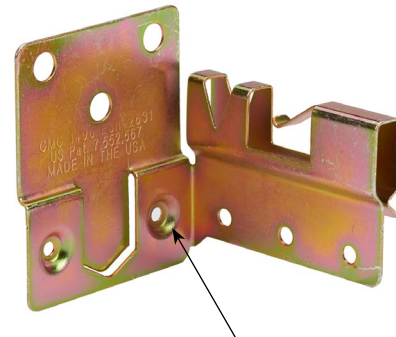


## Chicago Metallic® 1496.00 Seismic Perimeter Clip Installation Details

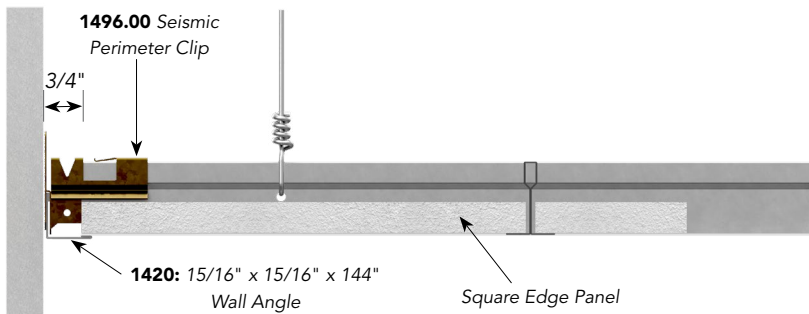
This guide includes different installation methods of using the Chicago Metallic® 1496.00 seismic perimeter clip. For more installation details, reference Rockfon ICCES document, ESR-2631.

One #7, 7/16" sharp point screw is required in the inner hole to secure the clip to the wall angle or shadow molding wall enclosures. All other details installed per ASTM E580. Consult with local engineer of record or authority having jurisdiction to verify compliance for your project.



Screw location - Use 1 - #7 Sharp Point Screw

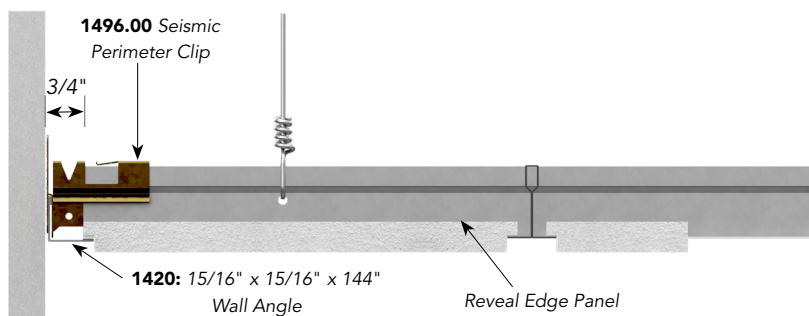
### 1496.00 with 1420 Wall Angle: Square Edge Panels



### Compatible Systems

- 200/250 Snap-Grid™ 15/16" Exposed (Seismic C)
- 1200/1250 Seismic 15/16" Exposed
- 4000/4550 Temptra™ 9/16" Exposed

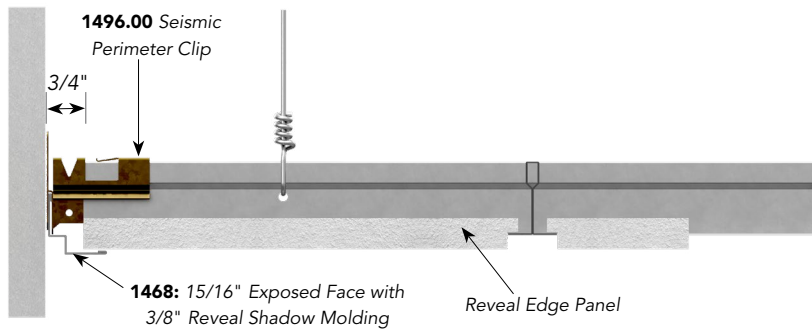
### 1496.00 with 1420 Wall Angle: Reveal Edge Panels



### Compatible Systems

- 200/250 Snap-Grid™ 15/16" Exposed (Seismic C)
- 1200/1250 Seismic 15/16" Exposed
- 4000/4550 Temptra™ 9/16" Exposed

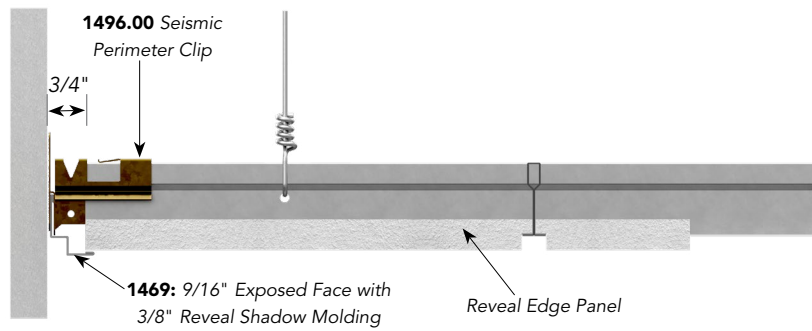
### 1496.00 with 1468 Shadow Molding: Reveal Edge Panels



### Compatible Systems

200/250 Snap-Grid™ 15/16" Exposed (Seismic C)  
1200/1250 Seismic 15/16" Exposed  
4000/4550 Tempra™ 9/16" Exposed

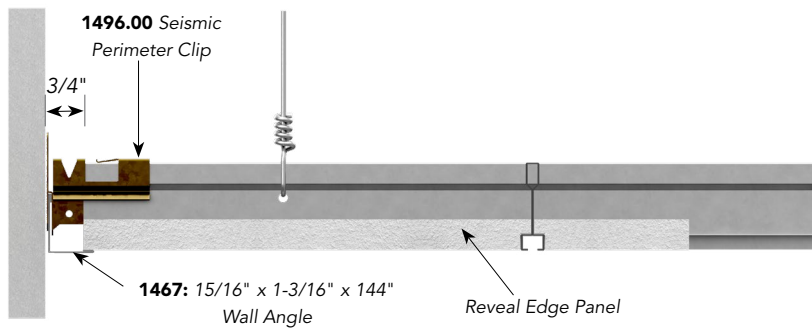
### 1496.00 with 1469 Shadow Molding: Reveal Edge Panels



### Compatible Systems

4000™ 9/16" Exposed Tempra

### 1496.00 with 1467 Wall Angle: Reveal Edge Panels



### Compatible Systems:

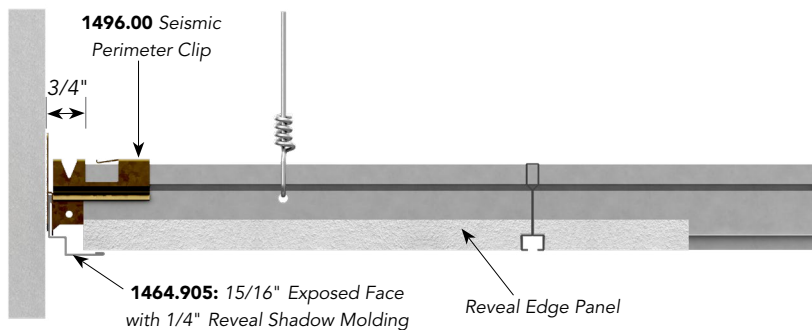
#### Ultraline™ / Integrity™

4500: 9/16" Exposed with 1/4" Reveal

4600: 9/16" Exposed with 1/8" Reveal

4200: 9/16" Exposed Double Reveal

### 1496.00 with 1464.905 Shadow Molding: Reveal Edge Panels



### Compatible Systems:

#### Ultraline™ / Integrity™

4500: 9/16" Exposed with 1/4" Reveal

4600: 9/16" Exposed with 1/8" Reveal

4200: 9/16" Exposed Double Reveal

### Have Questions?

Contact Rockfon Technical Support by calling **800-323-7164**, prompt 2 and we can provide assistance on your project.