

Table of Contents:

▪ System Overview.....	2	▪ Connecting to Soffit.....	5
▪ System Components.....	3	▪ Leveling.....	5
▪ Performance.....	3	▪ Connecting Baffles.....	5
▪ Installation.....	4		

Rockfon® Contour™ Baffle

Installation Guide

- Vertical free hanging frameless acoustical baffle system
- Quick and easy installation using design suspension kits
- Ideal solution when a suspended ceiling for technical or aesthetic reasons is not suitable
- A variety of shapes and sizes



System Overview

Rockfon Contour Baffle is a frameless acoustic baffle system consisting of a 2" stone wool baffles and metal wire suspension kit. Both sides of the baffle are covered with an aesthetically pleasing, smooth, matt white mineral fleece. The edges are painted and two fixing points have been embedded for easy and safe installation of the baffle.

Rockfon Contour® is suspended by an adjustable metal wire that can be fixed to the structure above or below an existing grid. The use of rigid hangers is prohibited.

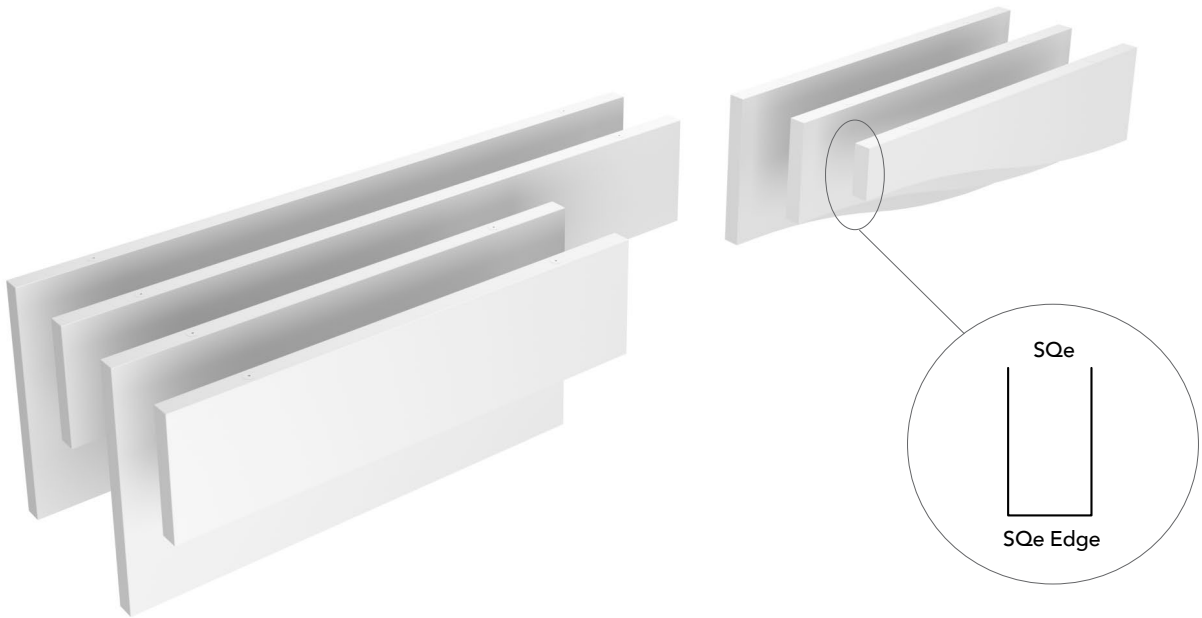
This system is ideal in rooms and buildings where the use of a traditional suspended ceiling is technically not appropriate or aesthetically unappealing (e.g., where skylight or tall windows are installed). It provides a flexible solution for the provision of noise absorption in new constructions and is ideally suited for room

acoustic improvements in existing buildings. An assortment of modular shapes and sizes lets you design with fascinating waves or playful patterns.

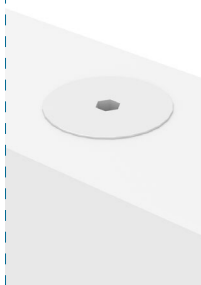
It is quick and easy to install.

Restrictions

Due to the risk of corrosion, the suspension accessories of Rockfon Contour Baffle should not be used in swimming pools or outdoor environments. Do not mount Rockfon Contour in static or rigid fixation or areas subjected to wind load and drafts. Always use the recommended wire suspension kit.



Steel screw eyes delivered along with the baffle.



Pre-embedded plugs for easy and safe installation.



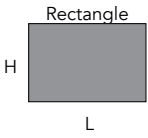
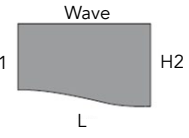
Rockfon has two suspension kit options with 59" adjustable metal wire and safe attachment hook.
1. Contour Classic suspension kit.
2. Contour Design suspension kit.



Spacer

System Components

Rockfon Contour is available in the following dimensions:

Rockfon Contour Baffles				
Shapes	Dimensions H x L x T (in)	Baffle/Box	Weight (lbs/baffle)*	Screw eyes included in the box (1 bag = 8 screw eyes)
	12" x 47.5" x 2"	8	5	2 bags
	24" x 47.5" x 2"	4	9.5	1 bag
	12" x 71" x 2"	8	7	2 bags
	24" x 71" x 2"	4	14.5	1 bag
	6"/12" x 47.5" x 2"	8	3.5	2 bags
	12"/18" x 47.5" x 2"	4	6	1 bag
	18"/24" x 47.5" x 2"	4	8.5	1 bag

*excl. the weight of anchor and screws: 0.07 lbs/baffle

Rockfon Contour should be installed using one of the Rockfon suspension kits, consisting of a 59" long metal wire and an adjustable safety attachment hook. Once assembled, the hook on the wire is attached to the screw eye in the baffle. Rockfon offers two suspension kits: the Classic Solution and the Design Solution, which is optimal for projects where aesthetics are important.

Rockfon Contour Classic Suspension Kit	
Units/Box	Weight (lbs/ctn)
12	1.15

Rockfon Contour Classic Suspension Kit can be secured using a setscrew appropriate for the supporting material (e.g., concrete, wood...)

Rockfon Contour Design Suspension Kit	
Pcs/Ctn	Weight (lbs/ctn)
12	1.5

Rockfon Contour Design Suspension Kit features a refined cylindrical capping that hides the screw thread and provides a visually appealing finish. It can be fastened using a setscrew appropriate for the supporting material.

Please note: Rockfon can only guarantee the integrity of the Rockfon Contour Baffle if it is installed with Rockfon screw eyes that come with the baffle.

Performance



System load bearing capacity

The maximum load per metal wire is 11 lbs.



Corrosion resistance

Due to the risk of corrosion, the suspension accessories of Rockfon System Contour Baffle should not be used in swimming pools or outdoor environments.

Installation

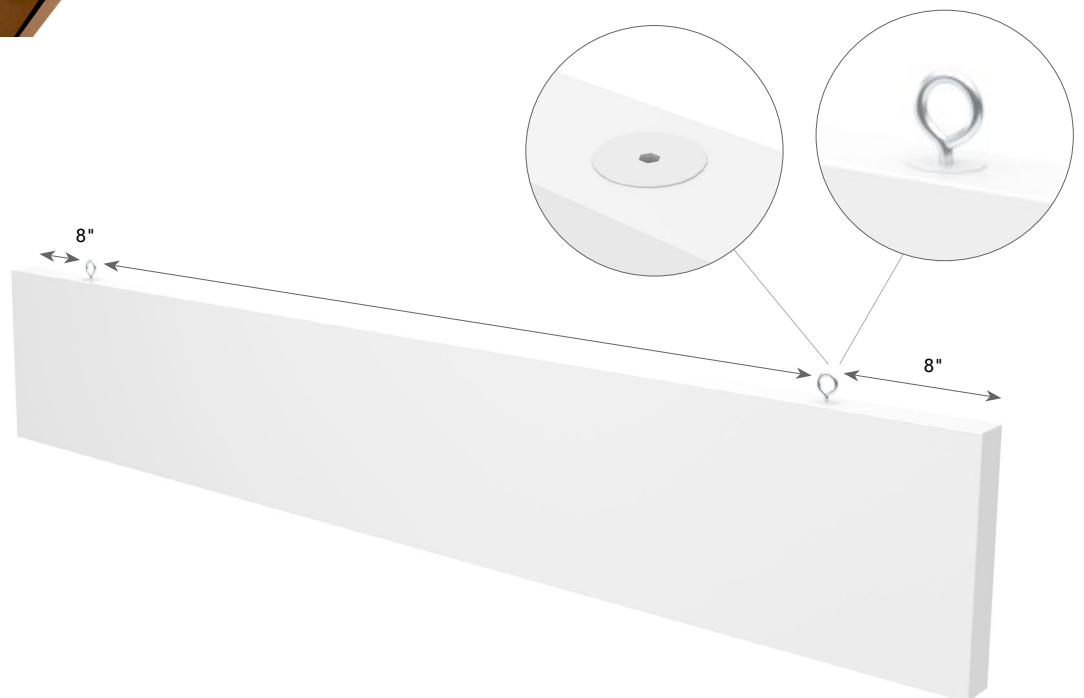
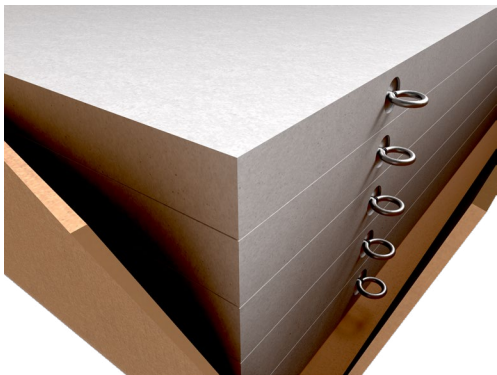
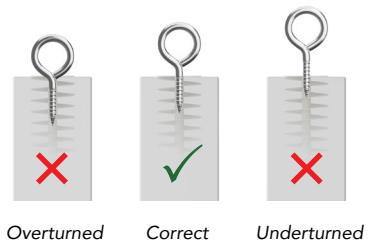
It is recommended to use gloves when installing Rockfon baffles in order to avoid finger prints and pollution of the surface.

For an optimized working environment, we recommend that installers always observe common workplace practices and follow the installation advise as shown on our packaging.

Fixing screw eyes to the baffle

Rockfon Contour is equipped with two plugs inserted 8" from the edge of the baffle. The screw eyes should be inserted carefully in the white plugs. Insert the screw eye till the thread is no longer visible and then give it another half turn.

Installation Tip - Insert screw eyes prior to removing baffles from box to minimize double handling.



Connecting Rockfon System Contour Baffle to the structure

Ensure that the structure is solid and has a load bearing capacity of at least 36 lbs.

Drill holes and attach the Classic or Design suspension kit to the structure. Slide the wire into the hook. The system locks automatically providing maximum safety. Ensure all hooks are correctly attached before raising the baffle to the required height. The maximum load per wire is 11 lbs.



Leveling

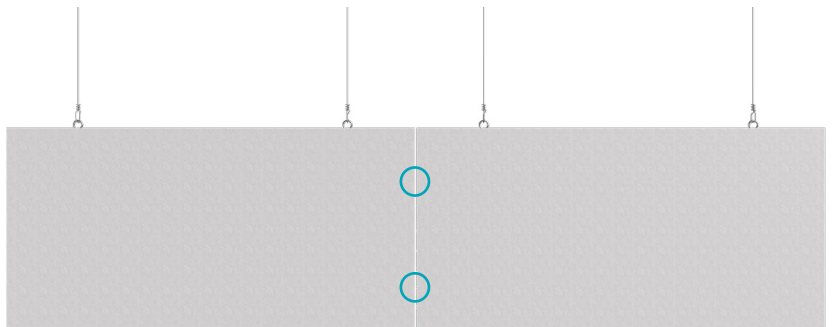
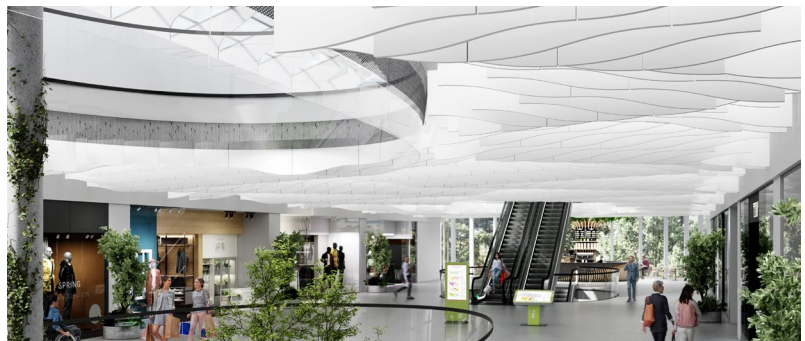
Adjust the height by using a level or laser.



Connecting Baffles

Rockfon does not recommend installing Rockfon Contour baffles with edges against each other. A min. gap of 1/4" between 2 baffles is recommended.

To ensure even distance between Contour baffles it is mandatory to use the Rockfon Contour Baffle spacer accessory (2 pcs per vertical side, except for the short edge (6") of Wave 48" x 6/12" x 2" variation). This will create an aesthetically pleasing 1/4" gap between the baffles.



The exact placement of the spacers is not critical to the function of the baffles. For uniformity, it is advised to install them the same across the installation. Recommended location is approximately 1/4 of the baffle side length from the top and bottom, leaving 1/2 of the baffle side length between the spacers.

Rockfon® is a registered trademark
of ROCKWOOL Group.

2024 | Subject to alterations in range and product technology without prior notice. Rockfon accepts no responsibility for printing errors.
® ROCKWOOL IAS 2022. All rights reserved. ® denotes a trademark that is registered in the United States of America.

040424



Rockfon
4849 S. Austin Ave.
Chicago, IL 60638 USA

Tel. +1-800-323-7164
cs@rockfon.com
rockfon.com