

## Rockfon Contour™ Baffles

### System Overview

#### Description

ROCKFON Contour is a frameless acoustic baffle made from a 2" stone wool panel. Both sides are covered with an aesthetically pleasing, smooth, matte white mineral fleece. The straight SQc edges are painted and two attachment points have been embedded in order to ease the installation of ROCKFON Contour.

#### Storage and handling

Boxes should be handled with care. Boxes should be stored in an upright, vertical position.

#### Site conditions

ROCKFON Contour baffles do not require acclimatization. Stone wool is dimensionally stable. The product can be installed in temperatures between 32°F/0°C and 104°F/40°C and under humidity conditions of up to 100%.

#### Handling

It is recommended to use clean gloves with a non-marking rubber/latex coating or polyethylene gloves when handling ROCKFON tiles to avoid contamination.

#### Restrictions

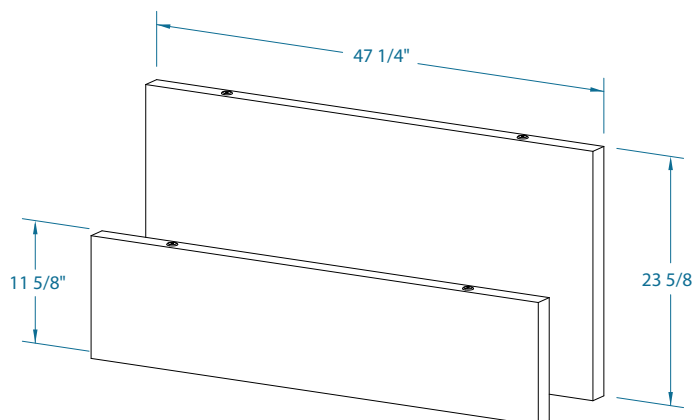
Due to the risk of corrosion of the suspension accessories, ROCKFON Contour baffles should not be used in swimming pools or outdoor environments. Furthermore, ROCKFON Contour should not be used in areas subjected to heavy wind loads and drafts. Failure to properly install ROCKFON baffles using ROCKFON guidelines will suspend all warranties.

#### Seismic

Due to code guidelines, ROCKFON baffles are not recommended for installation in any Seismic Design Category. Consult with a local engineer of record or authority having jurisdiction to verify acceptance for your project.

### ROCKFON Contour Sizes

Edge designation		Item number	Nominal Size
	SQc	7200	12" x 48" x 2"
	SQc	7225	24" x 48" x 2"

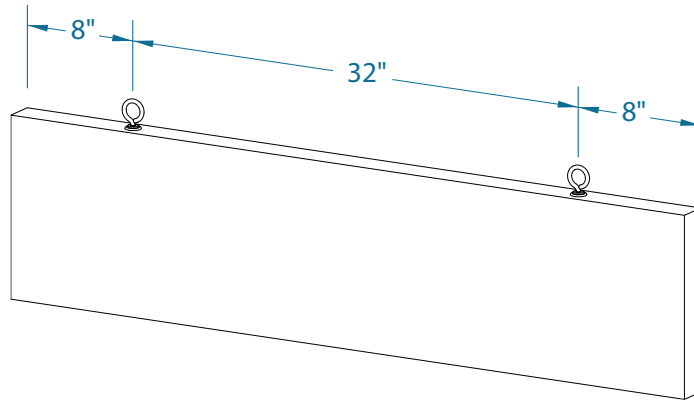
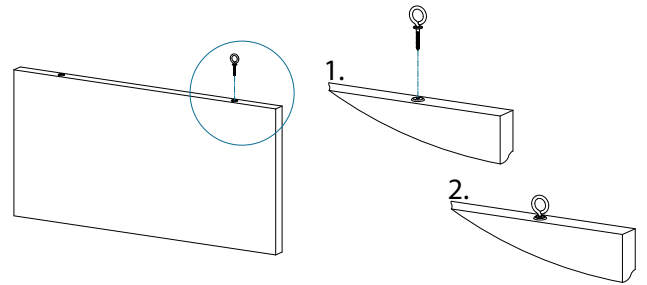


# Installation Guide

## Rockfon Contour™ Baffles

### 1. Installing eyelets into the baffle

The ROCKFON Contour baffle is equipped with two white plugs inserted 8" from the end of the baffle. The eyelets should be threaded carefully into the white plugs.



*Note: Measurements are rounded.*

### 2. Suspending baffles

ROCKFON Contour can be suspended with adjustable aircraft cables and gripples (refer to ROCKFON Accessories Data Sheet for suspension kits sold separately). Follow all local codes for deck anchors and attachment devices before use.

ROCKFON guarantees the installation of ROCKFON Contour only when installed as described in this guide and with the eyelets provided.

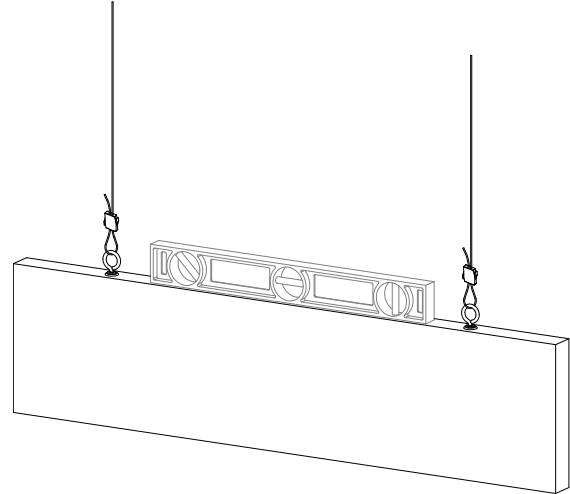


# Installation Guide

## Rockfon Contour™ Baffles

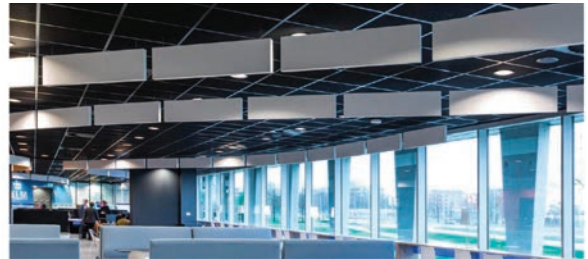
### 3. Leveling and alignment of baffle network

Adjust the height by using a level:



### 4. Installing ROCKFON Contour below an existing suspended ceiling

It is possible to attach ROCKFON Contour to existing 15/16" grid (check with the supplier if the grid can support the load of ROCKFON Contour) by using standard accessories sold by ceiling distributors (check with the supplier of the accessory if the fixing clip can support the load of the baffle).



### 5. Attaching the suspension system to the structure (e.g. concrete)

Ensure that the structure is solid and has a load bearing capacity of at least 22 lbs.