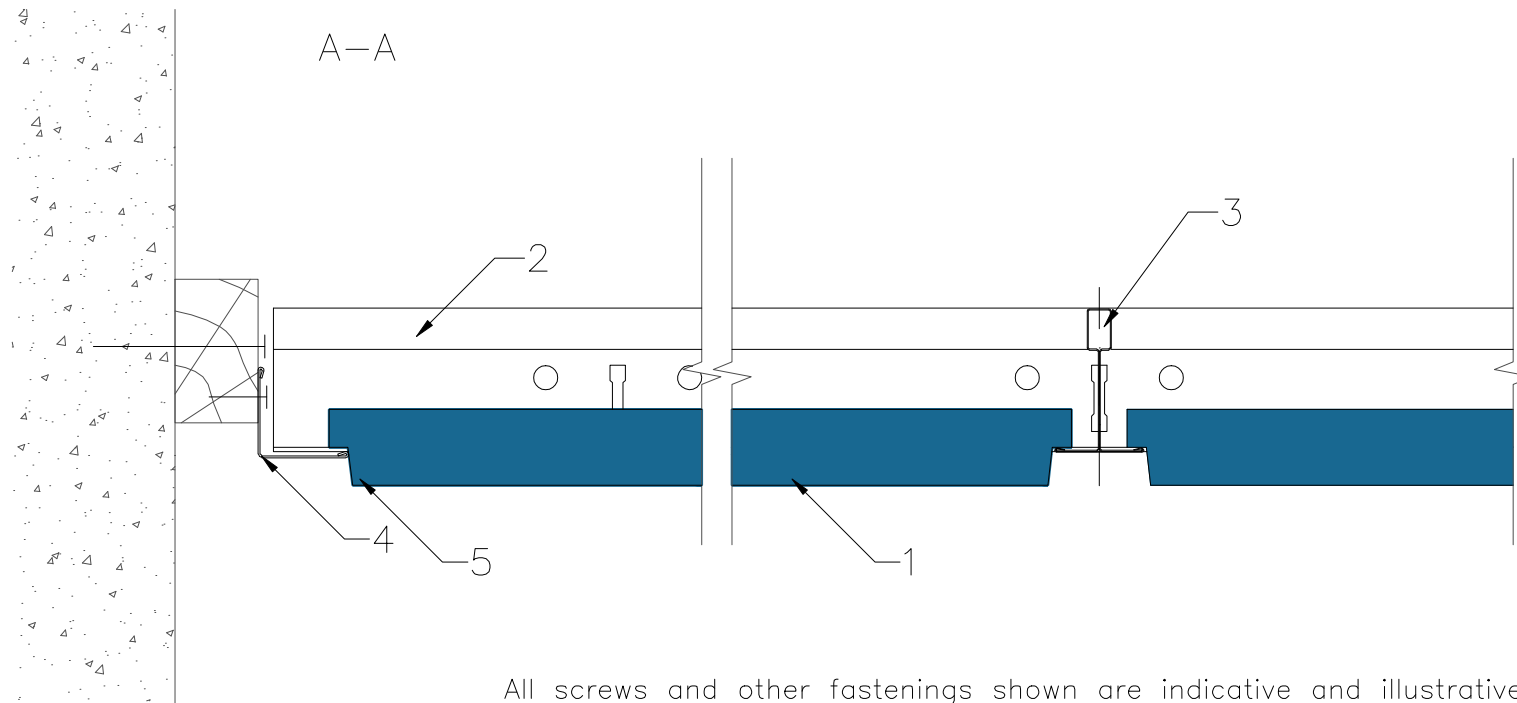


1. Tile ROCKFON, edge E24
2. Cross Tee T24 C38 1200 white
3. Cross Tee T24 C38 600 white
4. Wall Angle 24/24 3050 white on wooden lath
5. Edge cut with E-edge knife



All screws and other fastenings shown are indicative and illustrative only. Specific fasteners should be chosen dependent on substrates and materials being used.

Information: We kindly draw your attention to the fact that the above drawings should be considered as guidelines and therefore are without responsibility on the part of Rockfon.	Date: 10.01.2014		Drawing Type:	
	Drawing No.: 20.2.4.Rockfon T24 A/E		Drawn by:	Scale: 1:2
	Contact Information:			

