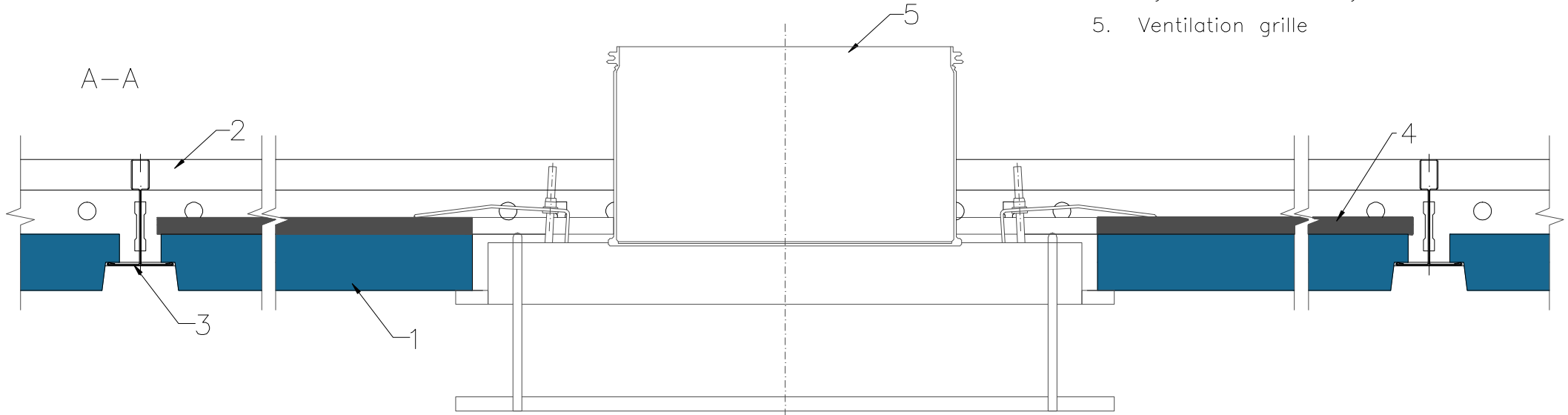


1. Tile ROCKFON, edge E
2. Mainrunner T24 C/H38 3600 white
3. Cross Tee T24 C38 1200 white
4. Plywood or similar yoke
5. Ventilation grille



This solution is applicable for grilles (services) weighing <3kg.  
Cut hole in tile and centre of yoke to match size and shape of grille. Fit grille into tile and yoke.

Plywood or similar yoke (4):  
Length = module size - 6mm,  
Min. width = grille  $\varnothing$  + 250mm,  
Min. thickness = 6mm for up to 600x600mm module,  
Min. thickness = 10mm for up to 1200x1200mm module.

All screws and other fastenings shown are indicative and illustrative only.  
Specific fasteners should be chosen dependent on substrates and materials being used.

Information: Ventilation grille integrated with yoke	Date: 10.04.2014		Drawing Type:	
	Drawing No.: 4.2.2.Lighting-ventilation-etc.		Drawn by:	Scale: 1:2
	Contact Information:			

We kindly draw your attention to the fact that the above drawings should be considered as guidelines and therefore are without responsibility on the part of Rockfon.