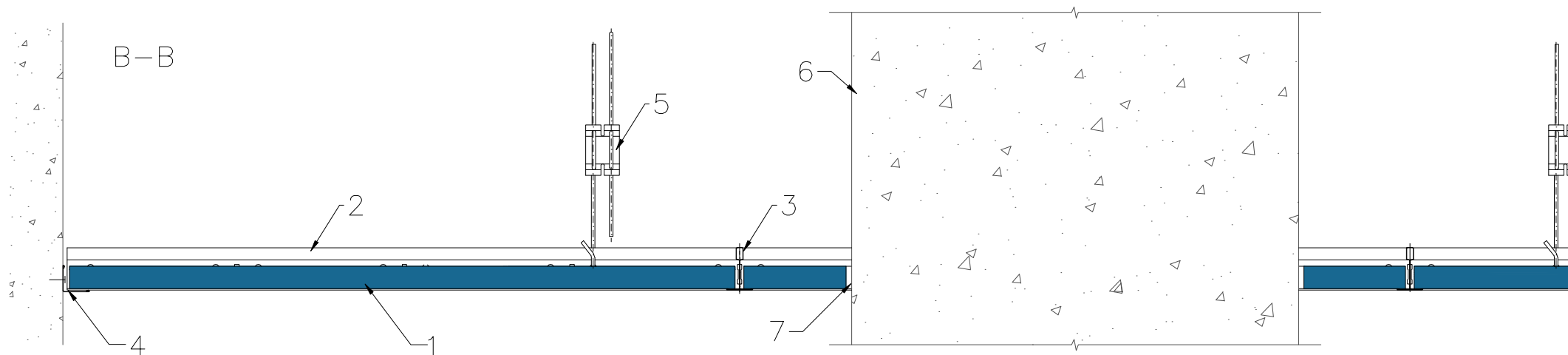
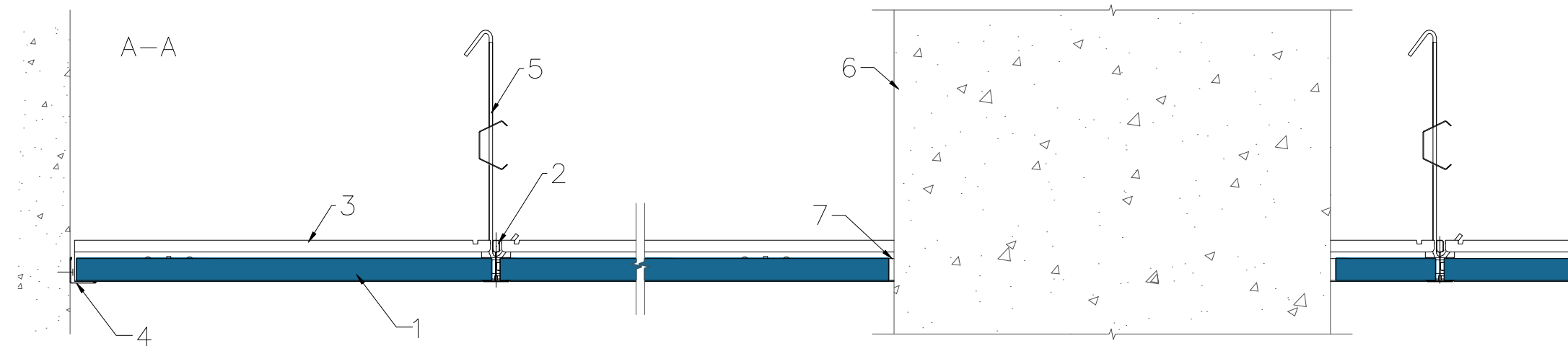


1. Tile ROCKFON, edge A
2. Mainrunner T24 C/H38 3600 white
3. Cross Tee T24 C38 1200 white
4. Wall Angle 24/24 3050 white
5. Adjustable hanger
6. Pillar
7. Air gap ~ 5–10 mm



All screws and other fastenings shown are indicative and illustrative only.
Specific fasteners should be chosen dependent on substrates and materials being used.

Information:
Pillars – cutout 5–10mm gap (only small pillars)

Date:
17.04.2014

Drawing Type:

Drawing No.:
7.1.4.Columns

Drawn by:

Scale:
1:5

Contact Information:

We kindly draw your attention to the fact that the above drawings should be considered as guidelines and therefore are without responsibility on the part of Rockfon.

Rockfon[®]