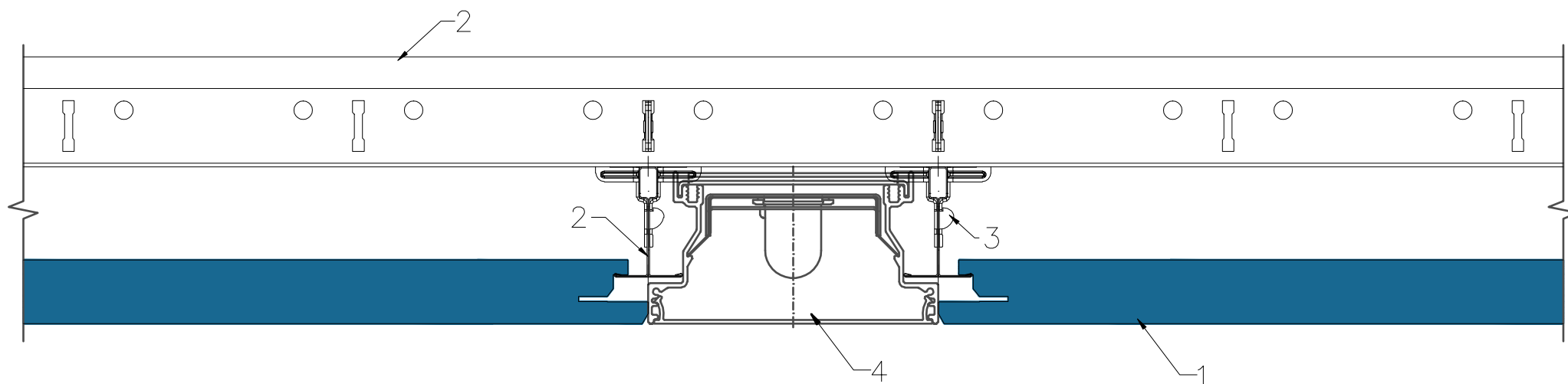


1. Tile ROCKFON, edge X 600x600x22mm
2. Mainrunner T24 C/H38 3600 white
3. DLC clip
4. Light armature

A-A



All screws and other fastenings shown are indicative and illustrative only.  
 Specific fasteners should be chosen dependent on substrates and materials being used.

Information: Light installation – solution with DLC clips	Date: 09.04.2014		Drawing Type:	
	Drawing No.: 4.1.12.Lighting-ventilation-etc.		Drawn by:	Scale: 1:2
	Contact Information:			

We kindly draw your attention to the fact that the above drawings should be considered as guidelines and therefore are without responsibility on the part of Rockfon Limited.

