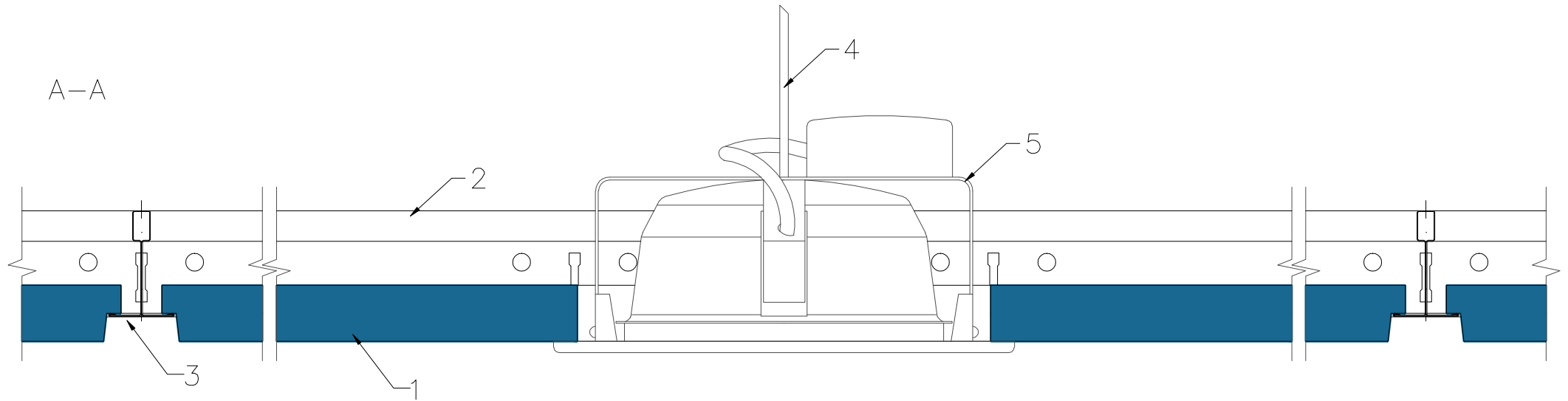


1. Tile ROCKFON, edge E
2. Mainrunner T24 C/H38 3600 white
3. Cross Tee T24 C38 1200 white
4. Suitable hanger
5. Light armature



This solution is applicable for lights (services) weighing >3kg.
 Cut hole in tile to match size and shape of light. Independently
 suspend light, making it stable and well balanced.

All screws and other fastenings shown are indicative and illustrative only.
 Specific fasteners should be chosen dependent on substrates and materials being used.

Information: Light installation – downlight independently suspended	Date: 08.04.2014		Drawing Type:	
	Drawing No.: 4.1.7.Lighting–ventilation–etc.		Drawn by:	Scale: 1:2
	Contact Information:			

We kindly draw your attention to the fact that the above drawings should be considered as guidelines and therefore are without responsibility on the part of Rockfon.

Rockfon[®]