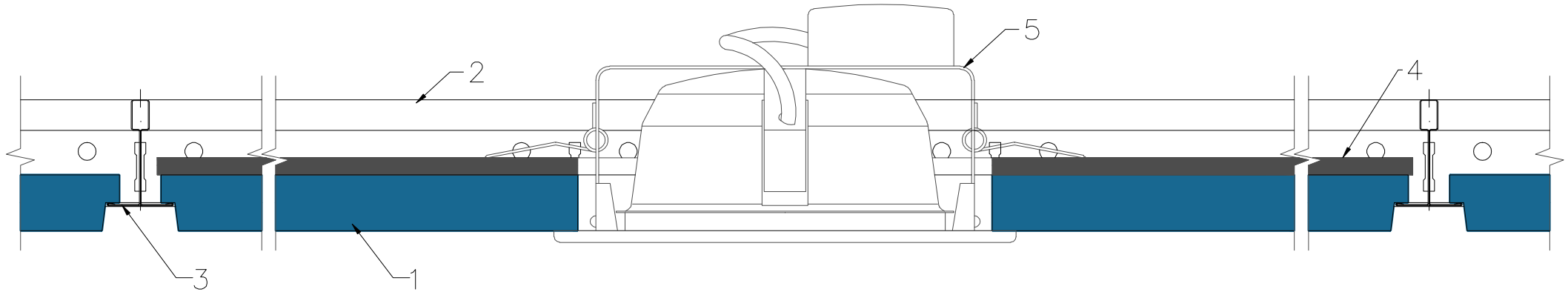


1. Tile ROCKFON, edge E
2. Mainrunner T24 C/H38 3600 white
3. Cross Tee T24 C38 1200 white
4. Plywood or similar yoke
5. Light armature

A-A



This solution is applicable for lights (services) weighing <3kg.
Cut hole in tile and centre of yoke to match size and shape of light. If using "out of balance" light, ensure overhang is in line with length of yoke. Fit light into tile and yoke.

Plywood or similar yoke (4):
Length = module size - 6mm,
Min. width = light ϕ + 250mm,
Min. thickness = 6mm for up to 600x600mm module,
Min. thickness = 10mm for up to 1200x1200mm module.

All screws and other fastenings shown are indicative and illustrative only.
Specific fasteners should be chosen dependent on substrates and materials being used.

| | | | | |
|---|---|--|---------------|---------------|
| Information: Light installation – downlight integrated with yoke | Date: 08.04.2014 | | Drawing Type: | |
| | Drawing No.: 4.1.5.Lighting–ventilation–etc. | | Drawn by: | Scale: 1:2 |
| | Contact Information: | | | |

We kindly draw your attention to the fact that the above drawings should be considered as guidelines and therefore are without responsibility on the part of Rockfon.

Rockfon[®]