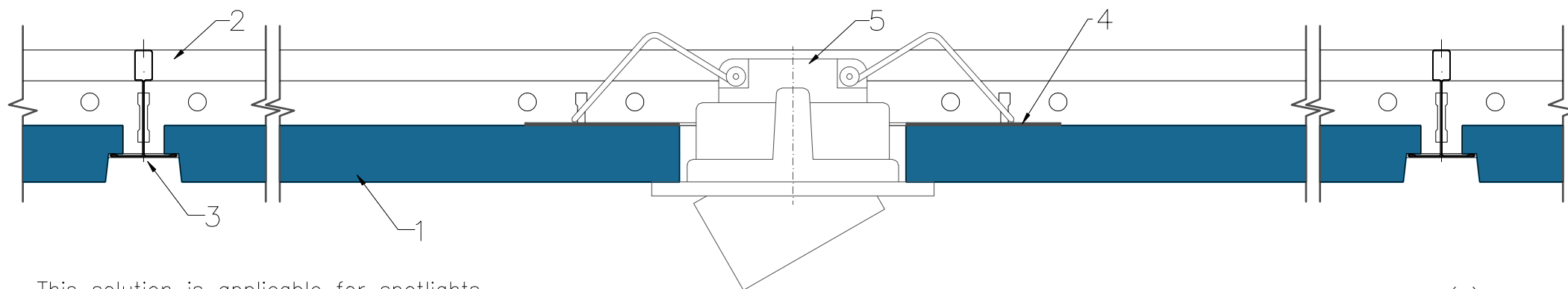


1. Tile ROCKFON, edge E
2. Mainrunner T24 C/H38 3600 white
3. Cross Tee T24 C38 1200 white
4. Metal or similar yoke
5. Light armature

A-A



This solution is applicable for spotlights (services) weighing <0,25kg. Cut hole in tile to match size and shape of light. Use small metal yoke to spread load on to back of tile. Fit light into tile and yoke.

Metal or similar yoke (4):
Min. $\phi = 2 \times \phi$ of light,
Min. thickness = 0,6mm.

All screws and other fastenings shown are indicative and illustrative only. Specific fasteners should be chosen dependent on substrates and materials being used.

Information: Light installation – spotlight integrated with yoke	Date: 07.04.2014		Drawing Type:	
	Drawing No.: 4.1.4.Lighting–ventilation–etc.		Drawn by:	Scale: 1:2
	Contact Information:			

We kindly draw your attention to the fact that the above drawings should be considered as guidelines and therefore are without responsibility on the part of Rockfon.

Rockfon[®]