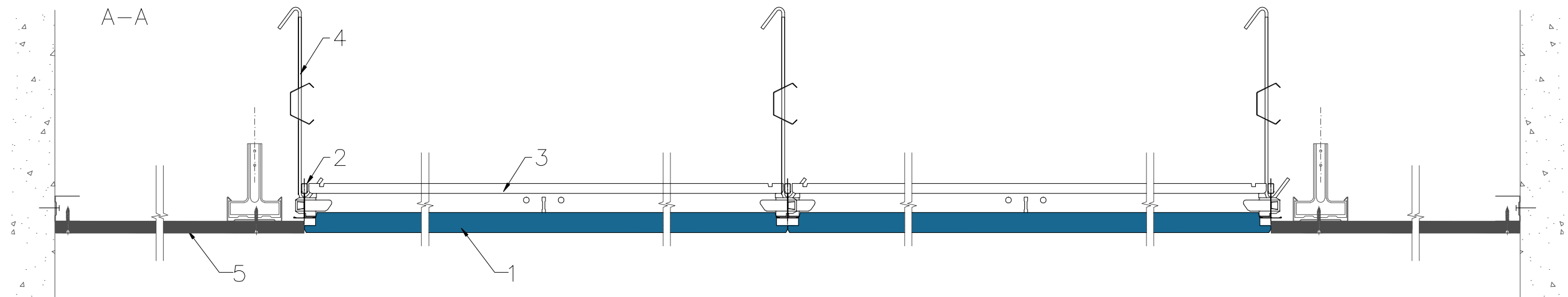


1. Tile ROCKFON, edge X
2. Mainrunner T24 C/H38 3600 white
3. Cross Tee T24 C38 1200 white
4. Adjustable hanger
5. Gypsum Frieze



All screws and other fastenings shown are indicative and illustrative only.
 Specific fasteners should be chosen dependent on substrates and materials being used.

Information: X-edge – gypsum frieze	Date: 31.03.2014		Drawing Type:	
	Drawing No.: 23.4.3.Corridors		Drawn by:	Scale: 1:5
	Contact Information:			

We kindly draw your attention to the fact that the above drawings should be considered as guidelines and therefore are without responsibility on the part of Rockfon.

