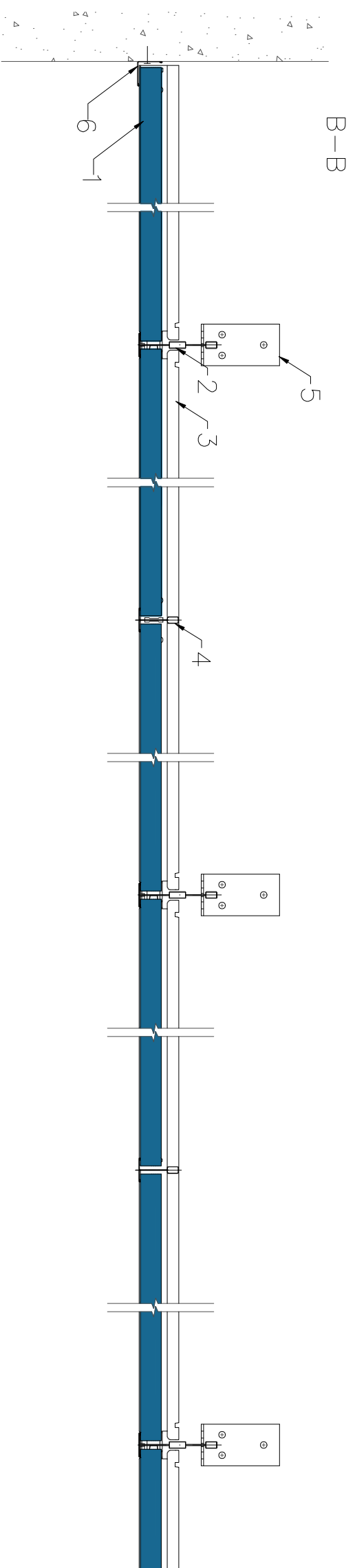
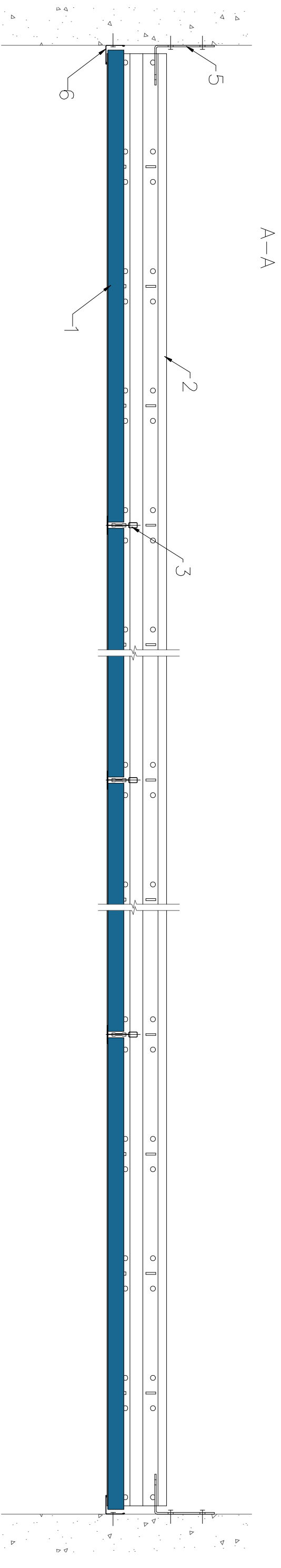


1. Tile ROCKFON, edge A
2. Mainrunner CMC 8280
3. Cross Tee T24 C38 1200 white
4. Cross Tee T24 C38 600 white
5. CMC 6021
6. Wall Angle 24/24 3050 white



All screws and other fastenings shown are indicative and illustrative only.  
 Specific fasteners should be chosen dependent on substrates and materials being used.

Information:

Espace solution till 2,5m, A-edge

We kindly draw your attention to the fact that the above drawings should be considered as guidelines and therefore are without responsibility on the part of Rockfon.

Date:  
01.04.2014

Drawing No.:  
23.1.3.Corridors

Contact Information:

Drawing Type:

Drawn by:

Scale:

1:5

**Rockfon®**