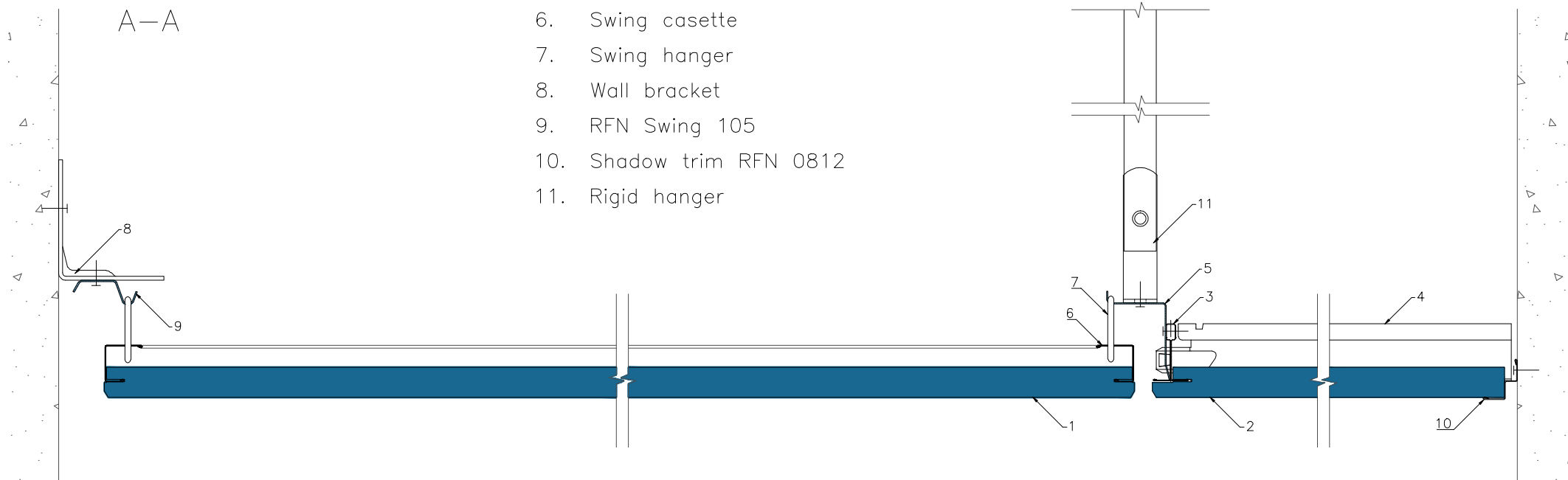


1. Tile ROCKFON, edge C
2. ROCKFON, edge D2
3. Mainrunner T24 C/H38 3600 white
4. Cross Tee T24 C38 600 white
5. RFN Swing 101
6. Swing cassette
7. Swing hanger
8. Wall bracket
9. RFN Swing 105
10. Shadow trim RFN 0812
11. Rigid hanger

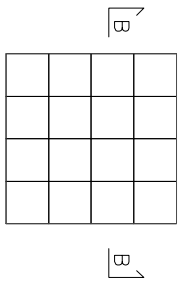


All screws and other fastenings shown are indicative and illustrative only.
 Specific fasteners should be chosen dependent on substrates and materials being used.

Information: Corridor Swing C-edge 600x600 Frieze D-edge 600x600, shadow trim	Date: 28.03.2014		Drawing Type:	
	Drawing No.: 23.2.2.Corridrs		Drawn by:	Scale: 1:2
	Contact Information:			

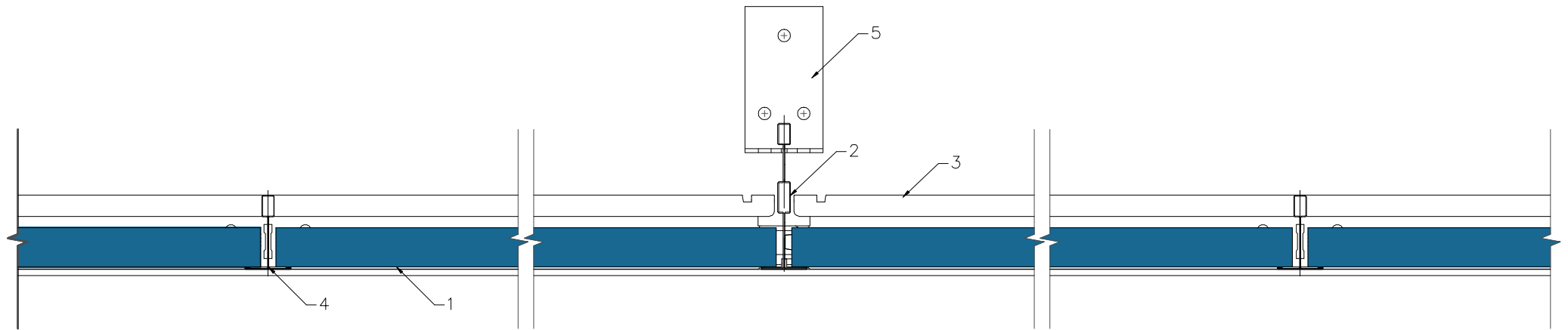
We kindly draw your attention to the fact that the above drawings should be considered as guidelines and therefore are without responsibility on the part of Rockfon.





1. Tile ROCKFON, edge A
2. Mainrunner CMC 8280
3. Cross Tee T24 C38 1200 white
4. Cross Tee T24 C38 600 white
5. CMC 6021

B-B



All screws and other fastenings shown are indicative and illustrative only.
 Specific fasteners should be chosen dependent on substrates and materials being used.

Information: Corridor A-edge 600x600x20 MaxiSpan Alu perimeter trim	Date: 29.03.2014		Drawing Type:	
	Drawing No.: 23.2.2.Corridors		Drawn by:	Scale: 1:2
	Contact Information:			

We kindly draw your attention to the fact that the above drawings should be considered as guidelines and therefore are without responsibility on the part of Rockfon.

Rockfon[®]