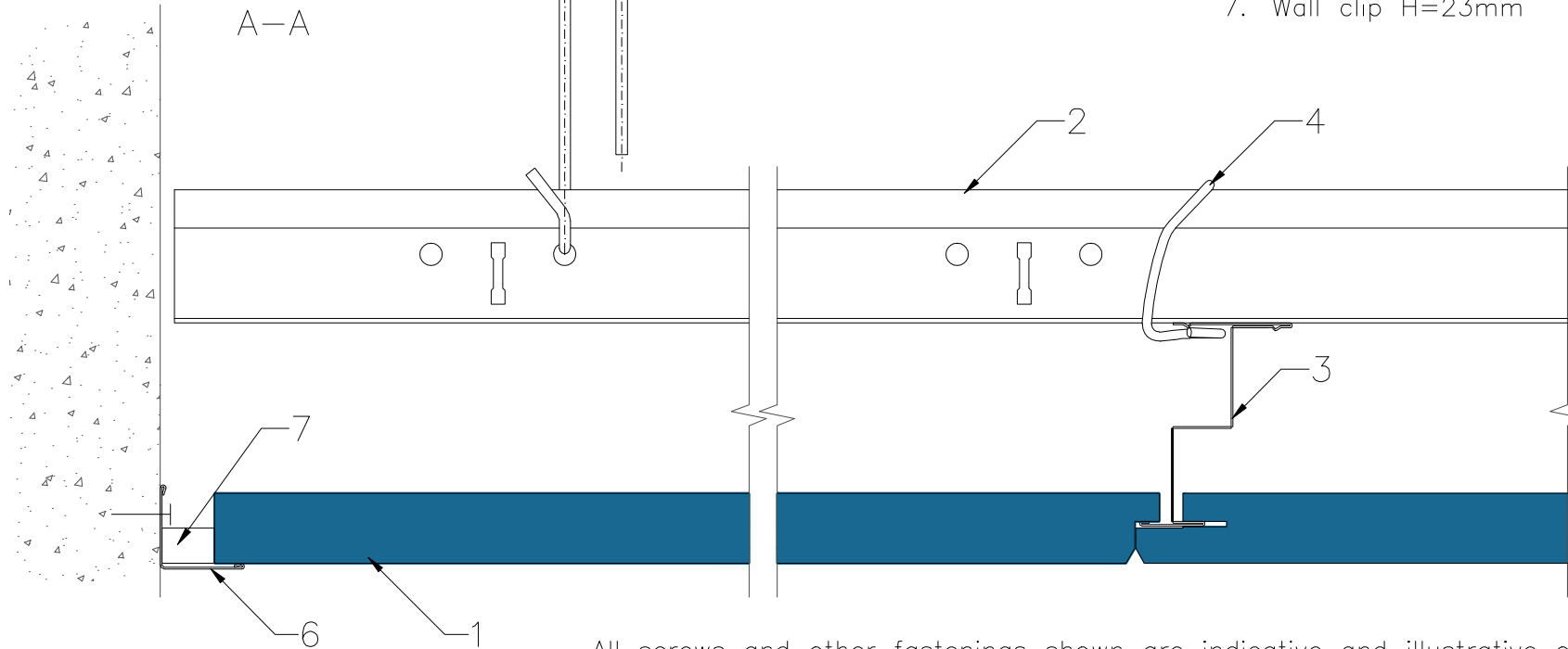


A-A



1. Tile ROCKFON, edge D
2. Mainrunner T24 C/H38 3600 white
3. Stepped Z-profile 58\*19\*4000
4. Wire clip for Z-pro with T24
5. Adjustable hanger
6. Wall Angle 24/24 3050 white
7. Wall clip H=23mm

All screws and other fastenings shown are indicative and illustrative only. Specific fasteners should be chosen dependent on substrates and materials being used.

Information:     We kindly draw your attention to the fact that the above drawings should be considered as guidelines and therefore are without responsibility on the part of Rockfon.	Date: 26.02.2014		Drawing Type:	
	Drawing No.: 12.1.2.Rockfon T24 stepped Z D		Drawn by:	Scale: 1:2
	Contact Information:			

