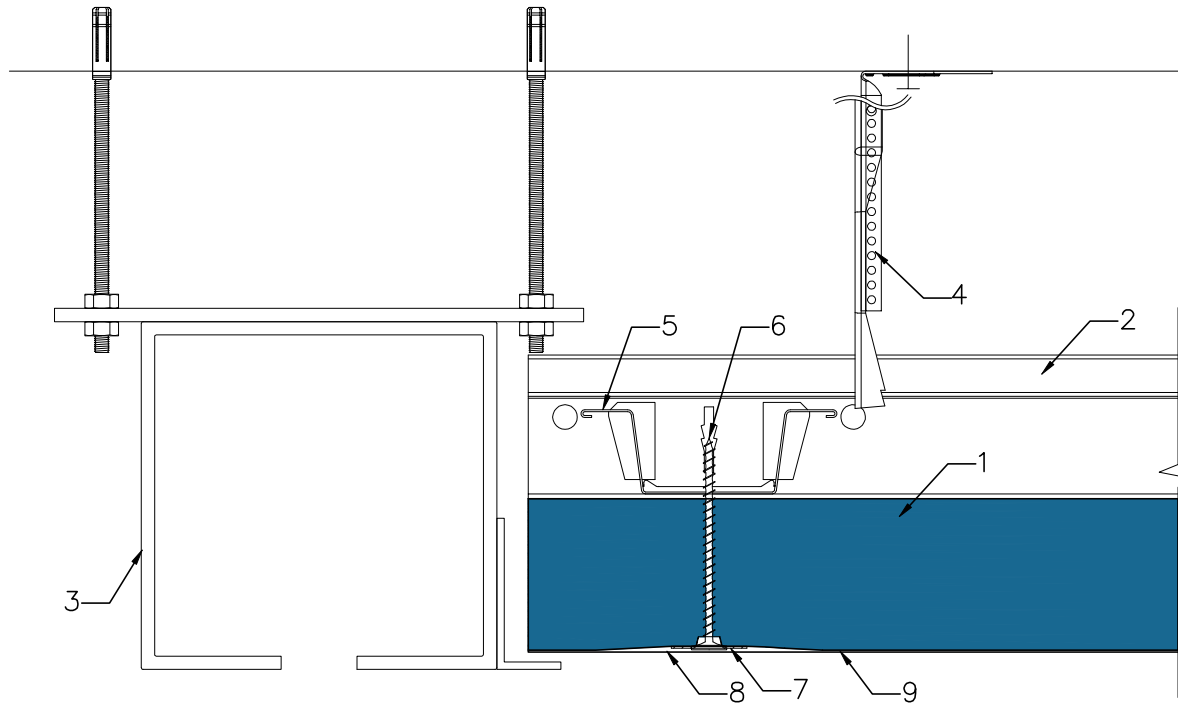


1. Rockfon® Mono® Acoustic panel
2. Monolithic main runner
3. Movable wall top support
4. Nonius Hanger
5. Monolithic furring channel
6. Standard screw
7. Fastening washer
8. Rockfon® Mono® Acoustic Filler
9. Rockfon® Mono® Acoustic Render



All screws and other fastenings shown are indicative and illustrative only.
Specific fasteners should be chosen dependent on substrates and materials being used.

Information: Rockfon® Mono® Acoustic	Date: 09.11.17	Drawing Type:	
Drawing name: Movable partition wall detail	Drawing No.: 8.5.34	Drawn by:	Scale: 1: 2
We kindly draw your attention to the fact that the above drawings should be considered as guidelines and therefore are without responsibility on the part of Rockfon.		Contact information:	

