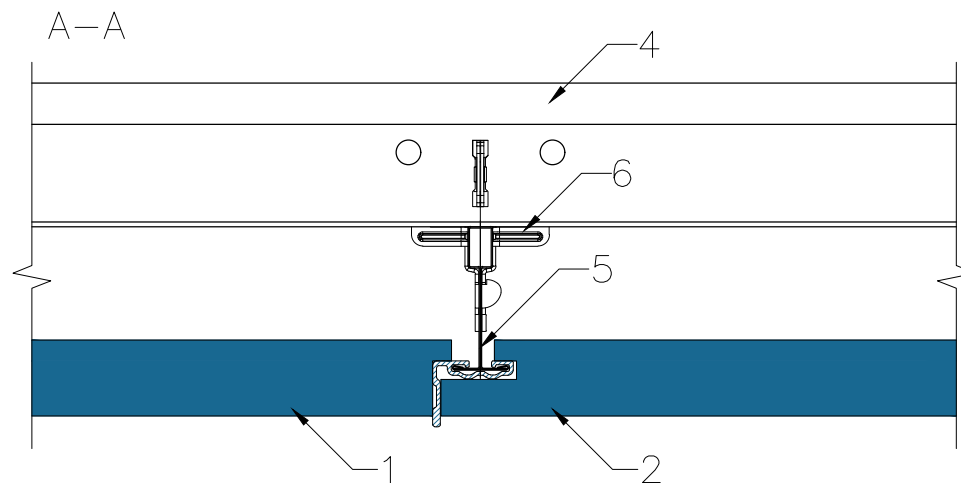


1. Tile ROCKFON, edge H1
2. Tile ROCKFON, edge H2
3. Tile ROCKFON, edge X2
4. Mainrunner T24 C/H38 3600 white
5. Fusion Aluprofile Forward version
6. DLC clip



All screws and other fastenings shown are indicative and illustrative only.
 Specific fasteners should be chosen dependent on substrates and materials being used.

Information:	Date: 19.01.2017	Drawing Type:	
	Drawing No.: 14.1.2.Rockfon Fusion H	Drawn by:	Scale: 1:2
	Contact Information:		

We kindly draw your attention to the fact that the above drawings should be considered as guidelines and therefore are without responsibility on the part of Rockfon.

ROCKWOOL
Rockfon[®]