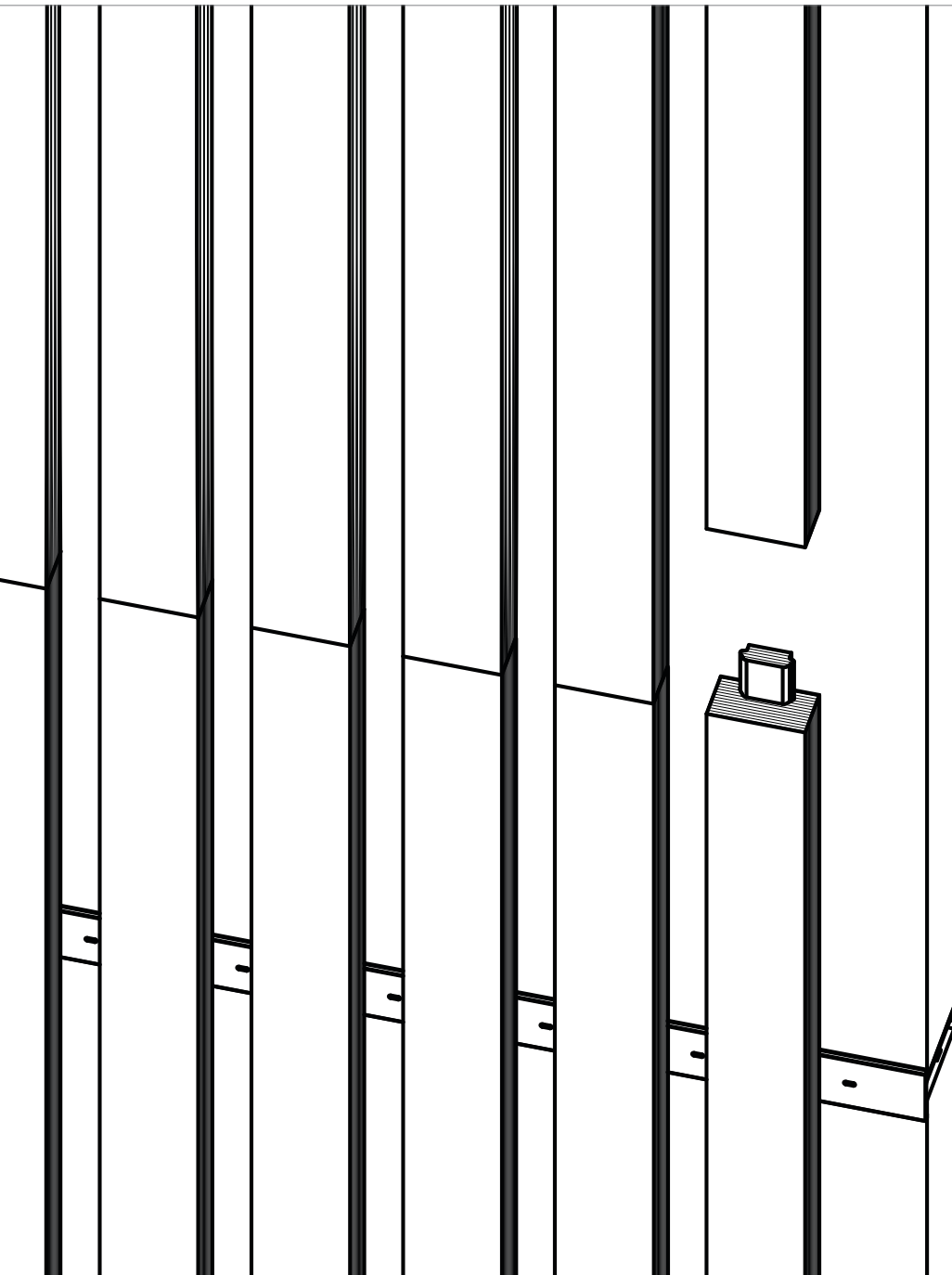


EXTENSION

# Rockfon<sup>®</sup> Lamella<sup>™</sup>

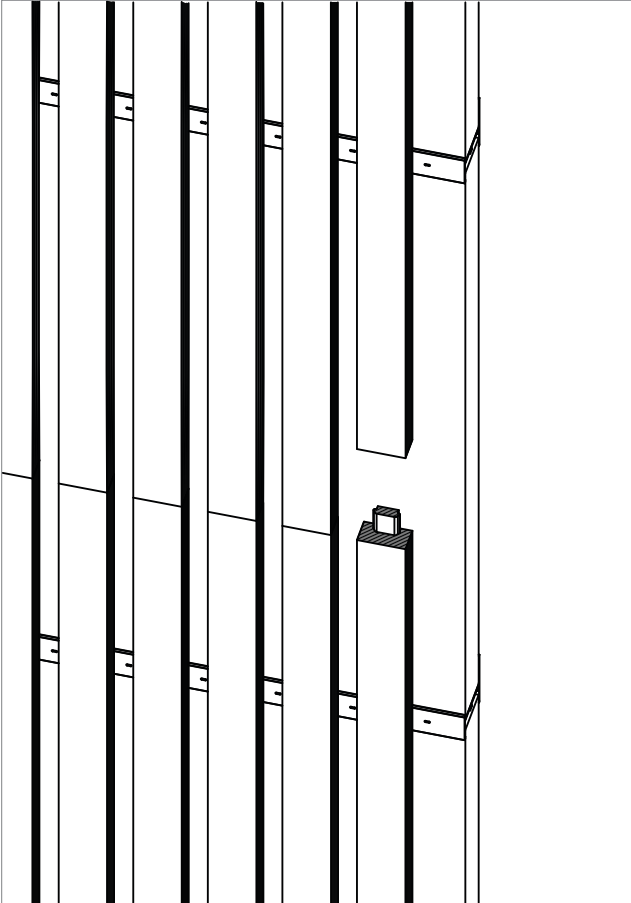
How to make slat extensions in multiple height installations.



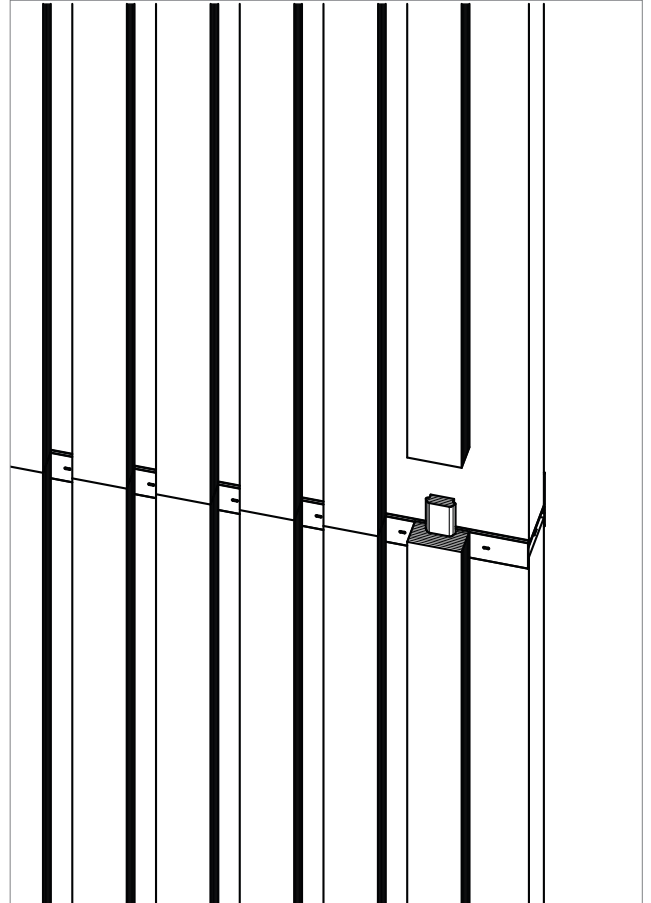
## Description

Slat extension.








**A: Extension – between horizontal profiles**



**B: Extension – on top of horizontal profile**



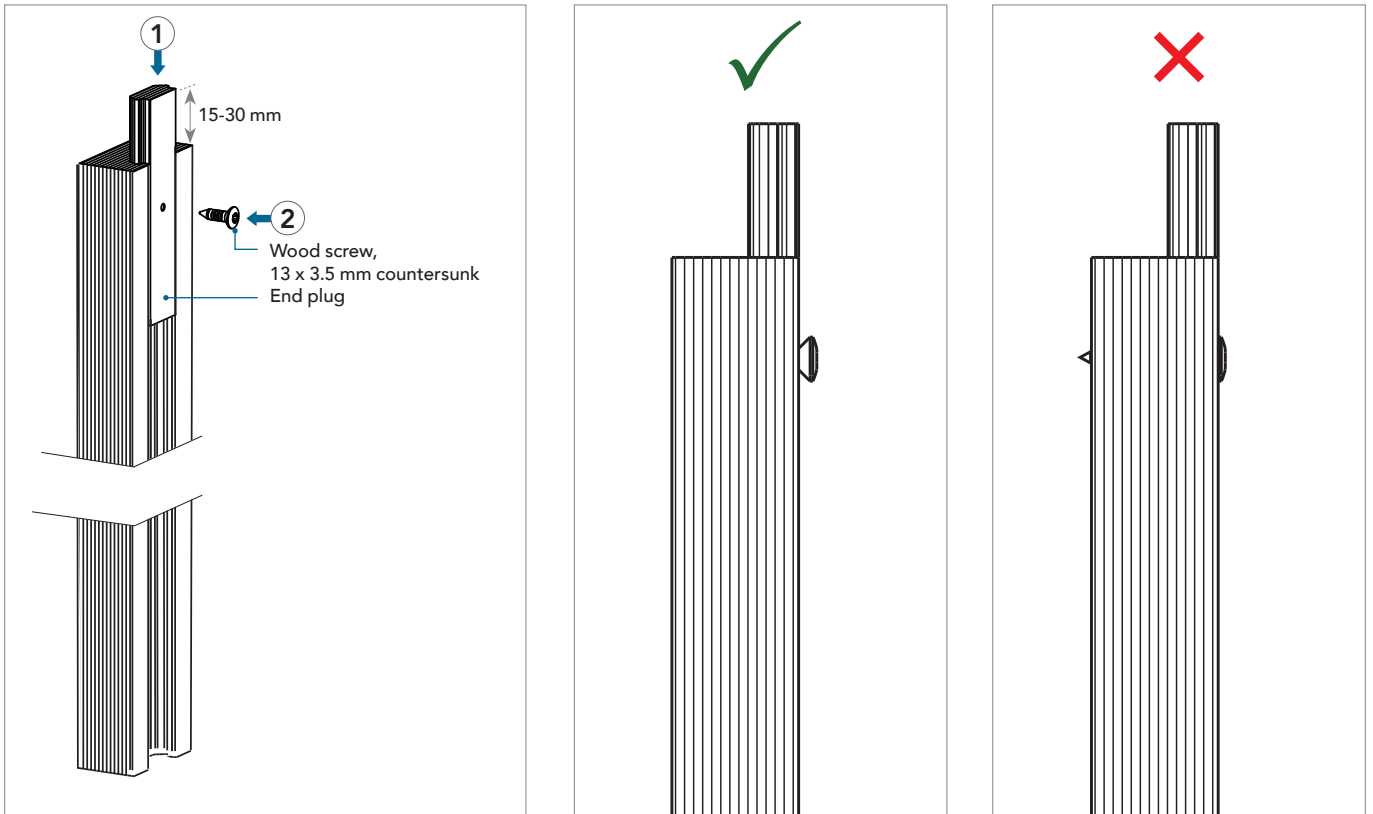
### Tool List

Tools	Drill Driver	Utility knife	Saw	Tape Measure	Laser	Level	Screwdriver
							

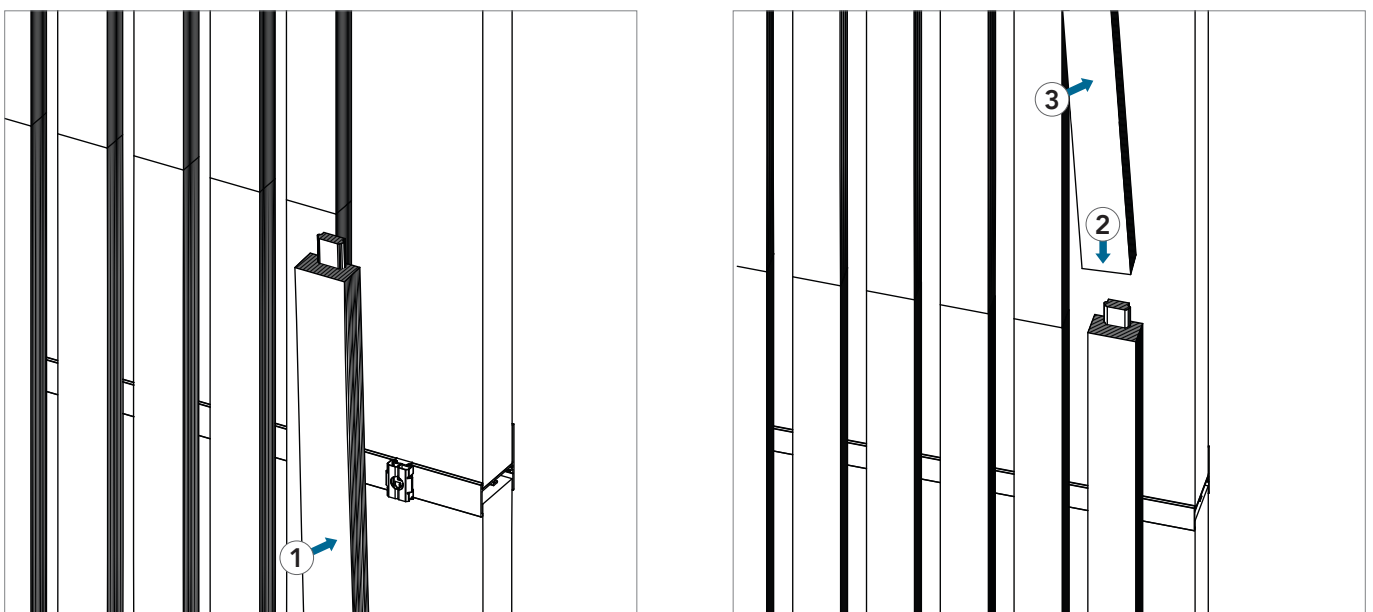
# Installation

## A: Extension – between horizontal profiles

1 Insert and fix end plug.

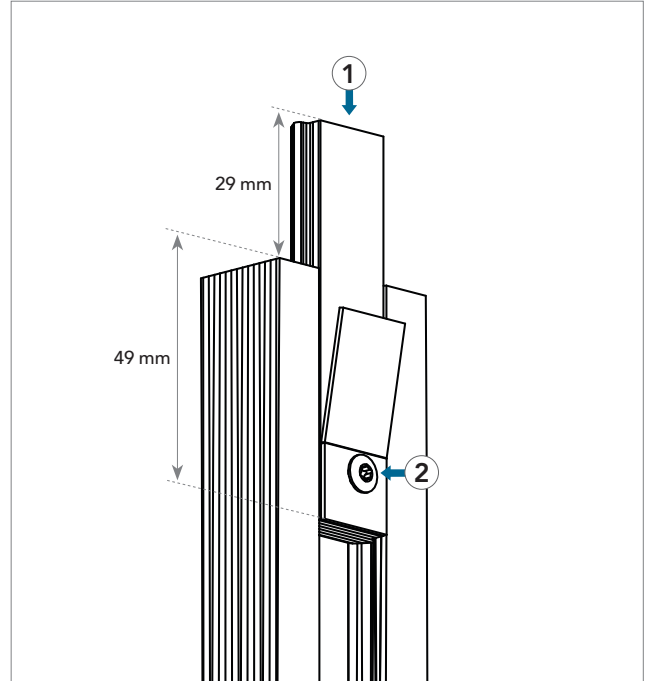
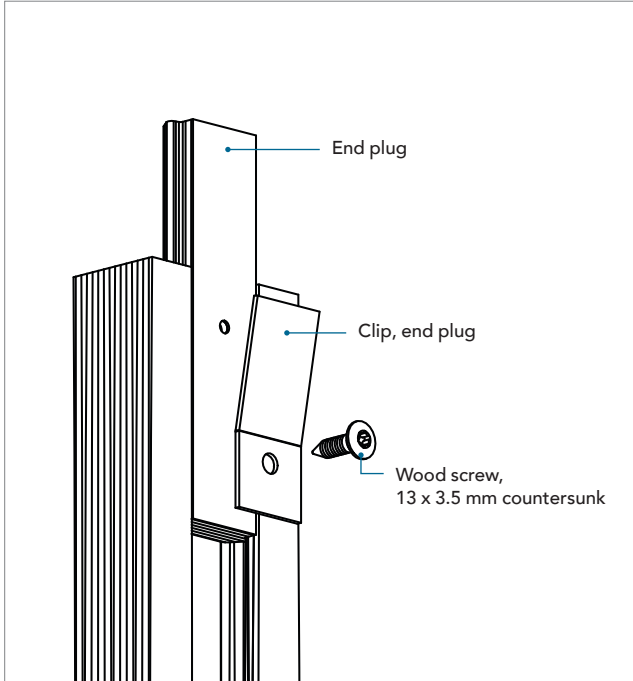


2 Mount slat on profiles and clips Slide top slat onto the end plug and mount top slat on clips.

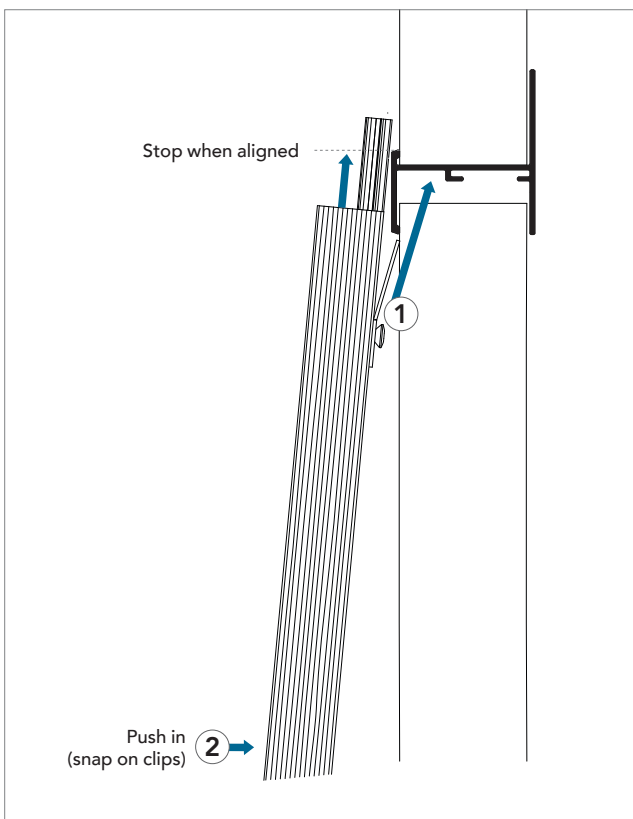


**B: Extension – on top of horizontal profile**

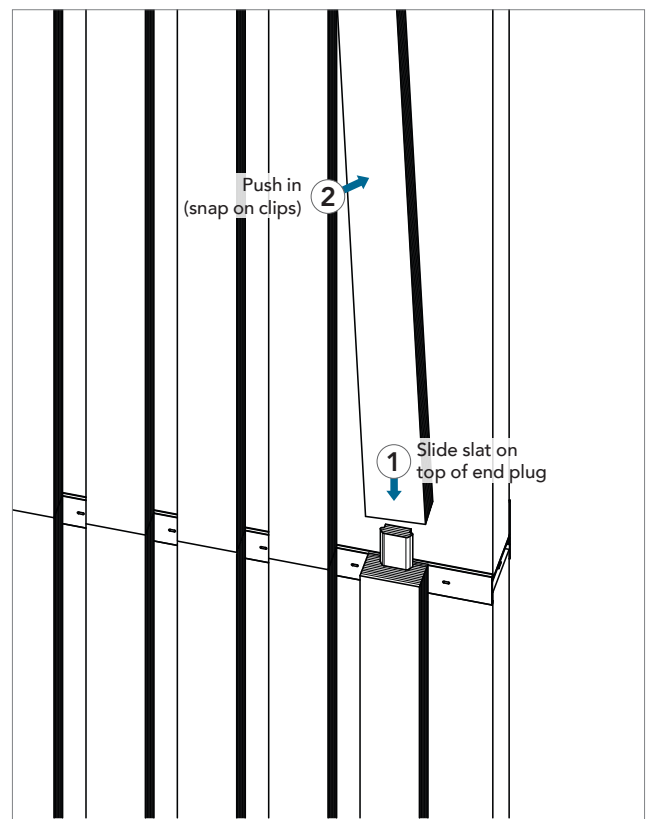
**1** Fit end plug and clip in the end of the slats.



**2** Mount the slat.



**3** Mount the slat.



01.2024 | All colour codes mentioned are based on the NCS - Natural Colour System® property of and used on license from NCS Colour AB, Stockholm 2012 or the RAL colour standard. Subject to alterations in range and product technology without prior notice. Rockfon accepts no responsibility for printing errors.

# Sounds Beautiful

