



Acoustic Hub system

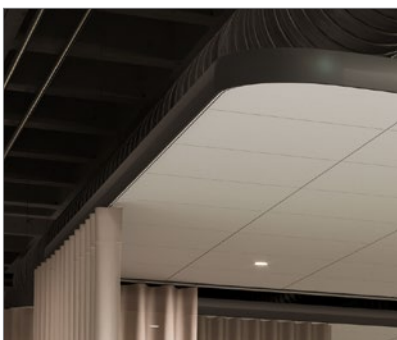
- The platform brings multipurpose flexibility to your interiors by creating breakout spaces where people can think, work or talk in peace
- The soft island shapes can be enhanced with a felt frame cover, mood lighting and curtains to create calm or cosy areas where people can work productively without disturbance
- Rockfon® Hub™ is delivered as a complete kit contributing to easy and hassle-free installation

Description

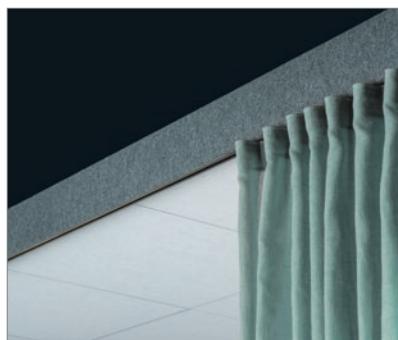
Rockfon Hub is an innovative and acoustic island platform for creating zones and space-in-space designs. Rockfon Hub is available in 4 standard dimensions and consists of a two-grooved black anodized frame – possible to be customized with felt - and concealed X-edge tiles in multiple colours. Curtains can be added as well. The platform is suspended to the soffit using subtle looking wire sets.

Restrictions

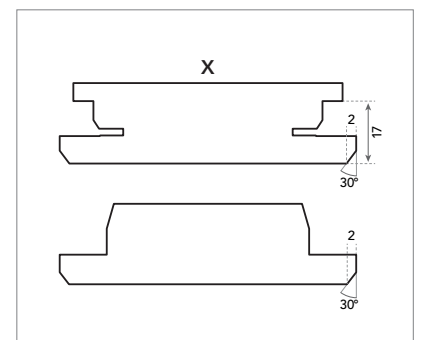
Due to the risk of corrosion, Rockfon Hub should not be used in swimming pools or outdoor environments. Furthermore, Rockfon Hub should not be used in areas subjected to wind load and drafts.



Matte black anodized finish.



Option to customize frame with different colours of felt.



Concealed grid system with the symmetric X-edge ensuring fast mounting in both directions.

System components and consumption guide

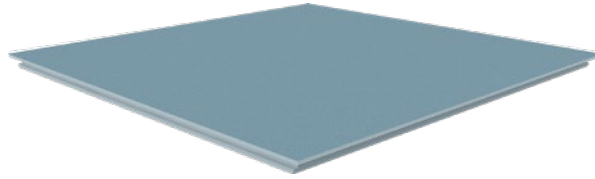
Tile		Profiles								Suspension		Chicago Metallic T24 Click 2890		
		1				2	3				4	5	6	7
X-edge (Rockfon Color-all)		Frame Profile Straight				Frame Profile Corner	Carrier Profile				Vertical Wire Set	Bracing Wire Set	Main runner T24 Click/Hook 3600	Cross tee T24 Click 600
		a	b	c	d		a	b	c	d				
600 x 600		1800	2400	3000	3600		868	1200	2976	3576				
Hub dimensions (mm)		Consumption/Unit												
3000 x 4800	40 pcs	2 pcs	-	-	2 pcs	4 pcs	4 pcs	-	4 pcs	-	16 pcs	8 pcs	8 pcs	6 pcs
3600 x 4200	42 pcs	-	2 pcs	2 pcs	-	4 pcs	4 pcs	-	-	3 pcs	13 pcs	8 pcs	10 pcs	8 pcs
4800 x 4800	64 pcs	-	-	-	4 pcs	4 pcs	6 pcs	4 pcs	-	4 pcs	18 pcs	8 pcs	14 pcs	12 pcs
4800 x 7200	96 pcs	-	-	4 pcs	2 pcs	4 pcs	6 pcs	6 pcs	-	6 pcs	24 pcs	8 pcs	21 pcs	18 pcs

Accessories											
	8	9	10	11	12	13	14	15	16	17	
-	Frame Profile Coupling	Coupling Screw	Profile Connector	Inter Connector R	Intersection Clip	M6 Hammer Head Screw	Cutting Template	Felt Cover*	Curtain**	Curtain Rollers*	
Dimensions (mm)	Consumption/Unit										
3000 x 4800	16 pcs	32 pcs	8 pcs	32 pcs	24 pcs	24 pcs	1 pcs	optional	optional	optional	
3600 x 4200	16 pcs	32 pcs	8 pcs	28 pcs	25 pcs	25 pcs	1 pcs	optional	optional	optional	
4800 x 4800	16 pcs	32 pcs	16 pcs	40 pcs	42 pcs	42 pcs	1 pcs	optional	optional	optional	
4800 x 7200	20 pcs	40 pcs	22 pcs	48 pcs	56 pcs	56 pcs	1 pcs	optional	optional	optional	

* supplied by Rockfon

** not supplied by Rockfon. Please contact Rockfon for more details.

Tile - X Edge



Profiles

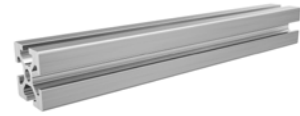
1. Frame Profile Straight



2. Frame Profile Corner



3. Carrier Profile



Suspension

4. Vertical Wire Set
(l=3500 mm / Ø2.00 mm)



5. Bracing Wire Set
(l=3500 mm / Ø2.00 mm)



Chicago Metallic T24 Click 2890

6. Main runner T24 Click/Hook 3600



7. Cross tee T24 Click 600



Accessories

8. Frame Profile Coupling



9. Coupling Screw



10. Profile Connector



11. Inter Connector R



12. Intersection Clip



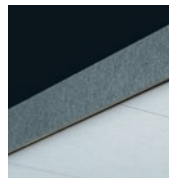
13. M6 Hammer Head Screw



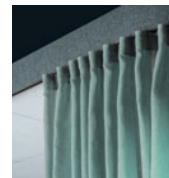
14. Cutting Template



15. Felt Cover*



16. Curtain**



17. Curtain Rollers*



Tool List

Tools	Drill machine	Screw machine	Ruler	Allen key	Wrench	Metal shears	Laser	Utility knife	Felt tool (optional)	Gloves	Level
Size	-	-	-	2,5 / 4	10 / 13 / 14	-	-	-	-	-	-

* supplied by Rockfon

** not supplied by Rockfon. Please contact Rockfon for more details.

Compatible Tiles Overview

Only Rockfon X-edge tiles can be used for Rockfon Hub.

		Dimensions (mm)
Tiles	Thickness (mm)	600 x 600
Rockfon® Blanka™	22	•
Rockfon Color-all®*	22	•

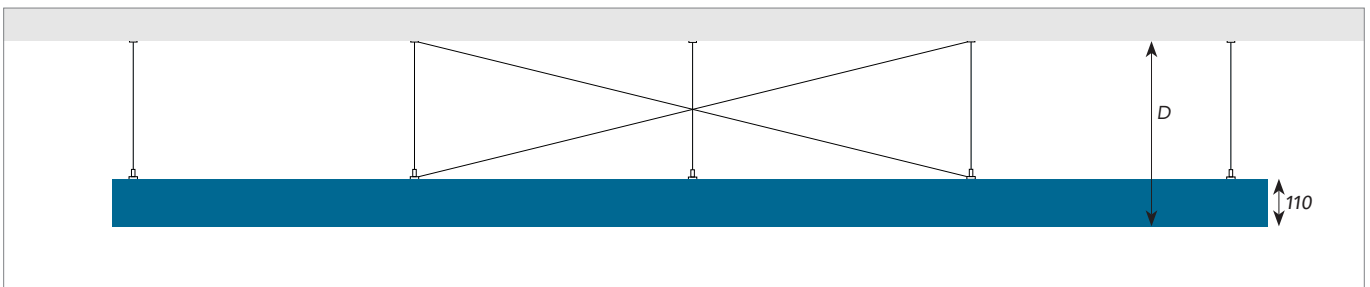
*For Rockfon Color-all we pre-selected several colours to match with the felt.

System suspension height (mm)

Tiles and grid mounted in Rockfon Hub are fully demountable.

The suspension height is defined as the distance from the bottom of the frame to the soffit.

	D = Distance between soffit and bottom of the frame
mm	
Min.	250
Max.	1500



Installation

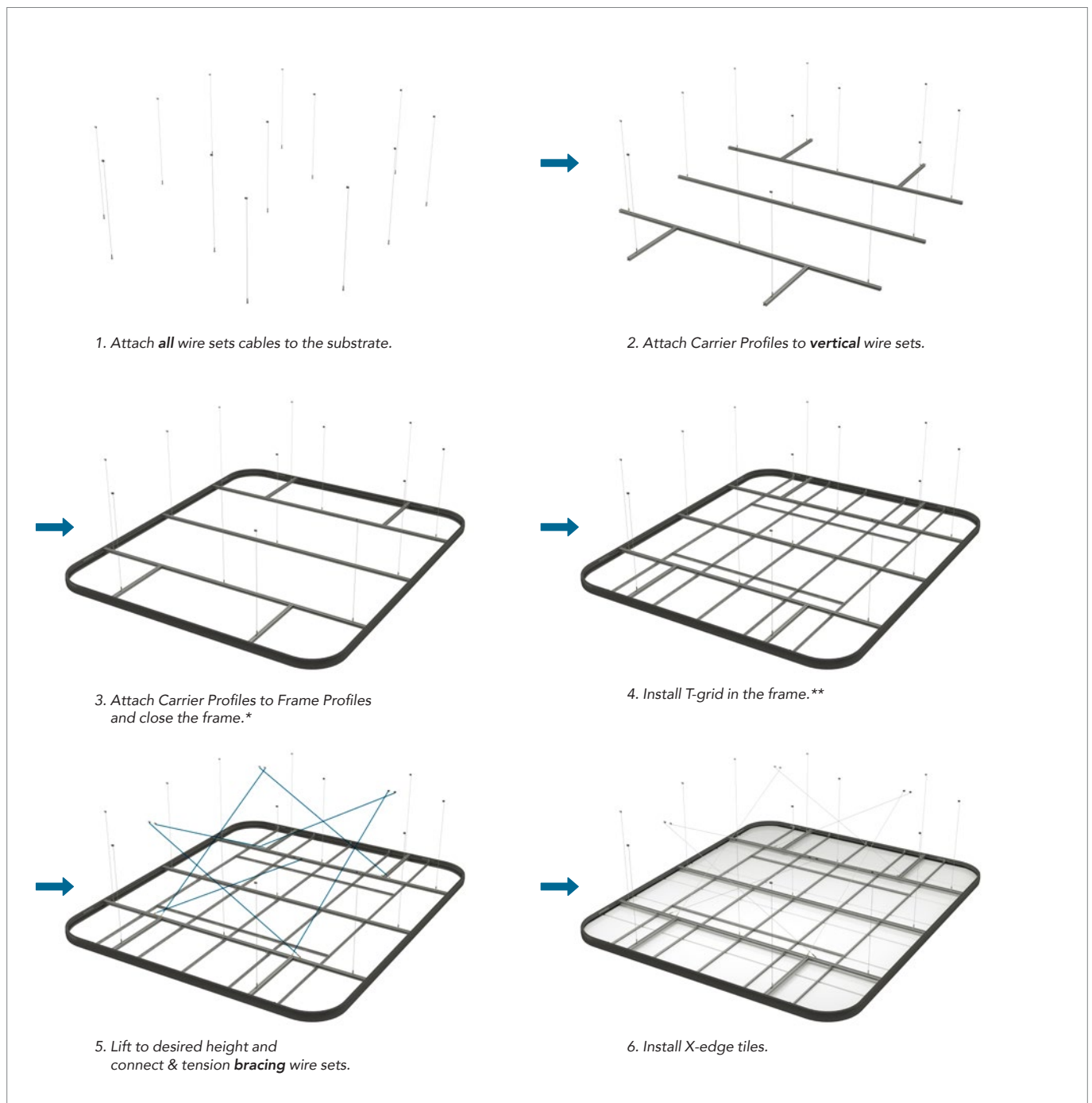
Ensure that the correct mounting fixings for the ceiling substrate are available. A break load of 200kg/suspension point is strongly recommended.

The installation of Rockfon Hub can be done at waist level (see step 2). If the platform is assembled on the floor (not recommended),

a work blanket should be used to prevent the Frame Profiles from being damaged.

For off-floor assembly (recommended), consider the ideal workheight for the installer. After assembly, Rockfon Hub can be lifted and leveled with a laser.





Quick installation for mounting Rockfon Hub



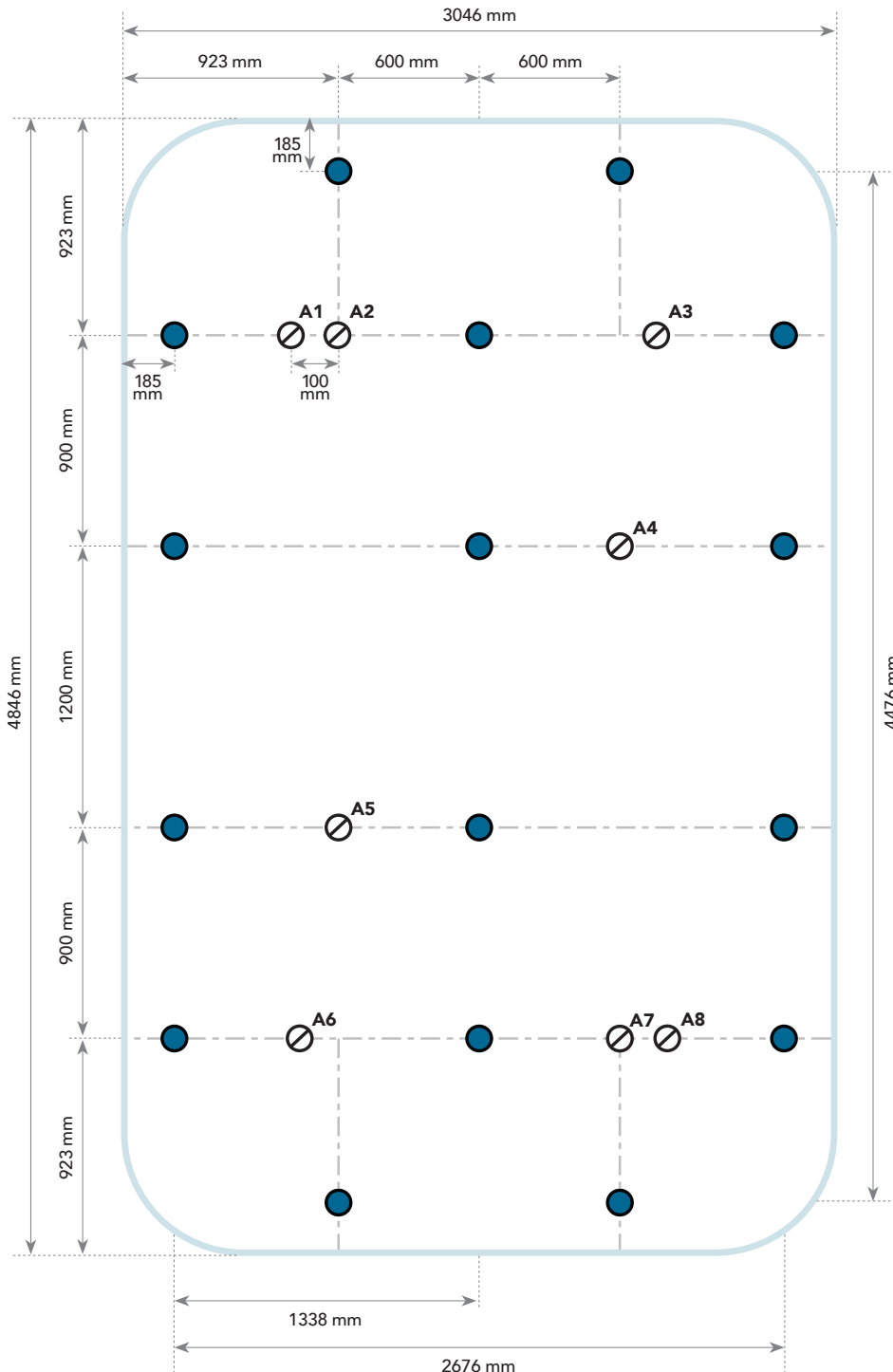
* If using curtains, insert curtain rollers before closing the frame

** If using felt cover, insert here (before lifting)

1. 3000 x 4800


-  Frame Profile
-  Carrier Profile
-  Vertical Wire Set
-  Bracing Wire Set

1 Mark and drill suspension points in the soffit.







Ceiling drilling plan.

When attaching the suspension sets, ensure to distinguish between vertical and bracing wire sets.

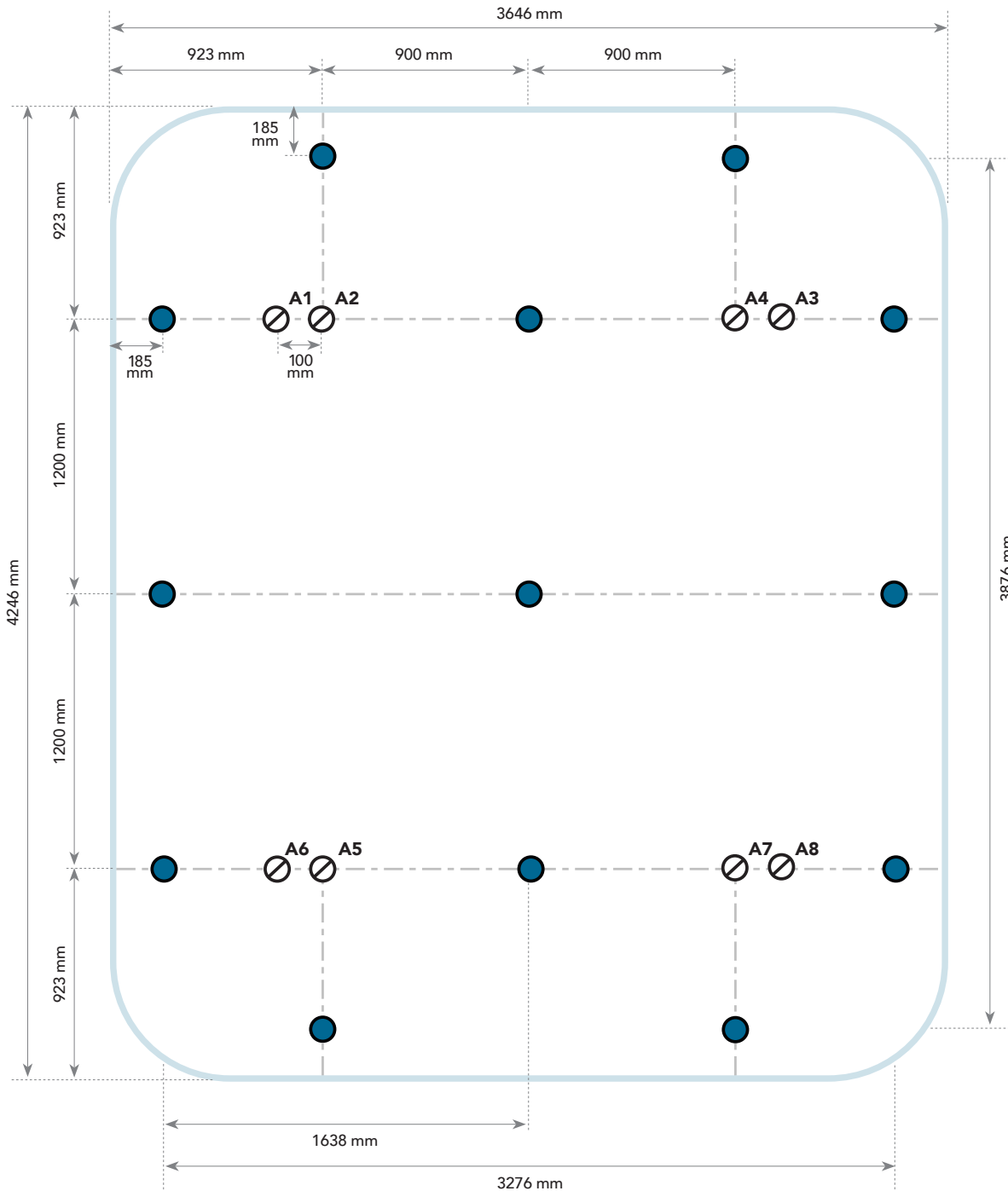
ATTENTION 

To attach the suspension, the end of the ceiling anchors needs to be M8. These anchors are not supplied by Rockfon. The holes in the suspension are Ø8.2 mm.

2. 3600 x 4200


-  Frame Profile
-  Carrier Profile
-  Vertical Wire Set
-  Bracing Wire Set

1 Mark and drill suspension points in the soffit.







Ceiling drilling plan.

When attaching the suspension sets, ensure to distinguish between vertical and bracing wire sets.

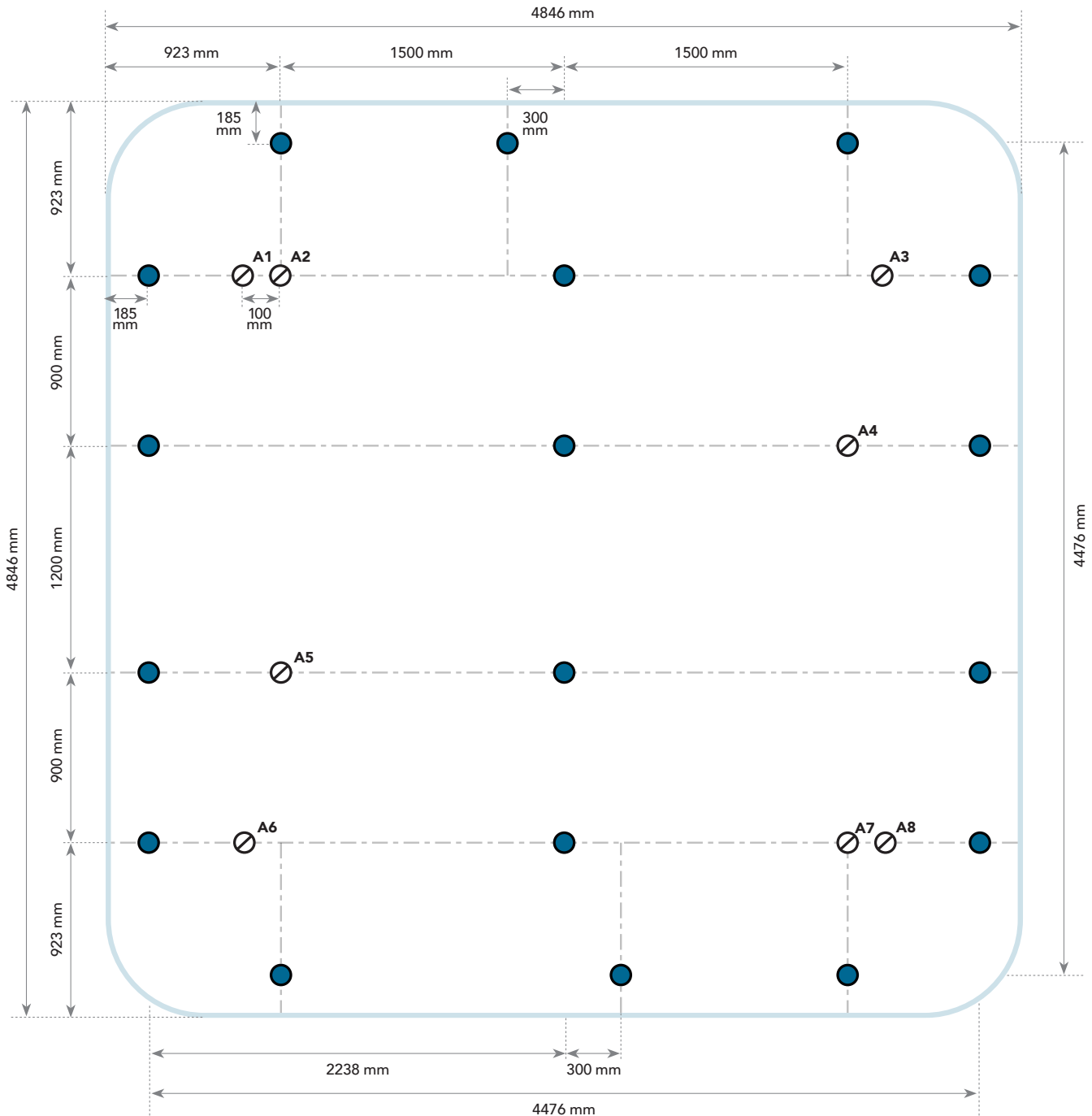
ATTENTION 

To attach the suspension, the end of the ceiling anchors needs to be M8. These anchors are not supplied by Rockfon. The holes in the suspension are Ø8.2 mm.

3. 4800 x 4800


-  Frame Profile
-  Carrier Profile
-  Vertical Wire Set
-  Bracing Wire Set

1 Mark and drill suspension points in the soffit.







Ceiling drilling plan.

When attaching the suspension sets, ensure to distinguish between vertical and bracing wire sets.

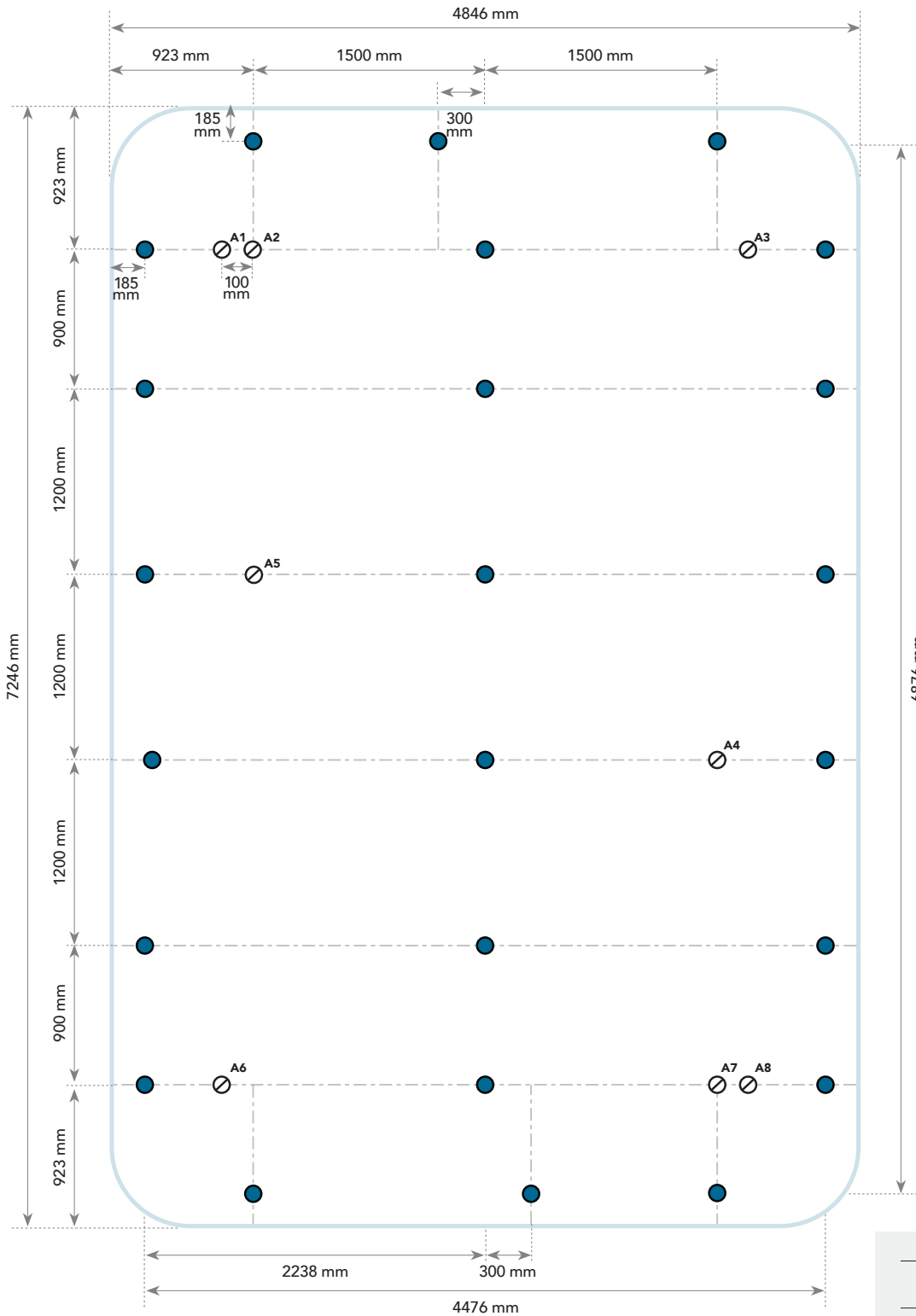
ATTENTION 

To attach the suspension, the end of the ceiling anchors needs to be M8. These anchors are not supplied by Rockfon. The holes in the suspension are Ø8.2 mm.

4. 4800 x 7200

-  Frame Profile
-  Carrier Profile
-  Vertical Wire Set
-  Bracing Wire Set

1 Mark and drill suspension points in the soffit.



Ceiling drilling plan.

When attaching the suspension sets, ensure to distinguish between vertical and bracing wire sets.

ATTENTION



To attach the suspension, the end of the ceiling anchors needs to be M8. These anchors are not supplied by Rockfon. The holes in the suspension are Ø8.2 mm.

APPLICABLE FOR ALL DIMENSIONS

2 Suspend Carrier Profiles with Vertical Wire Set.

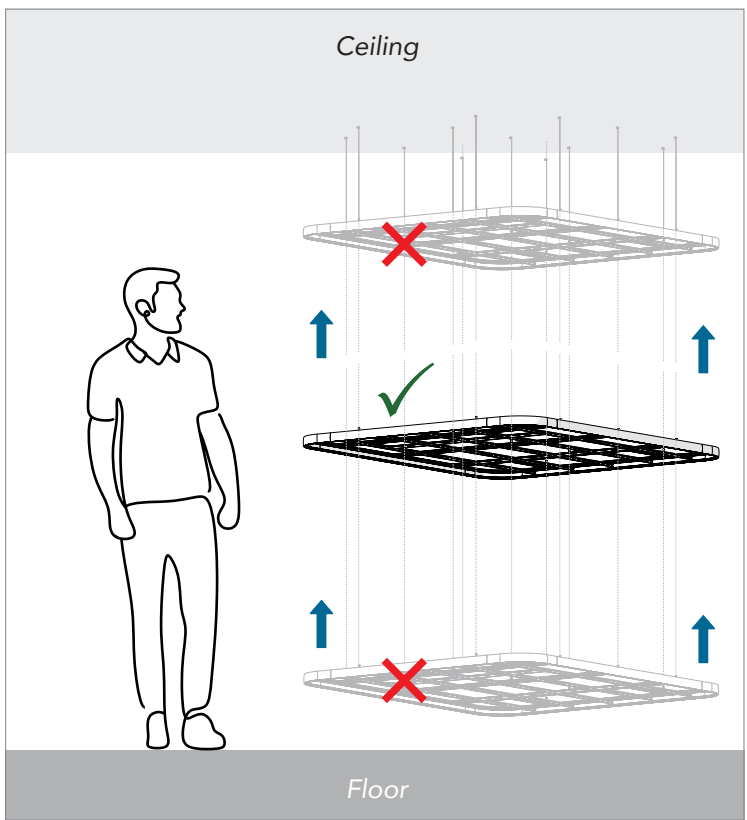
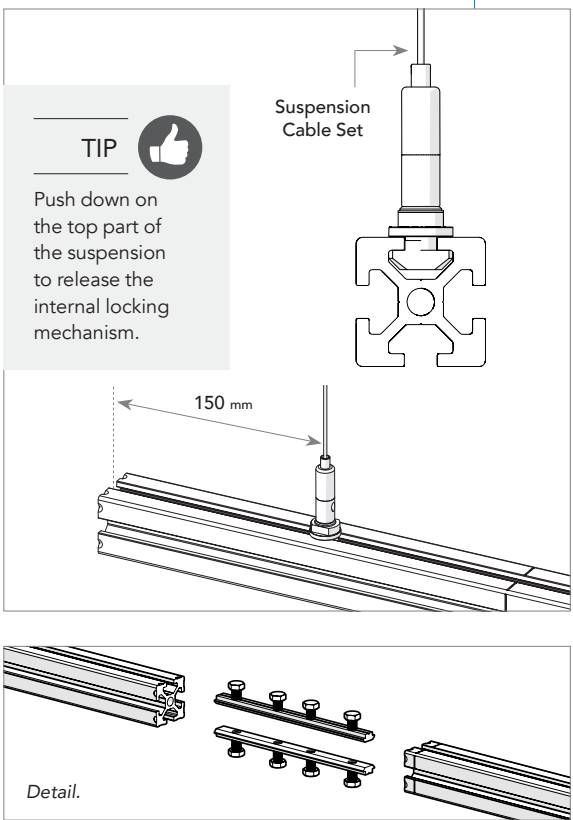
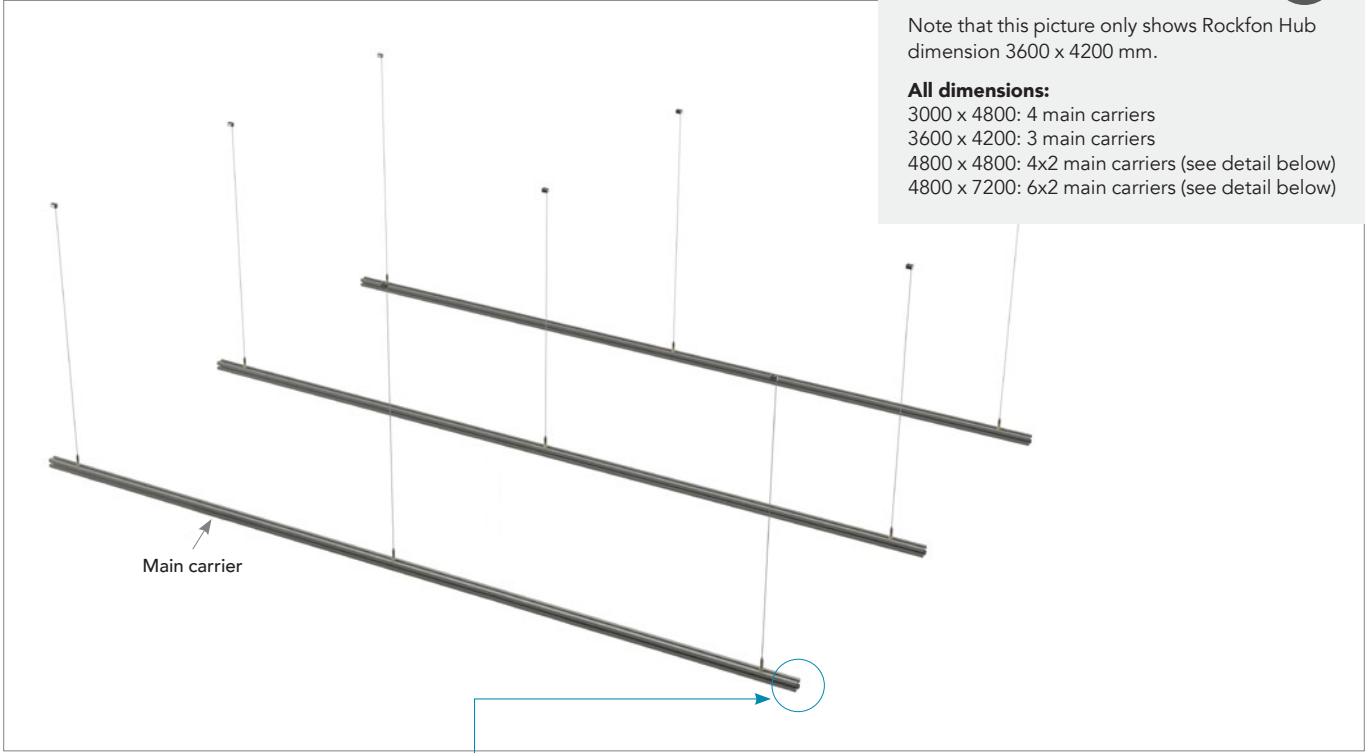
ATTENTION



Note that this picture only shows Rockfon Hub dimension 3600 x 4200 mm.

All dimensions:

- 3000 x 4800: 4 main carriers
- 3600 x 4200: 3 main carriers
- 4800 x 4800: 4x2 main carriers (see detail below)
- 4800 x 7200: 6x2 main carriers (see detail below)



Use two Profile Connectors to connect two Carrier Profiles. Make sure to alternate connecting joints of the Carrier Profiles (see page 18 & 19).

Note that the installation of Rockfon Hub can be done at waist level. When finalized, the Hub is lifted into final position and the tiles are installed (see step 9).

APPLICABLE FOR ALL DIMENSIONS

3 Attach short carriers to main carriers and suspend with vertical wire set.

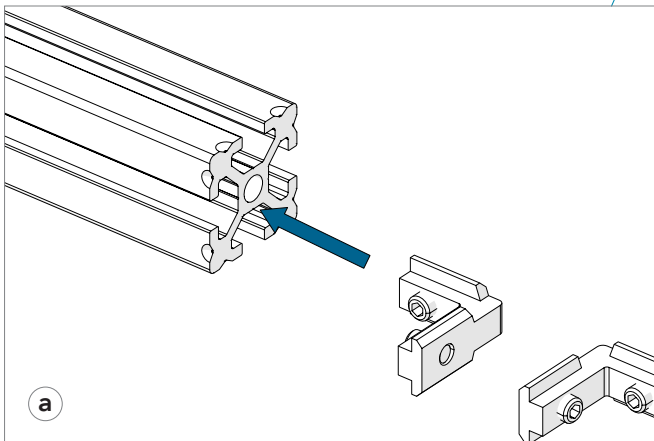
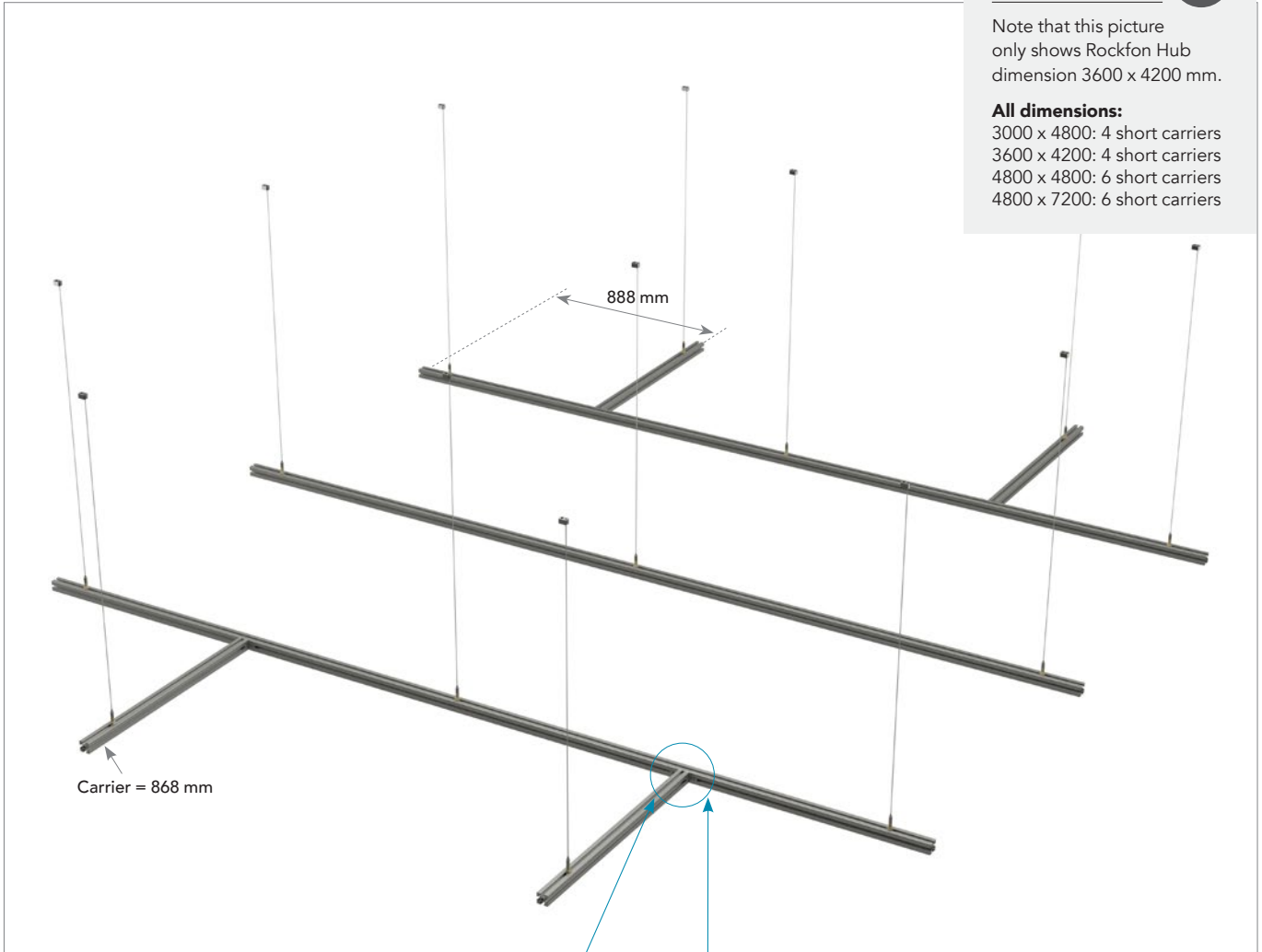
ATTENTION



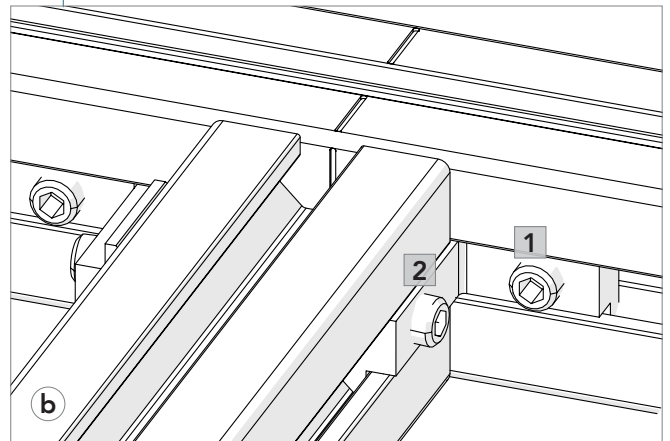
Note that this picture only shows Rockfon Hub dimension 3600 x 4200 mm.

All dimensions:

- 3000 x 4800: 4 short carriers
- 3600 x 4200: 4 short carriers
- 4800 x 4800: 6 short carriers
- 4800 x 7200: 6 short carriers



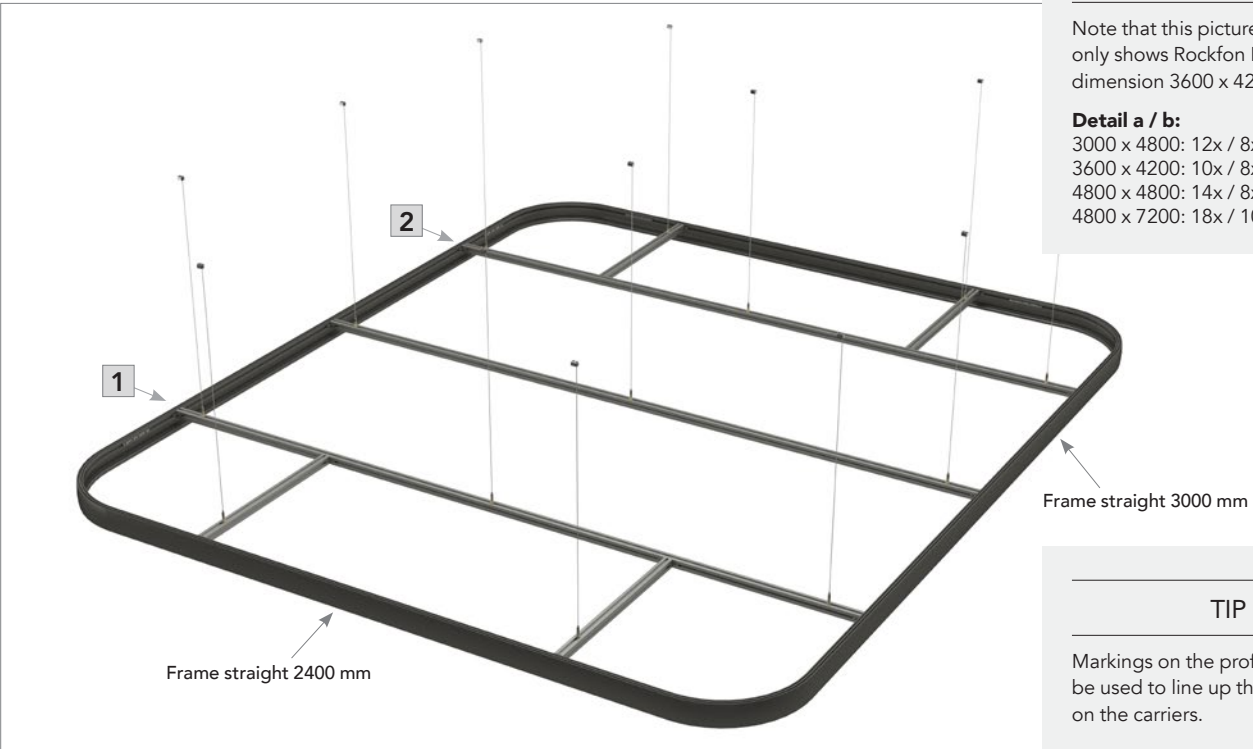
Use the Inter Connector R to connect the short Carrier Profiles to the main Carrier Profiles. Raising and lowering the suspension to roughly the same height can help make step 4 easier.



Make sure to use the mark on the carriers for proper alignment. First fasten 1, then 2.

APPLICABLE FOR ALL DIMENSIONS

4 Connect the Frame Profiles and attach them to the Carrier Profiles.



ATTENTION



Note that this picture only shows Rockfon Hub dimension 3600 x 4200 mm.

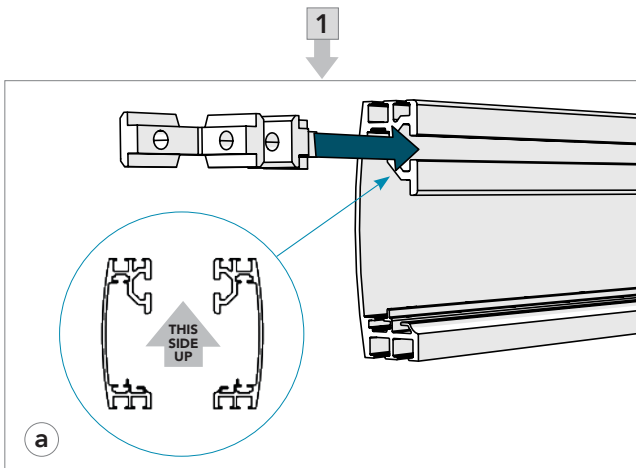
Detail a / b:

- 3000 x 4800: 12x / 8x
- 3600 x 4200: 10x / 8x
- 4800 x 4800: 14x / 8x
- 4800 x 7200: 18x / 10x

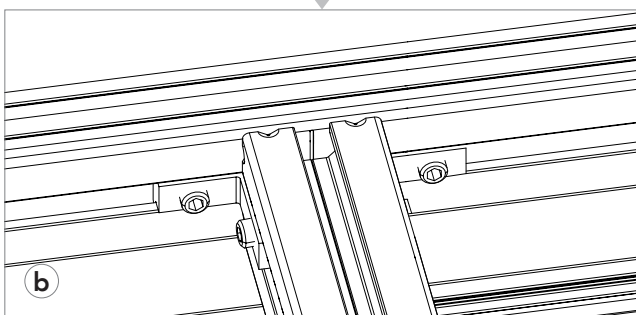
TIP



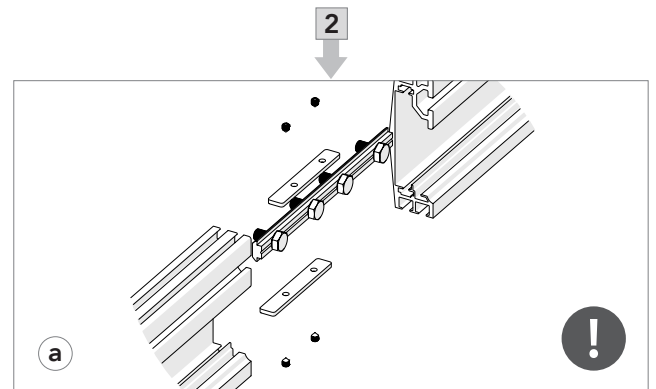
Markings on the profiles can be used to line up the frame on the carriers.



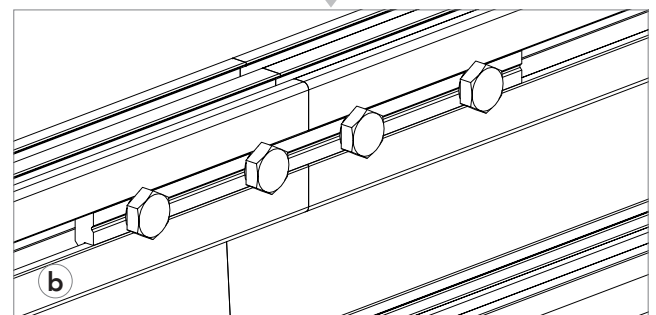
Add the correct amount of Inter Connectors R to the Frame Profiles.



Connect the Frame Profiles to the Carrier Profiles using the Inter Connectors R.
Note: the marking on the frame profile.



Use the Frame Profile Coupling with the Coupling Screws to tighten the seam between the frame profiles.
Note 1: if applicable, insert curtain rollers before closing the frame (see step 5).
Note 2: see step 6 for the correct order of closing the frame.



Tighten the Profile Connector to strengthen the coupling.

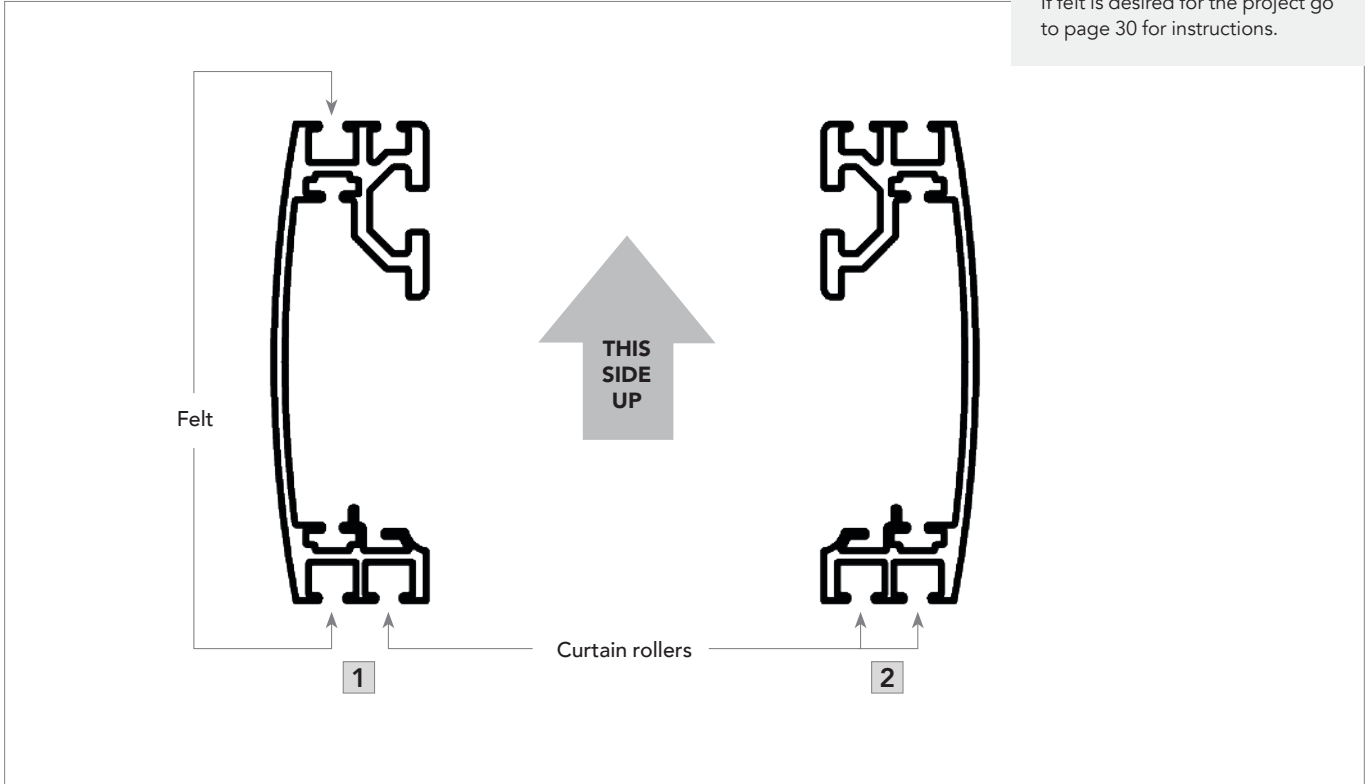
APPLICABLE FOR ALL DIMENSIONS

5 If applicable, insert curtain rollers before closing the frame.

ATTENTION




If felt is desired for the project go to page 30 for instructions.



The curtain rollers should be inserted as shown above.
Option 1 = felt + curtains.
Option 2 = curtains only (single or double).

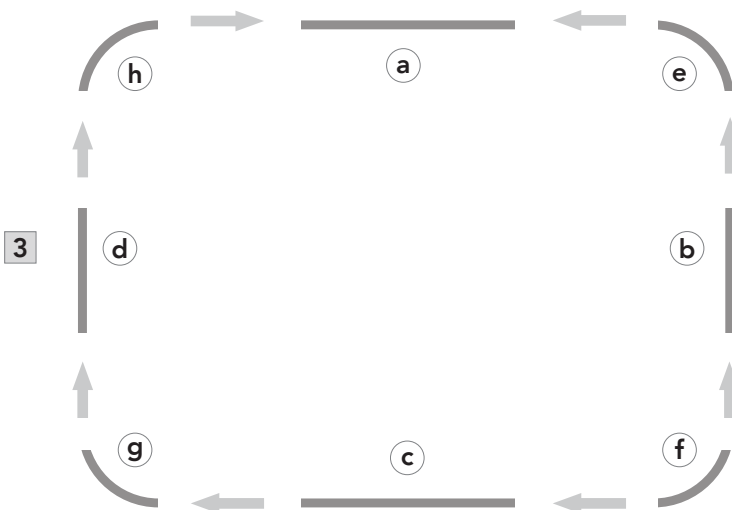
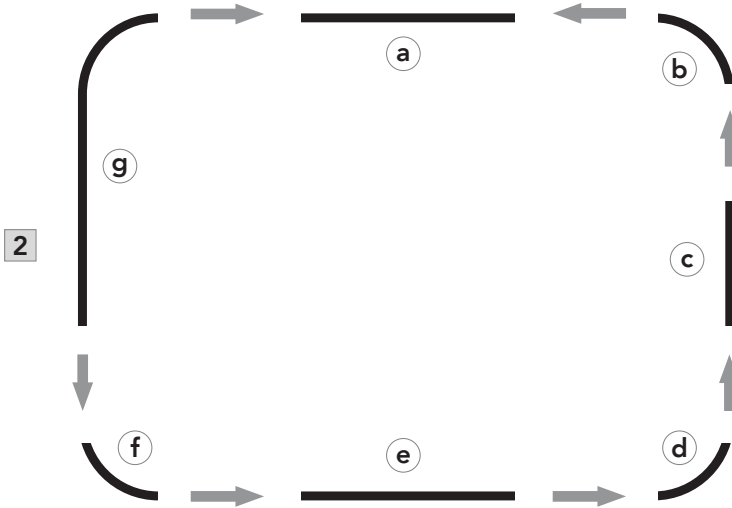
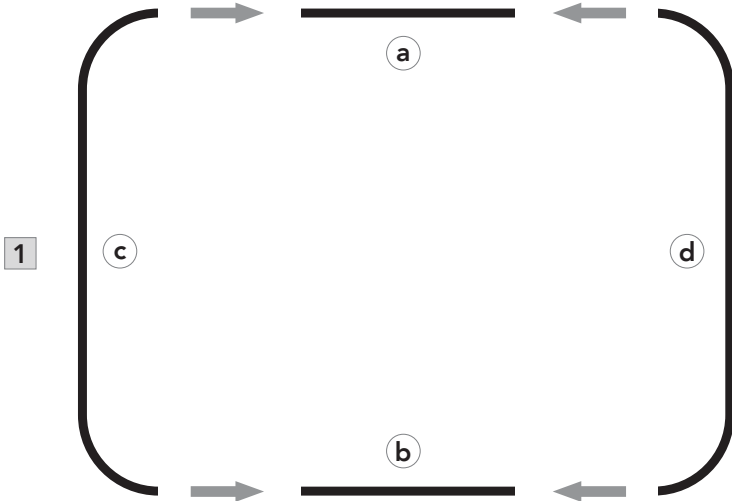
APPLICABLE FOR ALL DIMENSIONS

6 Closing the frame.

ATTENTION 

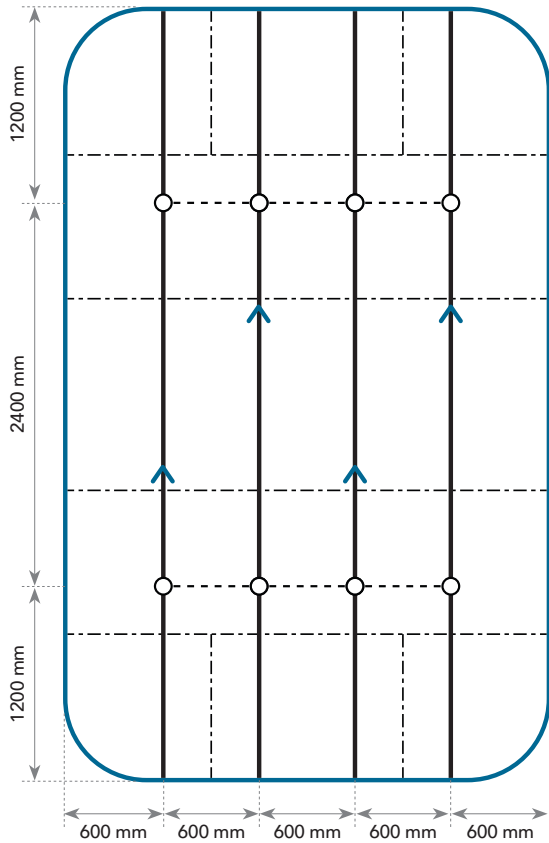
The order in which the frame is closed is important, otherwise the frame corners will not fit.






For closing the frame, use method 1 or method 2. Method 3 is incorrect.




1. 3000 x 4800

7 Cut the Main runner T24 Click/Hook 3600 according to the drawing below.



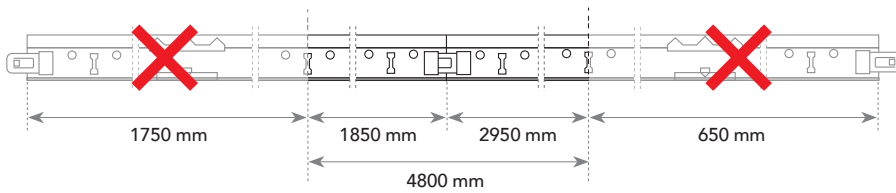
-  Frame Profile
-  Carrier Profile
-  Main runner T24 Click/Hook 3600
-  Cross tee T24 Click 600 mm
-  Main runner connection joint


ATTENTION 

Make sure to alternate the connection joints of the Main runners.

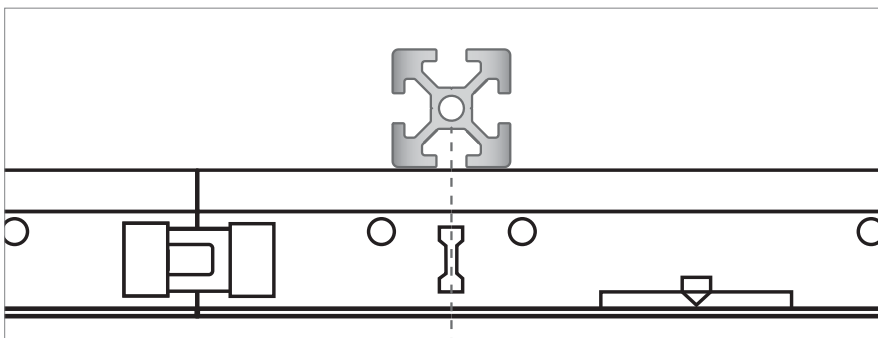
Cutting of Main runner

Note that the firebreaks are cut off.



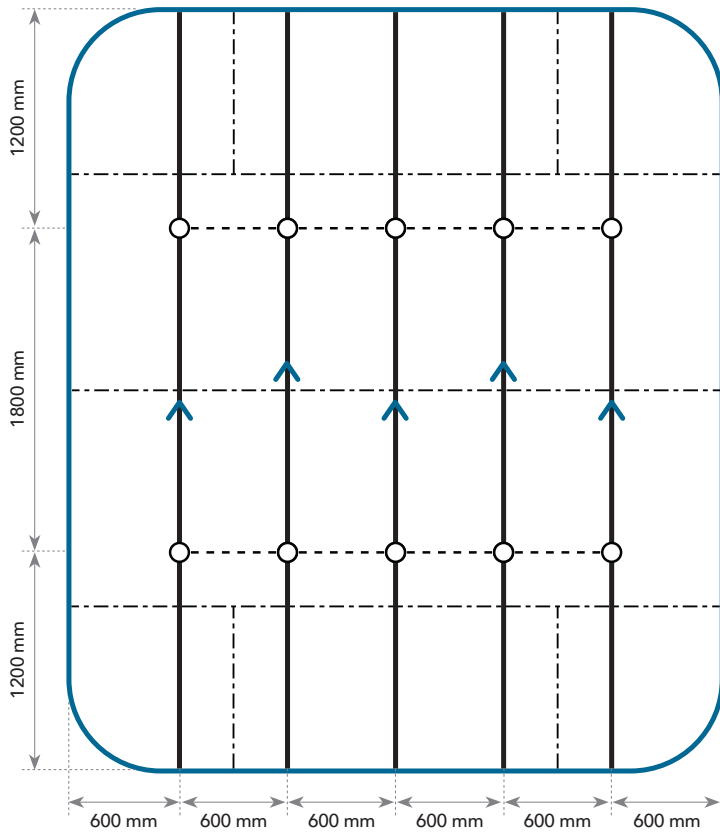
ATTENTION 






Line up the slots of the Main runner T24 Click/Hook 3600 with the centre of the Carrier Profiles.




2. 3600 x 4200

7 Cut the Main runner T24 Click/Hook 3600 according to the drawing below.



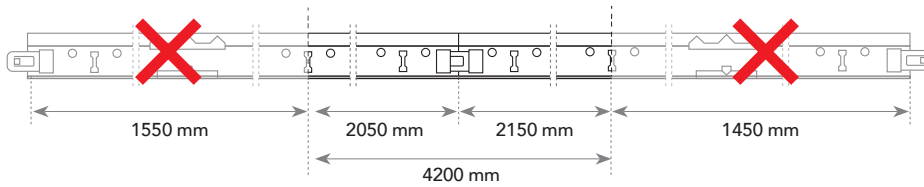
-  Frame Profile
-  Carrier Profile
-  Main runner T24 Click/Hook 3600
-  Cross tee T24 Click 600 mm
-  Main runner connection joint


ATTENTION 

Make sure to alternate the connection joints of the Main runners.

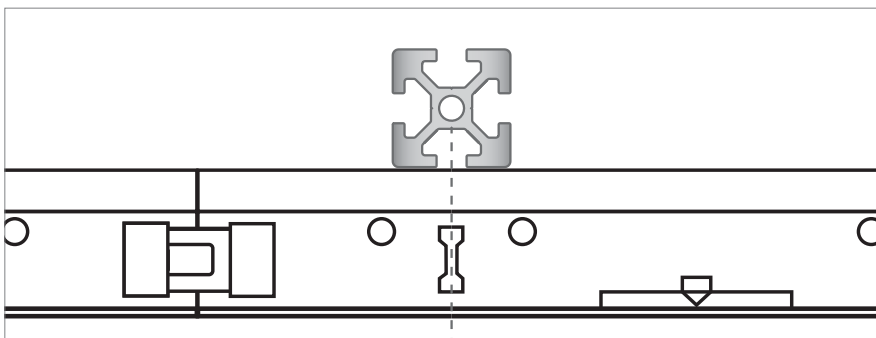
Cutting of Main runner

Note that the firebreaks are cut off.



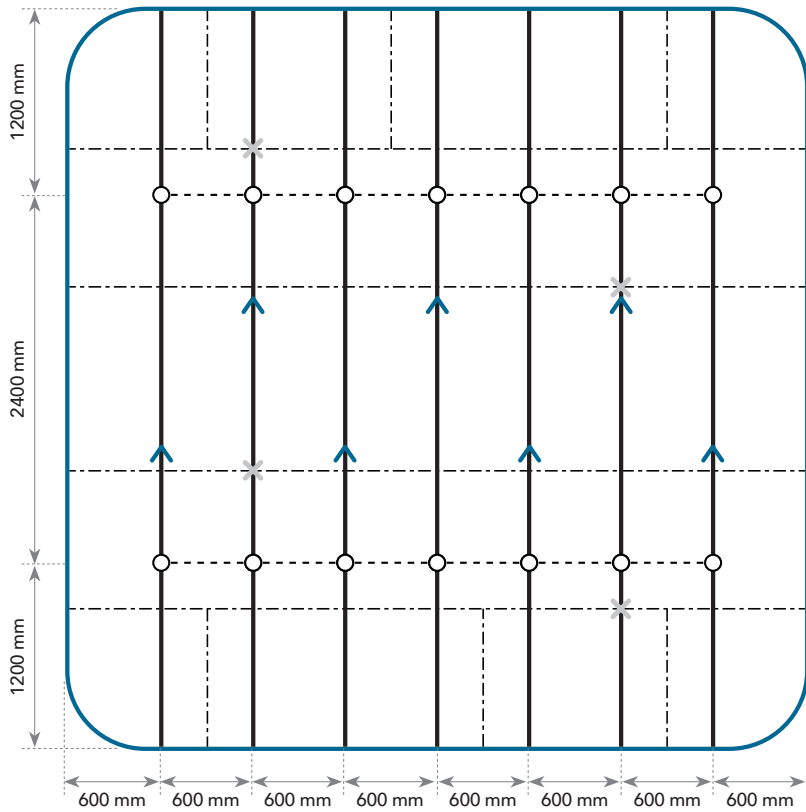
ATTENTION 







Line up the slots of the Main runner T24 Click/Hook 3600 with the centre of the Carrier Profiles.



3. 4800 x 4800

7 Cut the Main runner T24 Click/Hook 3600 according to the drawing below.



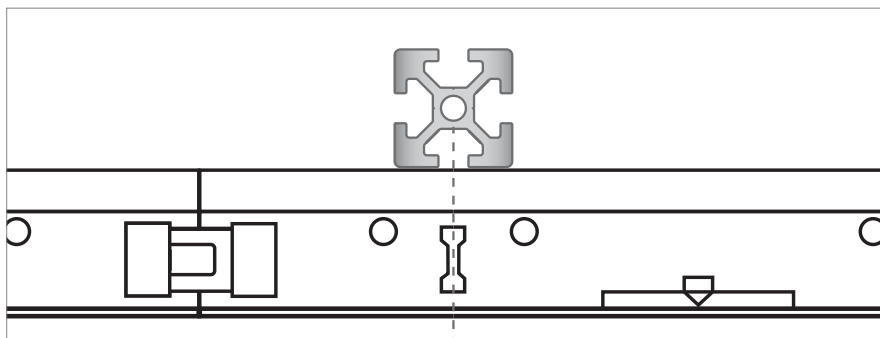
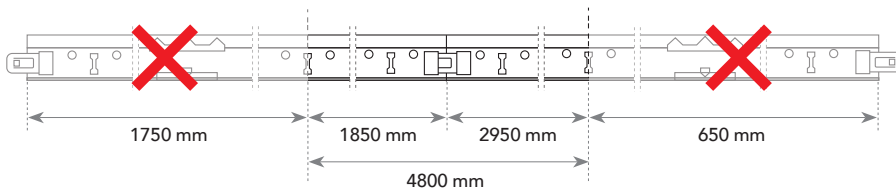
-  Frame Profile
-  Carrier Profile
-  Main runner T24 Click/Hook 3600
-  Cross tee T24 Click 600 mm
-  Main runner connection joint
-  Carrier profile connection joint


ATTENTION 

Make sure to alternate the connection joints of the Main runners and Carrier Profiles.

Cutting of Main runner

Note that the firebreaks are cut off.

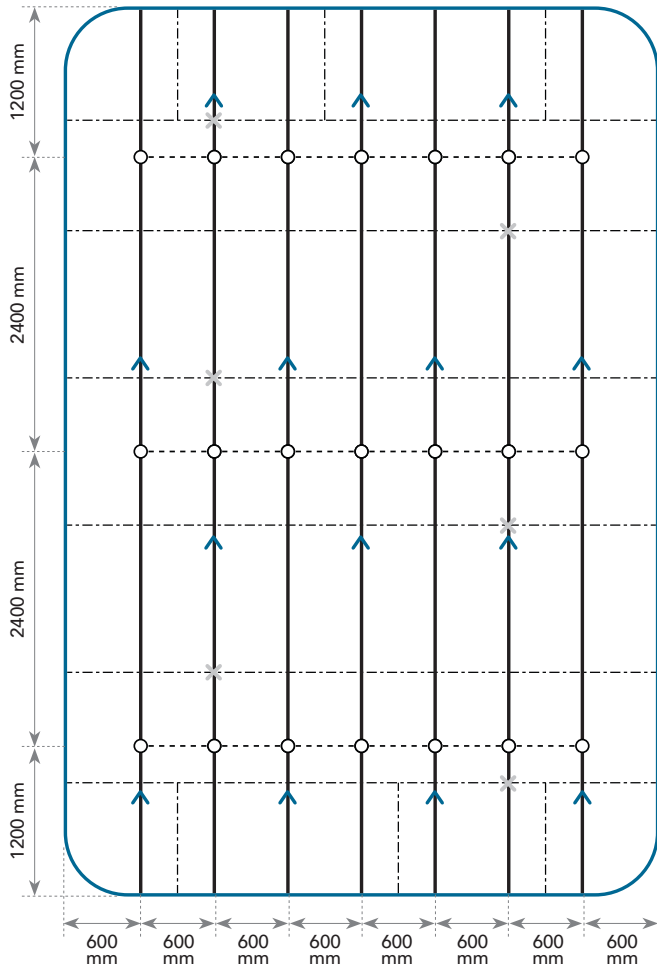


ATTENTION 

Line up the slots of the Main runner T24 Click/Hook 3600 with the centre of the Carrier Profiles.

4. 4800 x 7200

7 Cut the Main runner T24 Click/Hook 3600 according to the drawing below.



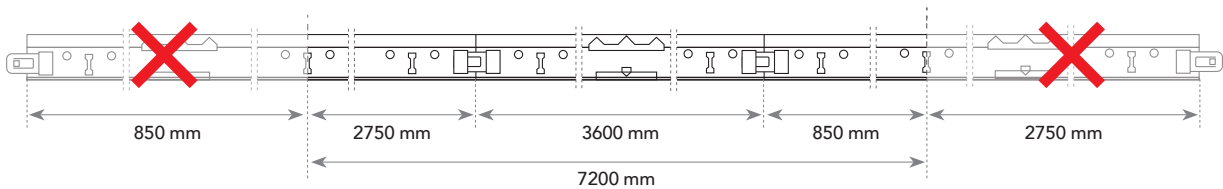
- Frame Profile
- Carrier Profile
- Main runner T24 Click/Hook 3600
- Cross tee T24 Click 600 mm
- Main runner connection joint
- Carrier profile connection joint

ATTENTION

Make sure to alternate the connection joints of the Main runners and Carrier Profiles.

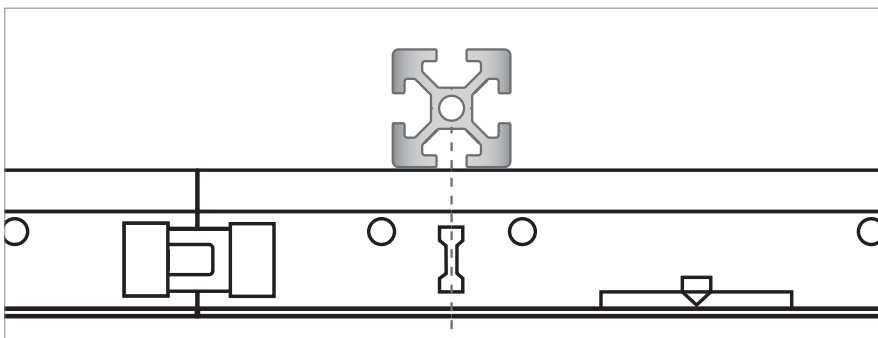
Cutting of Main runner

Note that the firebreaks are cut off.



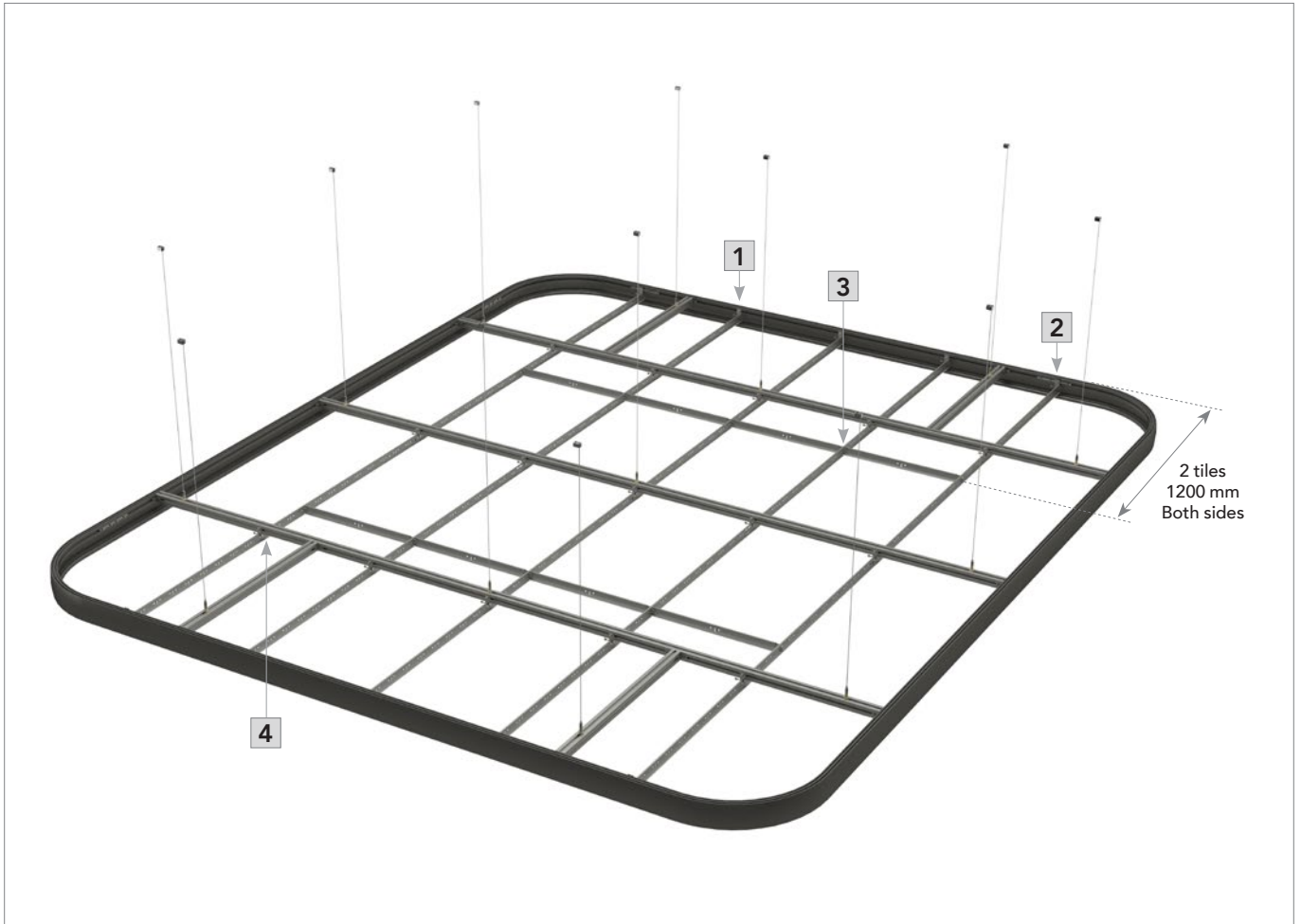
ATTENTION

Line up the slots of the Main runner T24 Click/Hook 3600 with the centre of the Carrier Profiles.



APPLICABLE FOR ALL DIMENSIONS

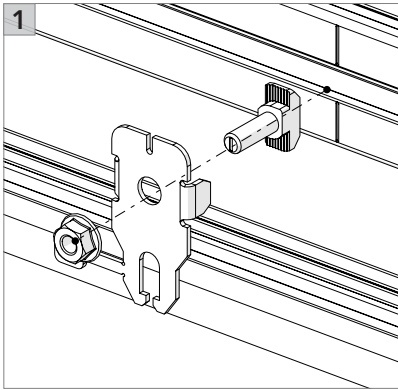
- 8 Install all Intersection Clips to Carrier Profiles and Frame Profiles and slide in Main runners afterwards.
Install Cross tees according to detail on previous pages.



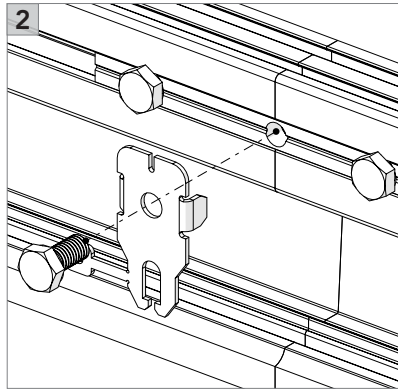
RECOMMENDATION



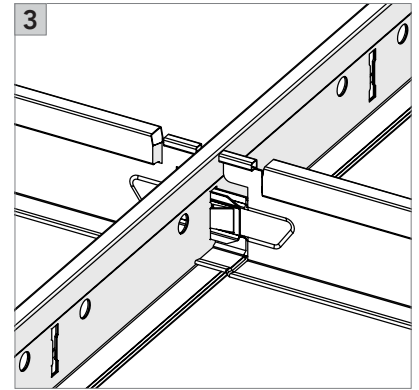
Tech screw 13 mm recommended.
Not supplied by Rockfon.



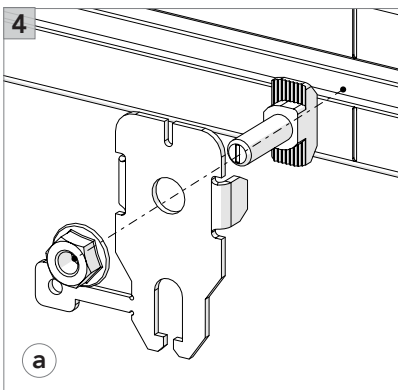
Intersection Clip on Frame Profile.



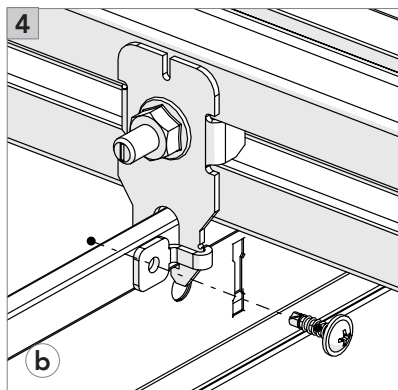
Intersection clip on frame coupling.



Cross tees clicked in Main runner.



Intersection Clip on Carrier Profile.



Use the thumbtab on the Intersection Clip clip and fixate the Main runners (2x per merged Main runner - in each end of the original Main runner) using a selfdrilling screw.

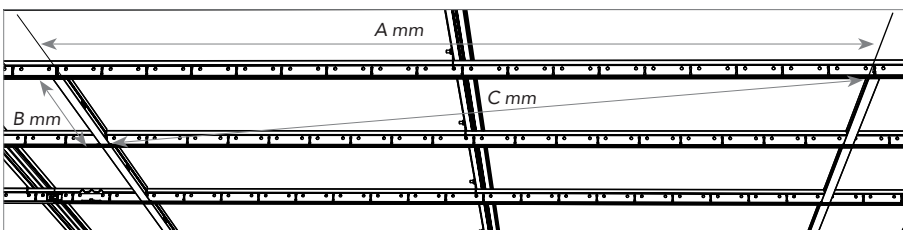
ATTENTION



Note that the picture on the previous page only shows Rockfon Hub dimension 3600 x 4200 mm.

Detail 1 / 2 / 3 / 4a / 4b:

3000 x 4800: 4x / 4x / 4x / 16x / 8x
 3600 x 4200: 6x / 4x / 6x / 15x / 10x
 4800 x 4800: 10x / 4x / 10x / 28x / 14x
 4800 x 7200: 10x / 4x / 15x / 42x / 21x

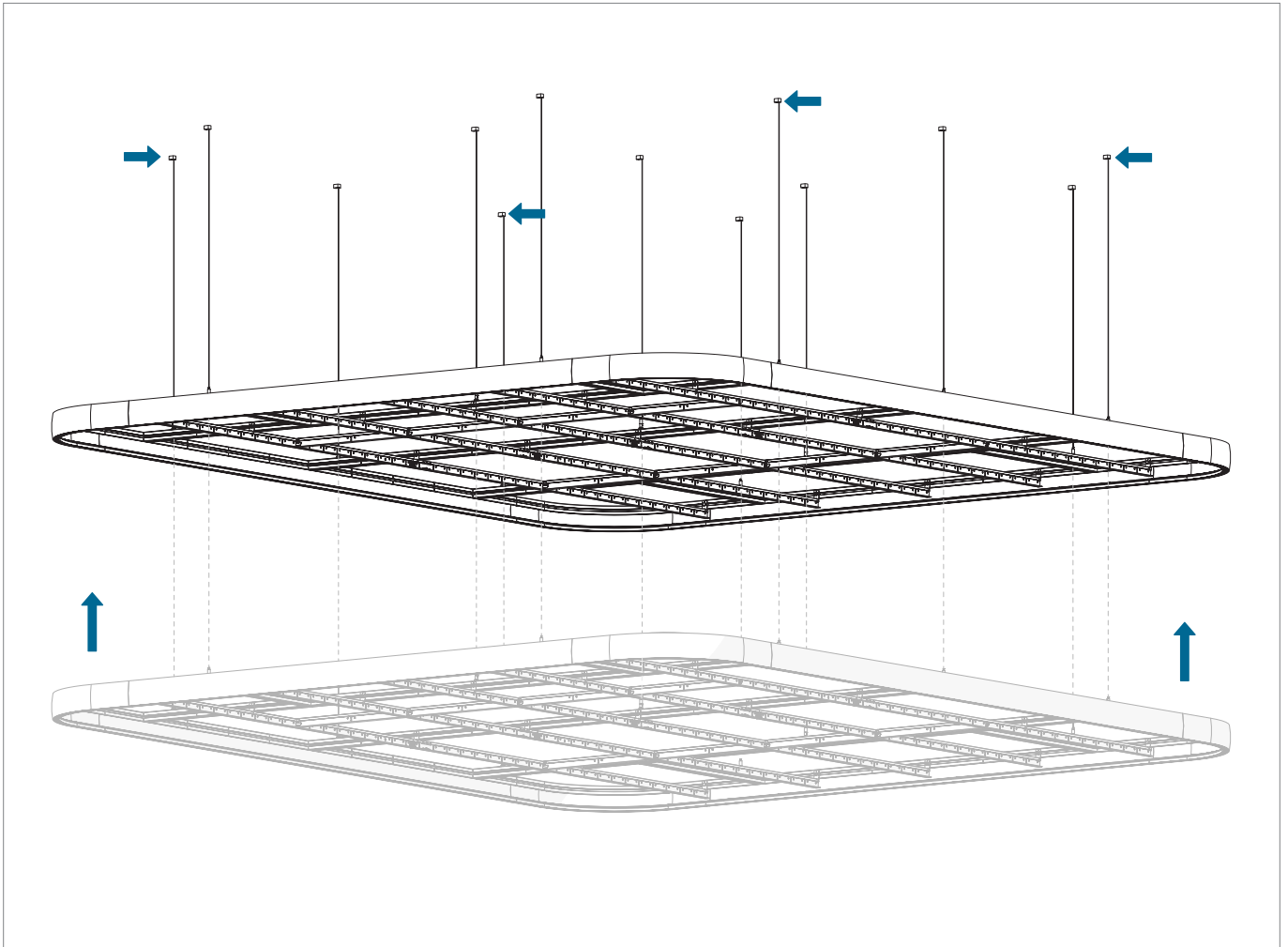


Measure the diagonals to square the grid.

Dimensions (A x B)	Diagonal (C)	Tolerance
mm		
1200 x 600	1341.64	+/- 1,0
1800 x 600	1897.37	
2400 x 600	2473.86	

APPLICABLE FOR ALL DIMENSIONS

9 Lift the Rockfon Hub into position and level it with a laser.



Lift the Rockfon Hub using the 4 straight corner suspension cables (indicated with an arrow) that are connected to the main Carrier Profiles. First lift one side (2 suspension points), then lift the opposite side.

TIP



A gypsum panel hoist can be used to lift the island. Place it in the center of the Frame Profile and push up on one side and tighten outer corner suspensions on that side. Repeat on the opposite side.

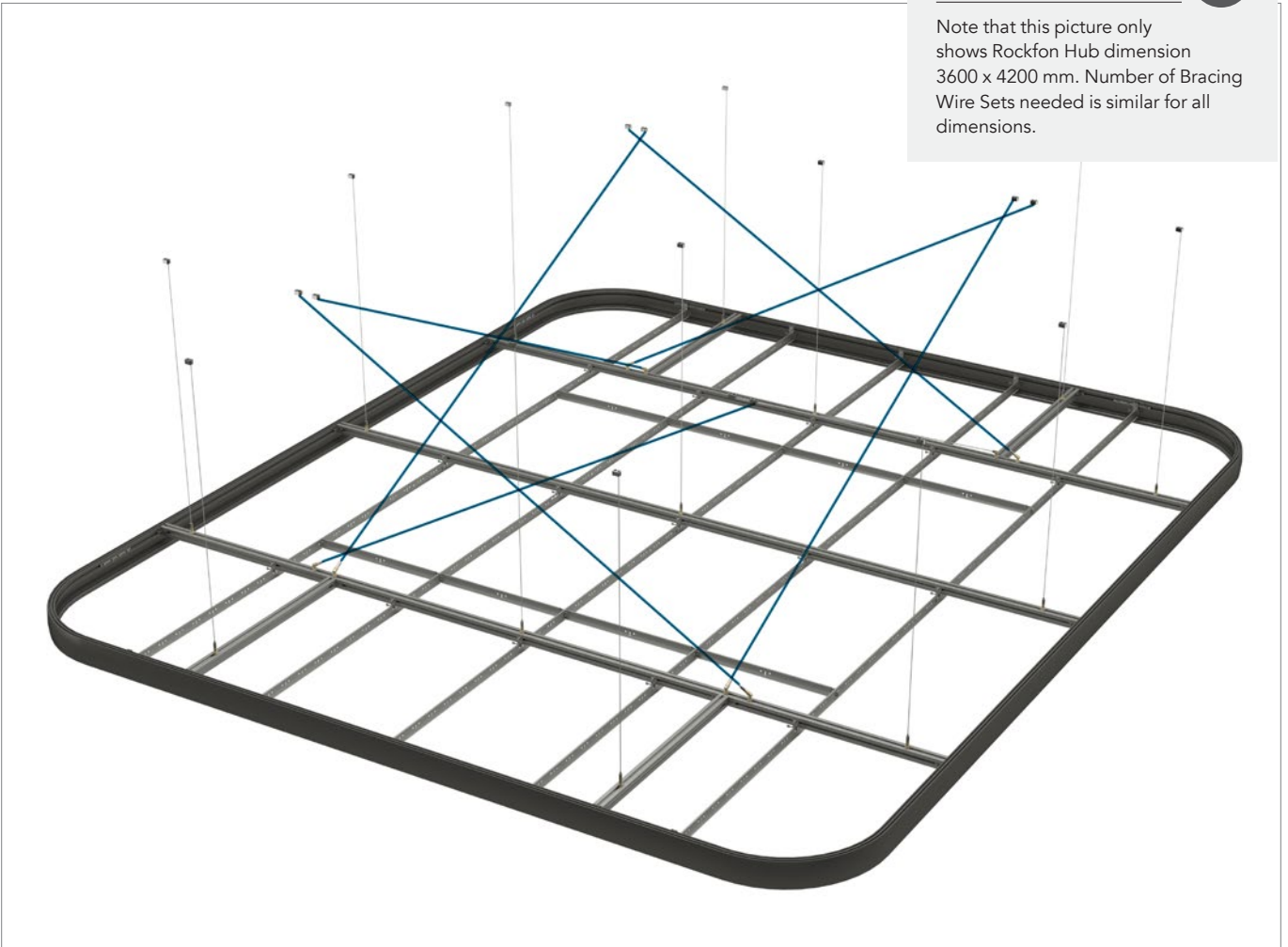
APPLICABLE FOR ALL DIMENSIONS

10 Connect & tension Bracing Wire Sets

ATTENTION



Note that this picture only shows Rockfon Hub dimension 3600 x 4200 mm. Number of Bracing Wire Sets needed is similar for all dimensions.

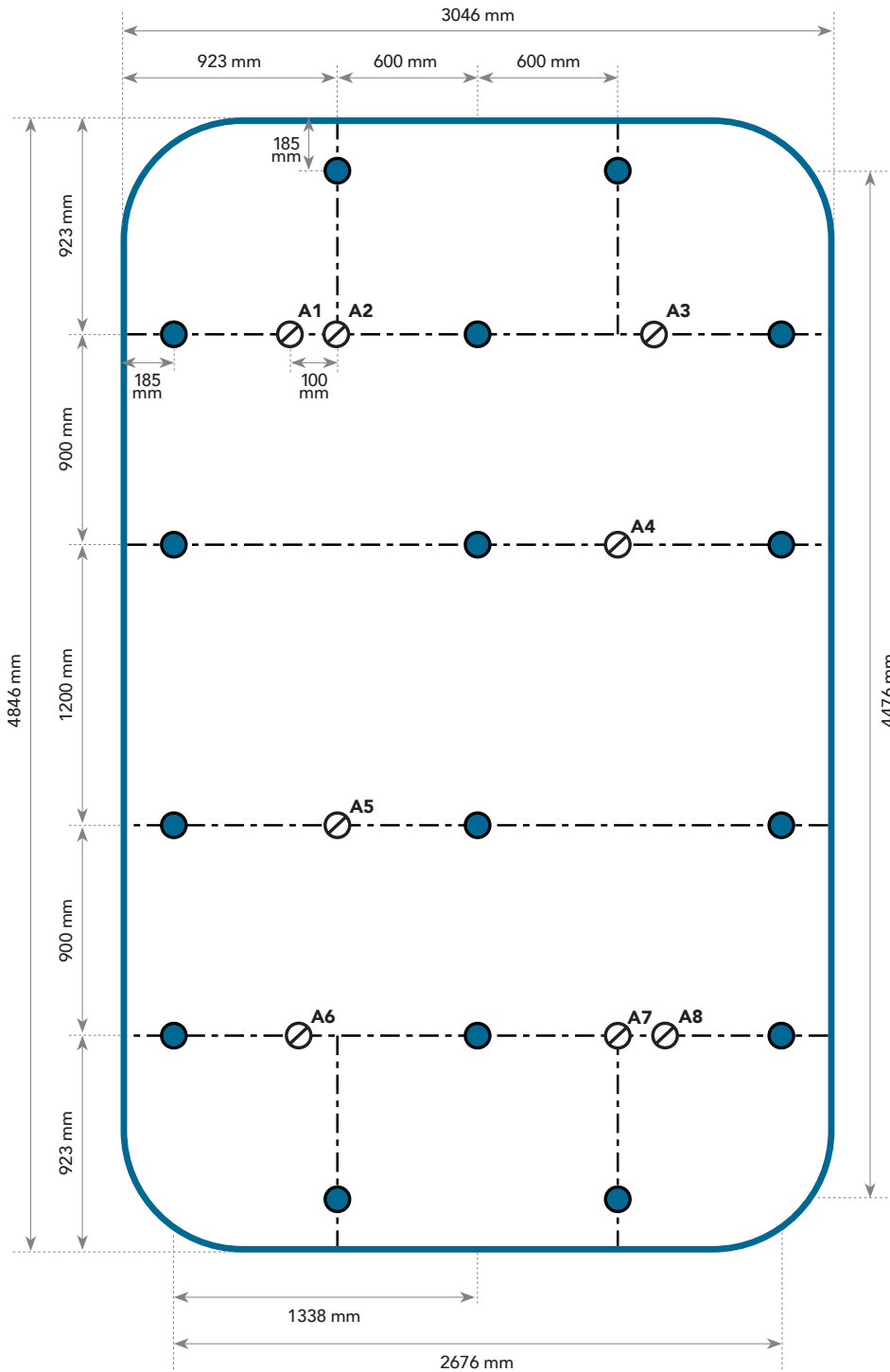


Make sure to tighten opposing Bracing Wire Sets at the same time in order to keep the island from moving.

1. 3000 x 4800

- Frame Profile
- Carrier Profile
- Vertical Wire Set
- Bracing Wire Set

11 Connect & tension Bracing Wire Sets.



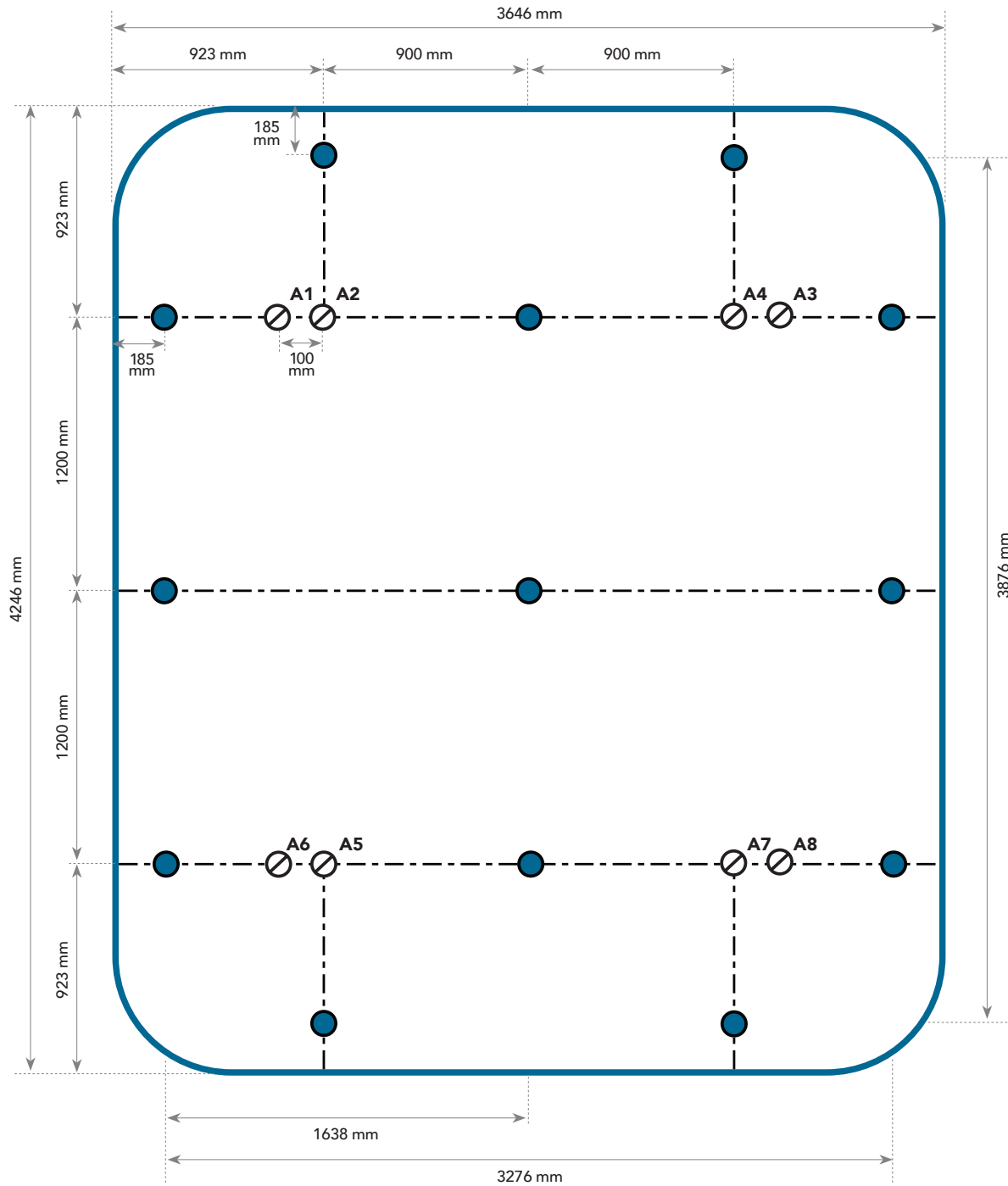
Bracing table

Ceiling	A1	A3	A2	A5	A4	A7	A6	A8
Hub	↓ A3	↓ A1	↓ A5	↓ A2	↓ A7	↓ A4	↓ A8	↓ A6

2. 3600 x 4200

- Frame Profile
- Carrier Profile
- Vertical Wire Set
- Bracing Wire Set


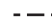


11 Connect & tension Bracing Wire Sets.



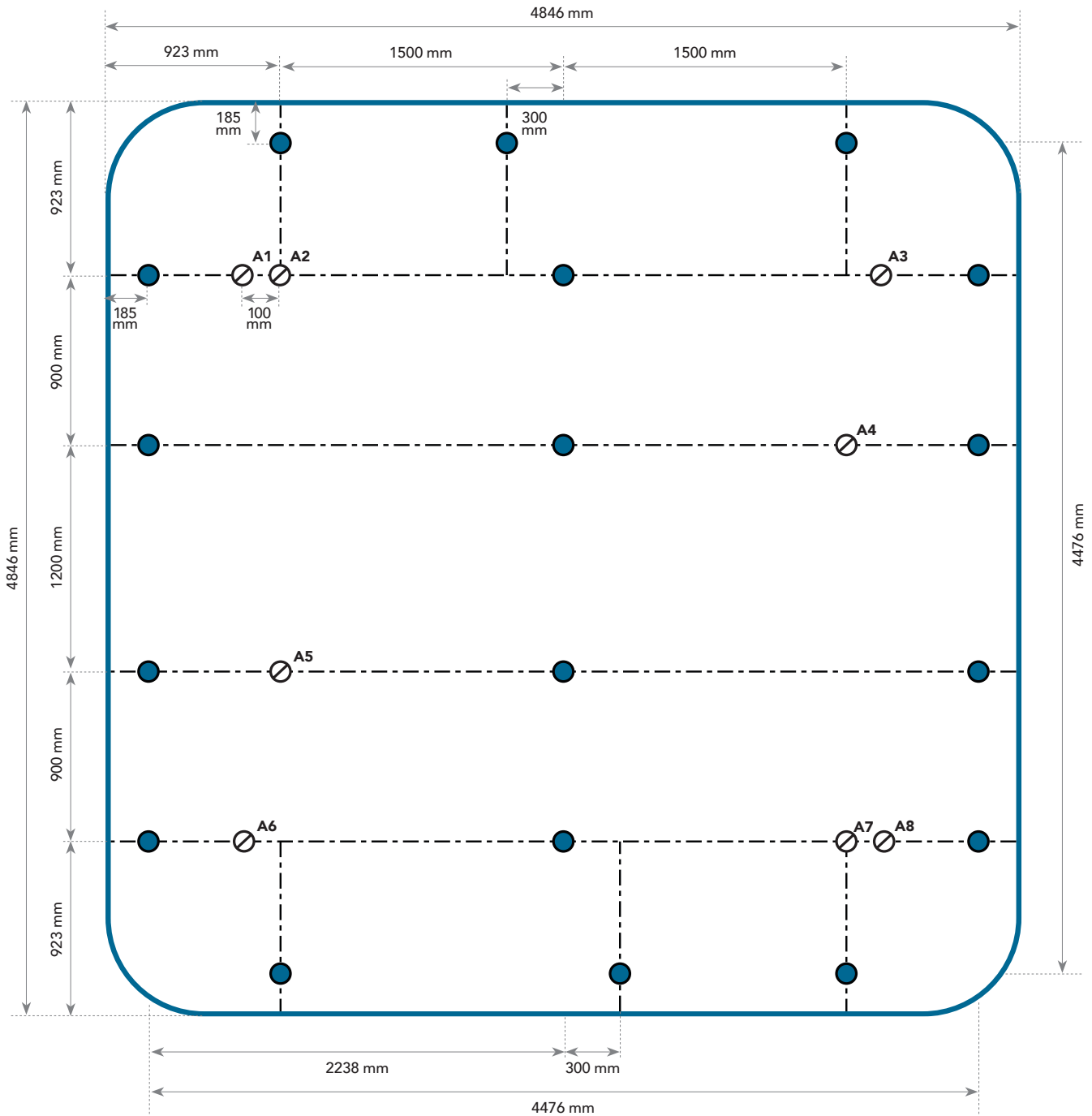
Bracing table

Ceiling	A1	A3	A2	A5	A4	A7	A6	A8
Hub	↓ A3	↓ A1	↓ A5	↓ A2	↓ A7	↓ A4	↓ A8	↓ A6

3. 4800 x 4800

-  Frame Profile
-  Carrier Profile
-  Vertical Wire Set
-  Bracing Wire Set

11 Connect & tension Bracing Wire Sets.



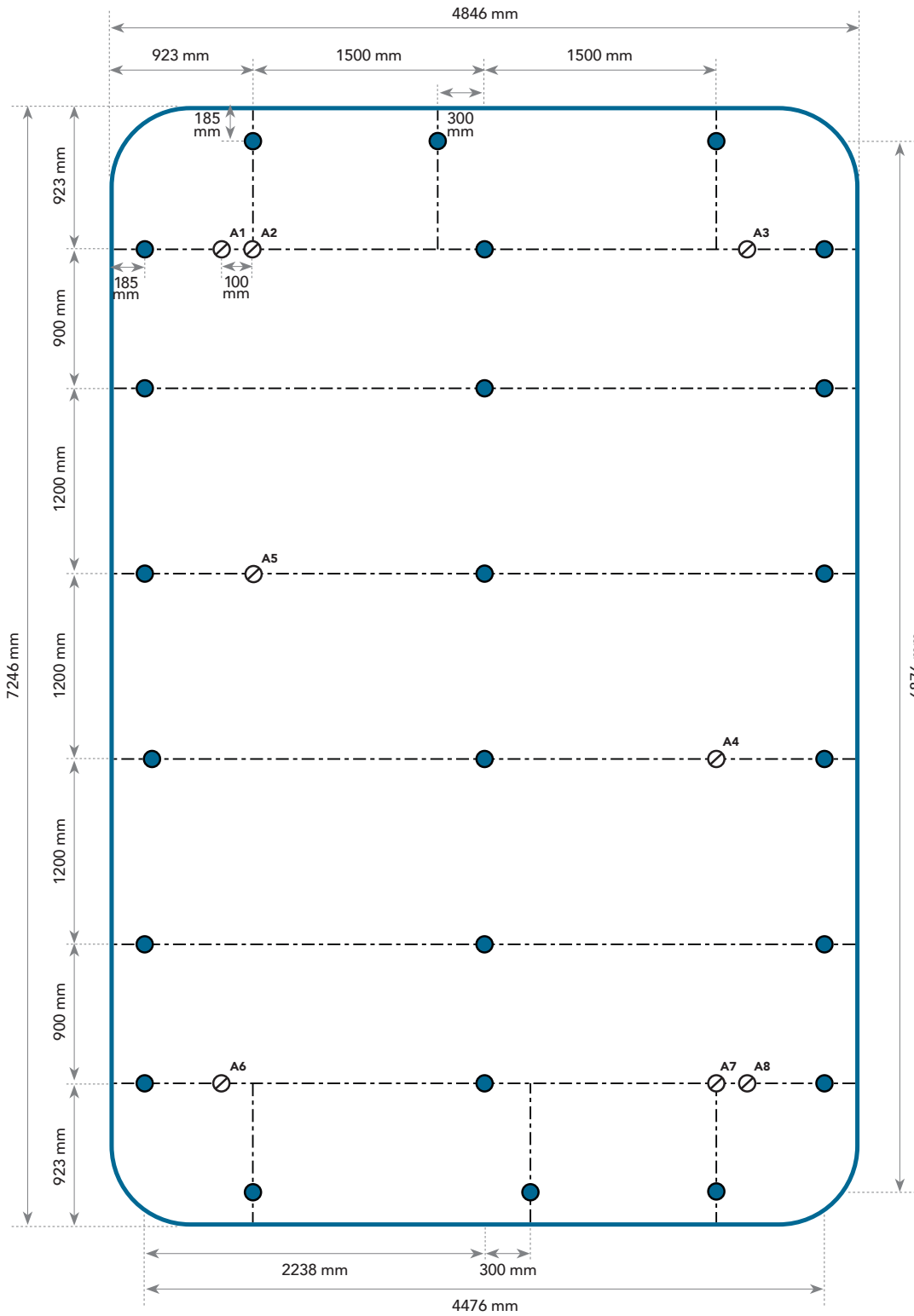
Bracing table

Ceiling	A1	A3	A2	A5	A4	A7	A6	A8
Hub	↓ A3	↓ A1	↓ A5	↓ A2	↓ A7	↓ A4	↓ A8	↓ A6

4. 4800 x 7200

- Frame Profile
- Carrier Profile
- Vertical Wire Set
- Bracing Wire Set

11 Connect & tension Bracing Wire Sets.

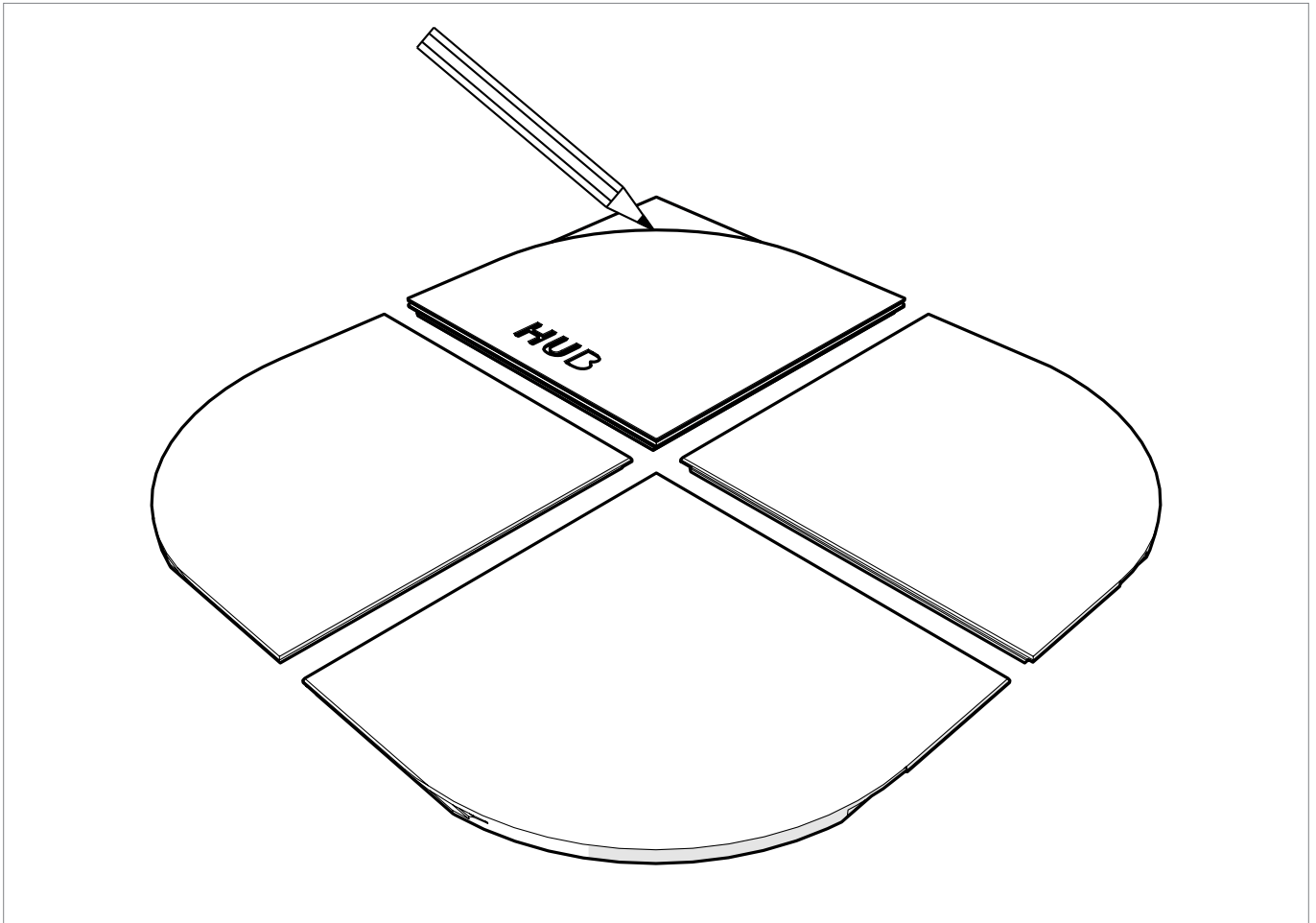


Bracing table

Ceiling	A1	A3	A2	A5	A4	A7	A6	A8
Hub	↓ A3	↓ A1	↓ A5	↓ A2	↓ A7	↓ A4	↓ A8	↓ A6

FINAL INSTALLATION STEPS FOR ALL SIZES

- 1 Cut the tiles using the Cutting Template.



Place four tiles next to each other as shown in the drawing. They should all have the same directionality and have the front side facing up. Then draw all the cutting lines on the tiles. Now all necessary corner tiles are cut.

TIP



Use fresh white gloves to handle the tiles in order to avoid fingermarks.

ATTENTION



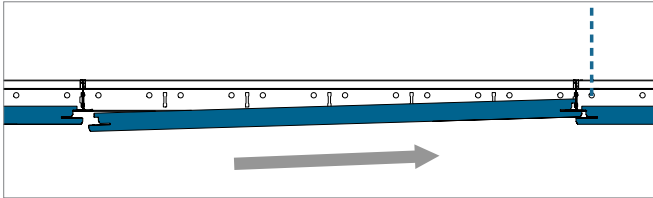
When laying out the tiles, make sure they all have the same directionality. The markings on the back should be used as an indication of direction.

ATTENTION

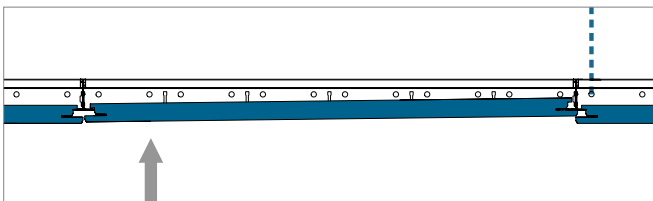


When cutting the tiles separately keep in mind that you have to mirror the direction of the Cutting Template in order to end up with the correct cut.

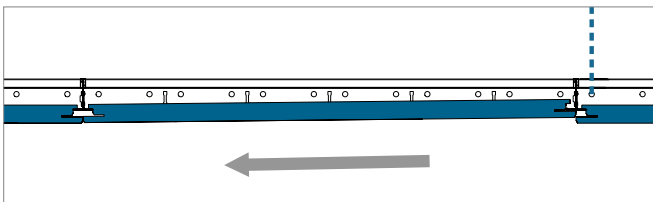
2 Finish the Rockfon Hub by inserting all the tiles.



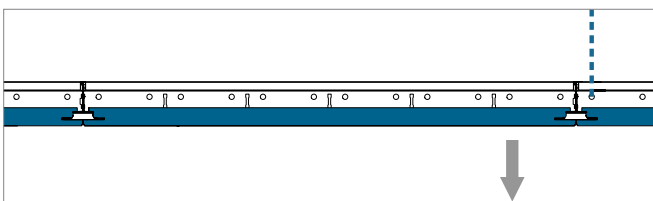
Slide the X edge of the tile into the T profile.



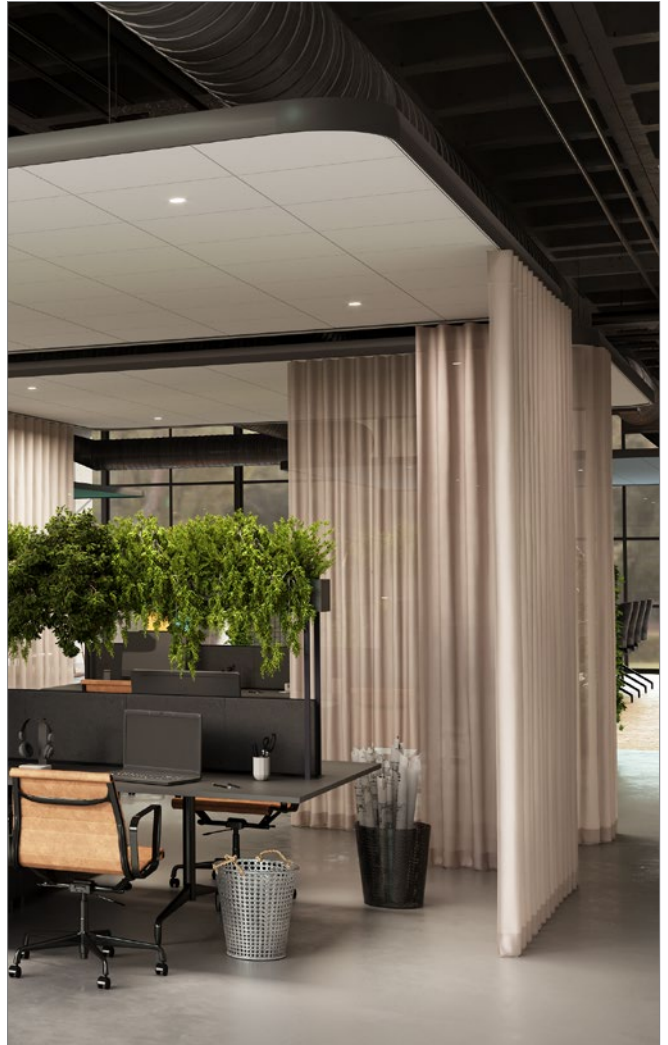
Lift the upper side of the opposite X edge of the tile above the T profile.



Pull the tile back.



Drop the tile carefully into position.



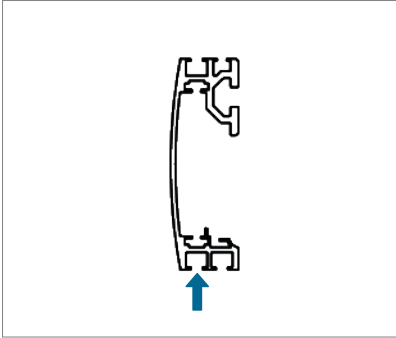
TIP



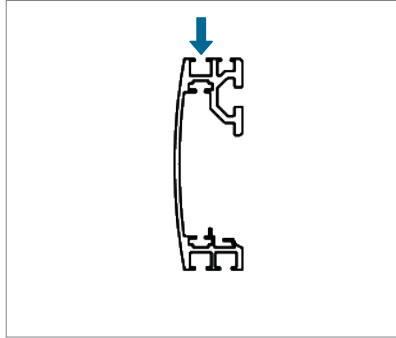
Use fresh white gloves to handle the tiles in order to avoid fingermarks.

Felt installation

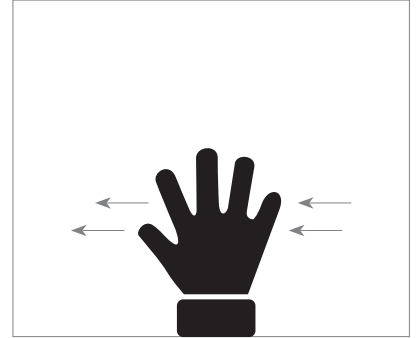
Felt installation



Slide the felt into the slot and pull it around the frame.

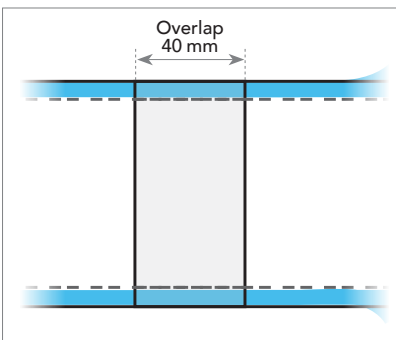


Flip the felt over and use the felt tool to push the felt in the top slot.

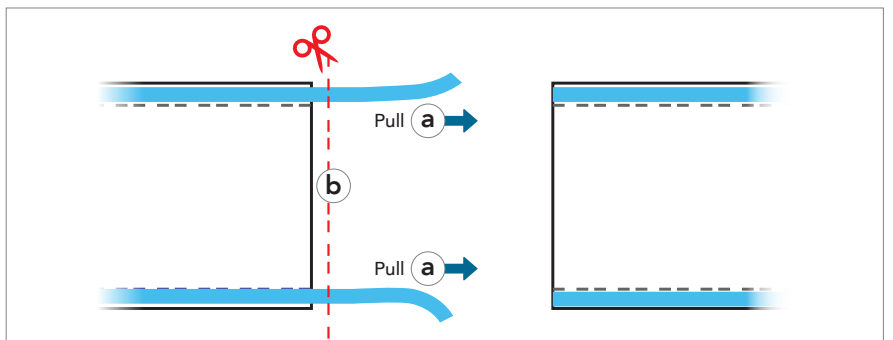


If applicable, use your hand to stroke out any creases in the felt.

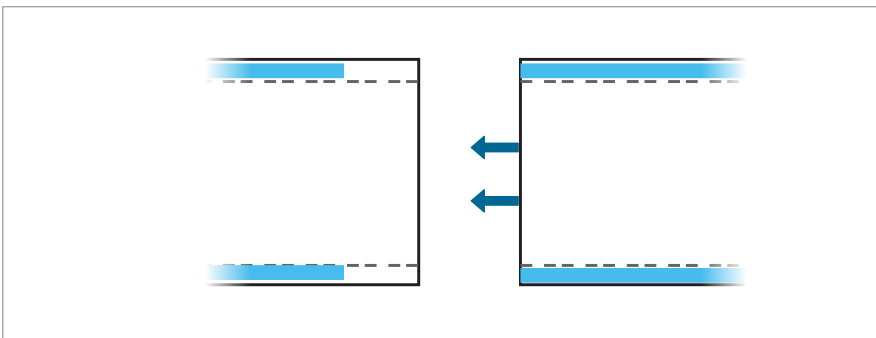
Felt seam



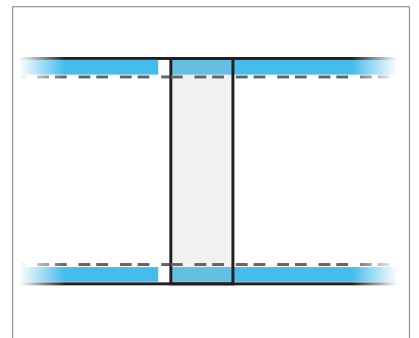
Before inserting the felt-ends in the frame, cut the felt with a 40 mm overlap. Leave extra wire on one end of the felt and cut it flush with the felt on the other.



Pull the wires out (a) and cut (b) them so they jump back inside the felt.



Pull the straight-cut felt over the felt with the retracted wires and push the wires in the slots.



The seam should look as follows. Now stroke out the last creases in the felt.

Service integration

Rockfon ceiling tiles are easy to cut and therefore, it is very easy to integrate service installations in our ceiling tiles. The cut-outs can be made with a simple utility knife.

When the system is installed to bear load, Rockfon recommends using a yoke or extra support arms that spread the weight of the service installation. Please be aware that, when installing a yoke or

support arms, the panel of Rockfon Hub is supported by the grid on only two sides. The size of the yoke should not be bigger than module 600 x 600 mm and the use of extra hangers to overcome deflection in the ceiling system is strongly recommended. When using support arms to spread the weight of the installation, Rockfon recommends spanning maximum 600 mm and the usage of extra hangers to overcome deflection in the ceiling system.

Planning

Rockfon recommends discussing the jobsite planning thoroughly and well in advance with other installers that have to work in or near Rockfon Hub. By doing so damaged tiles and dirty spots on the finished surface can be avoided, which reduces costs on the jobsite.

Overview load bearing capacity

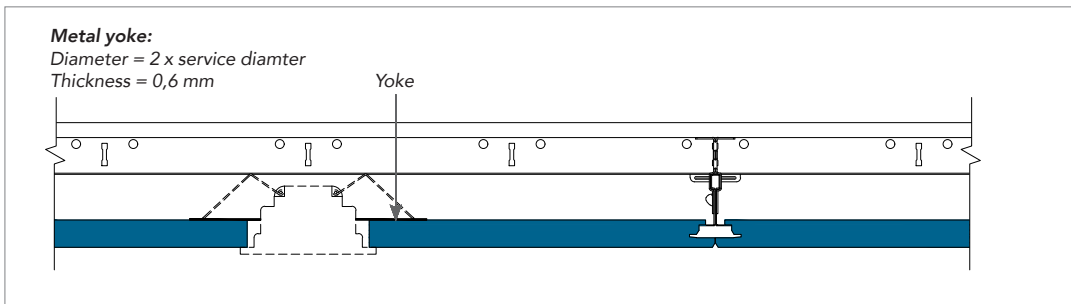
	Weight of installations		
	< 0.25 kg/pcs	0.25 ≥ 3.0 kg/pcs	> 3.0 kg/pcs
Small service integration; Spot- or downlight, speaker, ventilation etc.	Drawing A	Drawing B	Suspend separately
Big service integration; Downlight, speaker, ventilation, etc.	Drawing A	Drawing B	Suspend separately

When installing services in Rockfon Hub, you should always follow local building regulations if more strict than the load bearing capacity constraints Rockfon recommends in the above table.

Contact your local Rockfon technical service representative for more information on suitable downlights, accessories and availability of CAD drawings of the different services integrated in Rockfon Hub. Special solutions with integrated services are, if available, shown in the section 'Specific Solutions'.

Drawing A

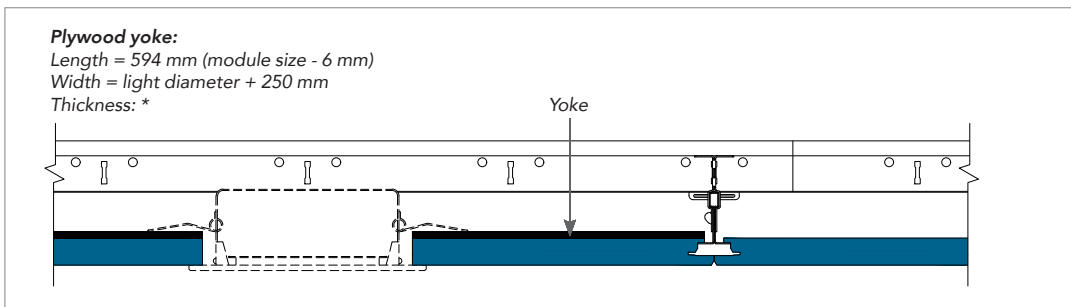
The integration of a spotlight, smoke detector, speaker, etc. (weighing < 0.25 kg/pcs).



Drawing B

The integration of a down-, spotlight, smoke detector, loud speaker, etc. (weighing $0.25 \geq 3.0$ kg/pcs).

Usage of a plywood yoke to spread the load on the back of the tile (as shown in the detail) or usage of support arms to spread the load to the grid system is strongly recommended. The use of extra hangers to avoid deflection is strongly recommended.



* The thickness of the plywood or metal yoke needs to be adapted in function of the weight, size and position of your service integration (e.g. downlight or speaker). The Plywood or metal yoke itself may not deflect after installing your service integration.

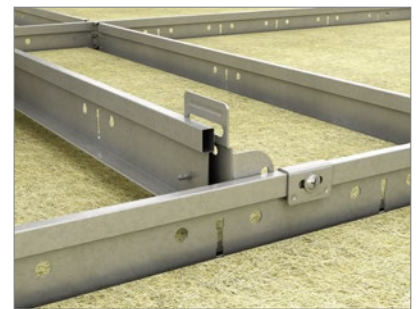
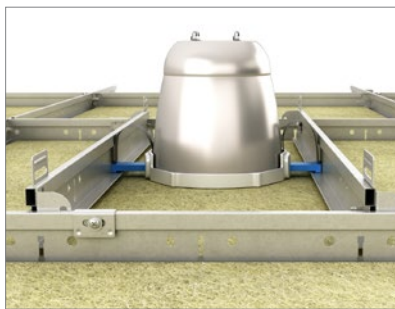
Specific Solutions

Bridging (Eliminate deflection)

Perfectly optimized for our Rockfon Systems, the bridging bracket feature gives the means to secure your T profiles across a variety of panel thicknesses ranging anywhere from 0 mm (only relevant for our Chicago Metallic™ T24 Click 2890 or Chicago Metallic T24 Click 2790) to 20 mm.

Easy to install, the bracket is a versatile, non-combustible tool and can be used for service integrations with different dimensions without the need of a using a yoke.

To install the bridging function of the bracket, simply screw fasten the Wall & bridging bracket for T profiles to your main runners and cross tees, transferring the weight of your service integration to the grid. This ensures that no load rests on the tile, eliminating concerns of deflection.



TIP



If bridging is required, order a Wall & Bridging bracket and Cross tee T24 Click 600 according to your needs.

General installation recommendations

Tiles

We recommend the use of clean nitrile or PU coated gloves when installing Rockfon tiles in order to avoid finger prints and pollution of the surface.

For an optimum work environment, we recommend installers always observe common work practices and follow the installation advice as shown on our packaging.

Cutting is made easy with a sharp knife. All offcuts and holes must be treated according to local Building Regulations.

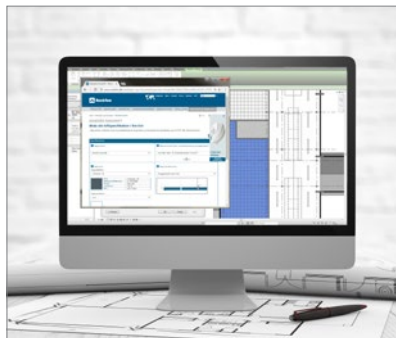
Note! Certain smooth matte surfaces are directional. To ensure consistency of the finished surface, it is important that all tiles are installed in one direction, as indicated by the arrow printed on the back of each panel

Tools

Rockfon has developed specific tools that are available on www.soundsbeautiful.com



Visit our online CAD Library or BIM portal to assist you in your project design.



Generate specification texts for our products on the NBS website.



Explore our vast library of reference projects on our website.

Sounds Beautiful

