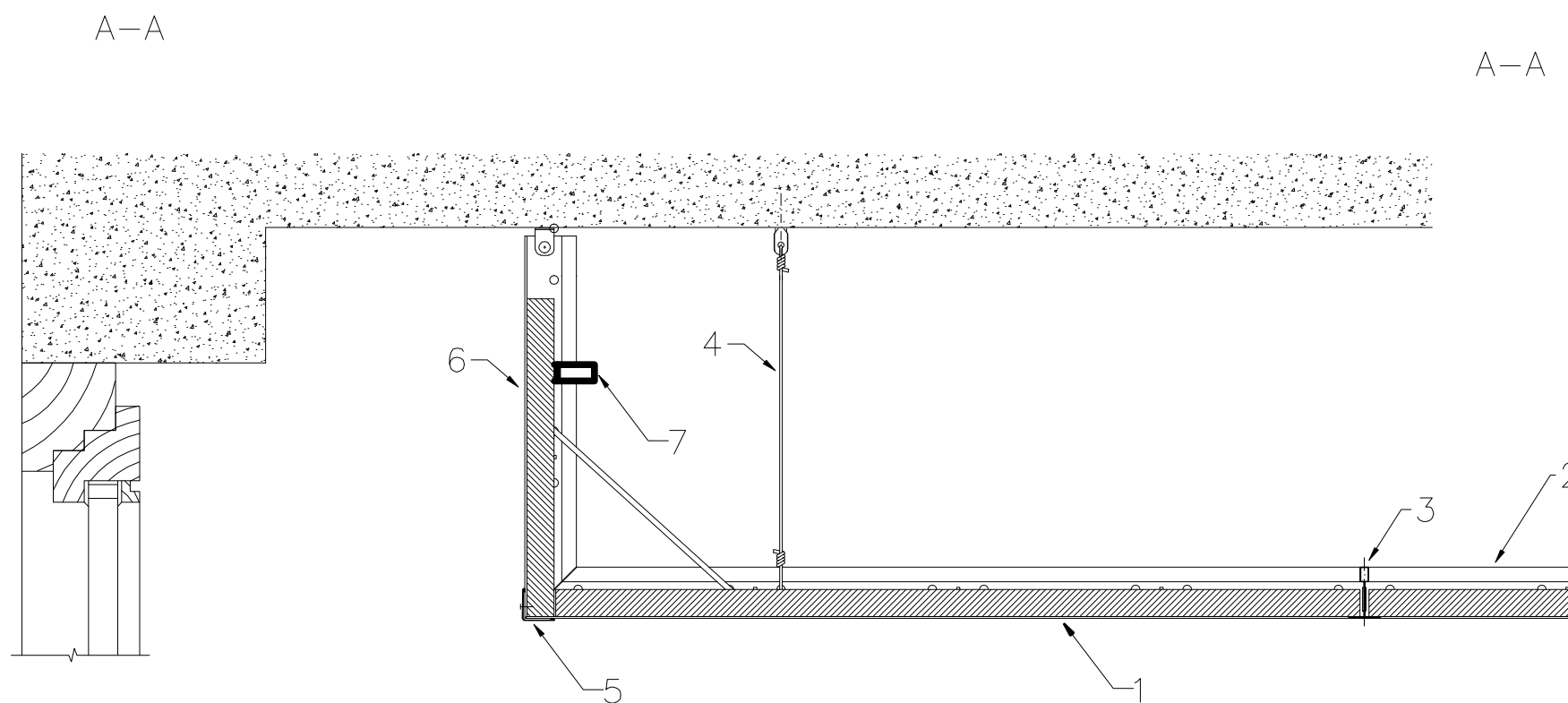


1. Tile ROCKFON with A edge
2. Main runner T24
3. Cross tee T24 1200mm
4. Wire hanger
5. Perimeter angle trim
6. Tile ROCKFON with A edge
7. Hold down clip



All screws and other fastenings shown are indicative and illustrative only.  
Specific fasteners should be chosen dependent on substrates and materials being used.

Information:  
Light from windows – Vertical upstand basic

|                      |               |               |
|----------------------|---------------|---------------|
| Date:                | Drawing Type: |               |
| Drawing No.:         | Drawn by:     | Scale:<br>1:5 |
| Contact Information: |               |               |

We kindly draw your attention to the fact that the above drawings should be considered as guidelines and therefore are without responsibility on the part of Rockfon Limited.

**Rockfon**  
ACTIVATE YOUR CEILING

Tel. +44 (0) 208 222 7457