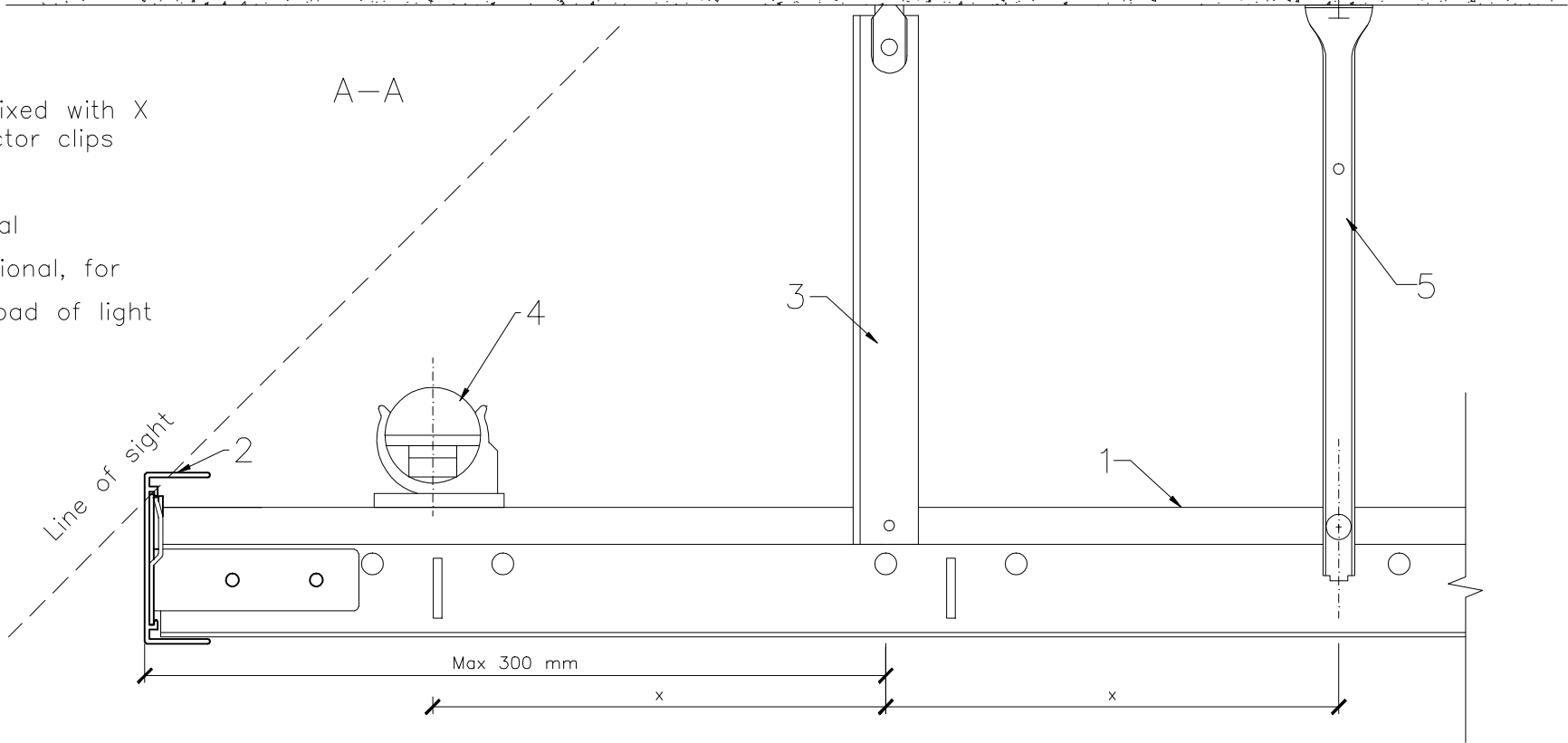
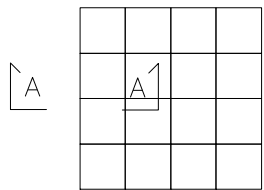


1. Main runner T24
2. RL-US50 channel fixed with X – 501a tee connector clips
3. Adjustable hanger
4. Light unit – optional
5. Rigid hanger – optional, for counteracting the load of light



Floating ceiling incorporating optional light and counteracting rigid hanger. For the best aesthetics, hangers shall be positioned so that they are not seen from floor level, and the surrounding RL-US50 (or deeper) channels shall be fixed using X-501a tee connector clips, thereby avoiding visible fixings.

All screws and other fastenings shown are indicative and illustrative only.

Specific fasteners should be chosen dependent on substrates and materials being used.

Information: Floating ceiling with light integration	Date:		Drawing Type:	
	Drawing No.:		Drawn by:	Scale: 1:2
	Contact Information:			
We kindly draw your attention to the fact that the above drawings should be considered as guidelines and therefore are without responsibility on the part of Rockfon Limited.				

Rockfon[®]
 ACTIVATE YOUR CEILING

Tel. +44 (0) 208 222 7457