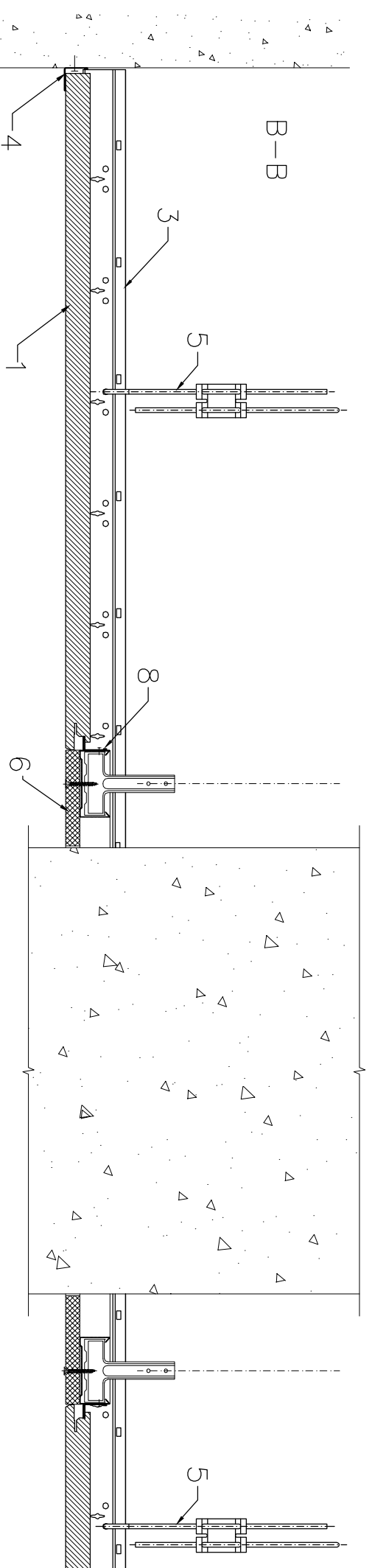
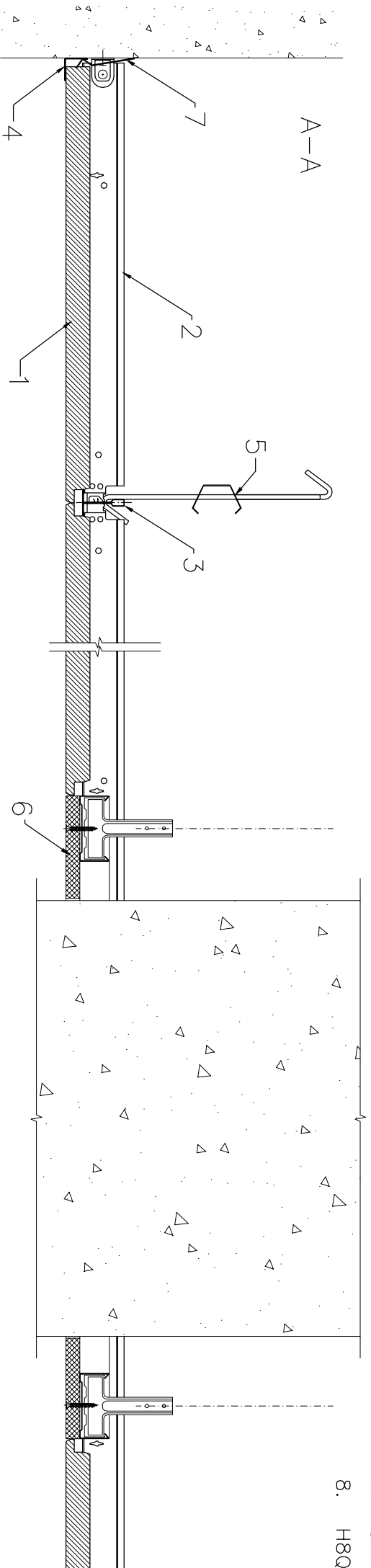


1. Tile ROCKFON SONAR X
2. Cross tee DX24 1800mm
3. Main runner DX24 3700mm
4. Perimeter angle trim
5. Adjustable hanger
6. Gypsum board
7. SMF clamp
8. H8Q perimeter trim



All screws and other fastenings shown are indicative and illustrative only.
Specific fasteners should be chosen dependent on substrates and materials being used.

Information:
Pillars – square gypsum fillout around the pillar

We kindly draw your attention to the fact that the above drawings should be considered as guidelines and therefore are without responsibility on the part of Rockfon.

Date:

Drawing Type:

Drawing No.:

Drawn by:

Scale:
1:5

Contact Information: