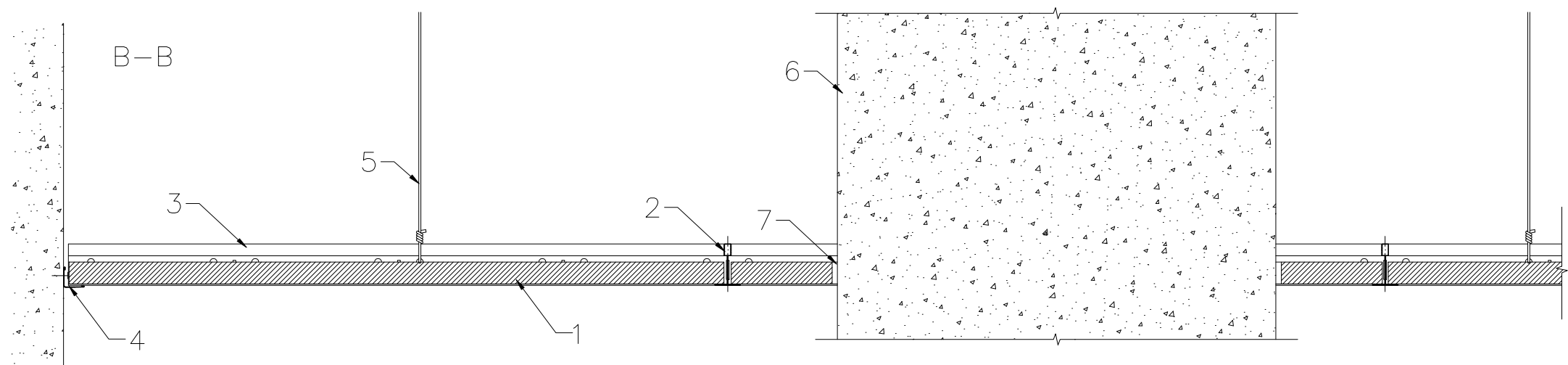
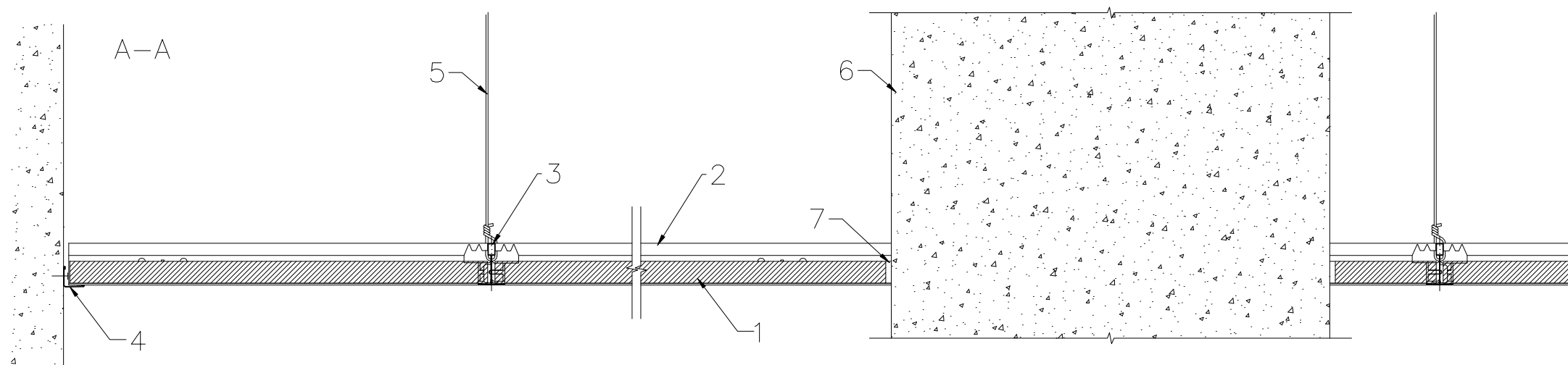


1. Tile ROCKFON with A edge
2. Cross tee T24 1200mm
3. Main runner T24
4. Perimeter angle trim
5. Wire hanger
6. Column
7. Air gap ~ 5-10 mm



All screws and other fastenings shown are indicative and illustrative only.  
Specific fasteners should be chosen dependent on substrates and materials being used.

**Information:**  
Columns – cutout 5-10mm gap (only small columns within a full tile module)

|                      |               |               |
|----------------------|---------------|---------------|
| Date:                | Drawing Type: |               |
| Drawing No.:         | Drawn by:     | Scale:<br>1:5 |
| Contact Information: |               |               |

We kindly draw your attention to the fact that the above drawings should be considered as guidelines and therefore are without responsibility on the part of Rockfon Limited.

**Rockfon**  
ACTIVATE YOUR CEILING

Tel. +44 (0) 208 222 7457