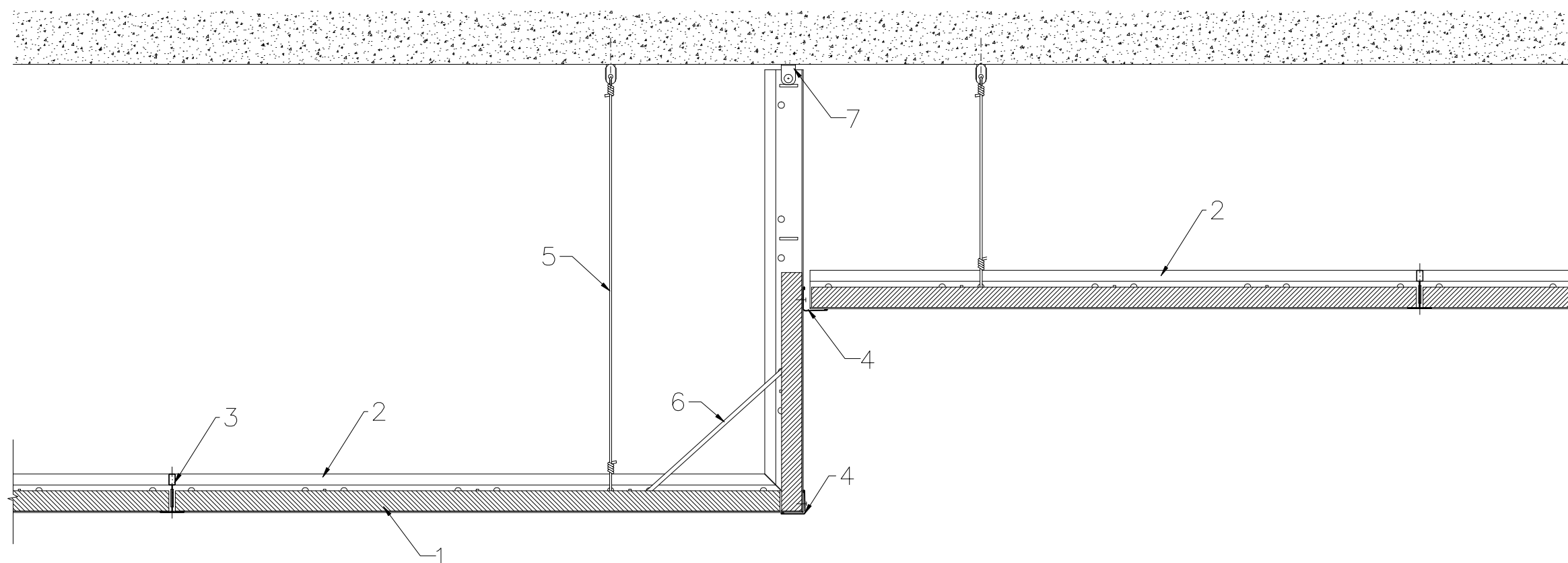


A-A

1. Tile ROCKFON with A edge
2. Main runner T24
3. Cross tee T24 1200mm
4. Perimeter angle trim
5. Adjustable hanger
6. Wire bracing tie
7. Fixing and angle bracket



All screws and other fastenings shown are indicative and illustrative only.  
Specific fasteners should be chosen dependent on substrates and materials being used.

Information:  
Level shift – standard ROCKFON solution

Date:	Drawing Type:	
Drawing No.:	Drawn by:	Scale: 1:5
Contact Information:		

We kindly draw your attention to the fact that the above drawings should be considered as guidelines and therefore are without responsibility on the part of Rockfon Limited.

**Rockfon**  
ACTIVATE YOUR CEILING

Tel. +44 (0) 208 222 7457