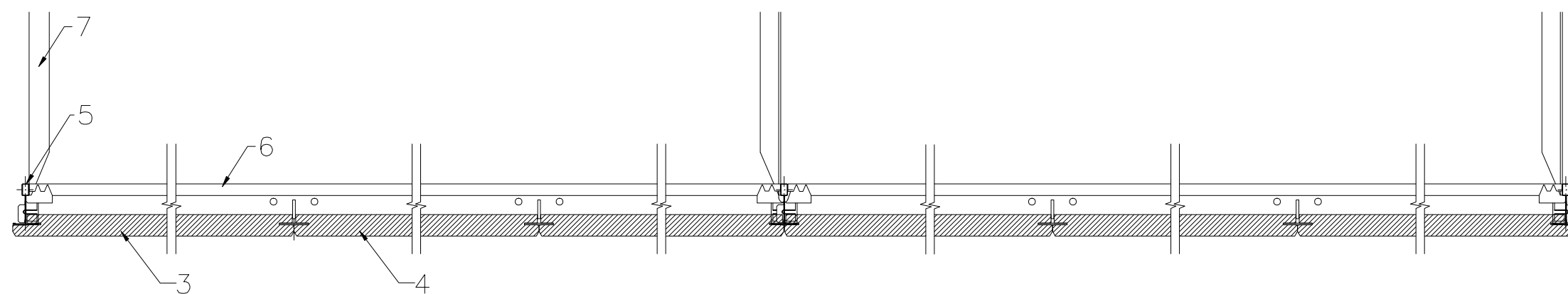
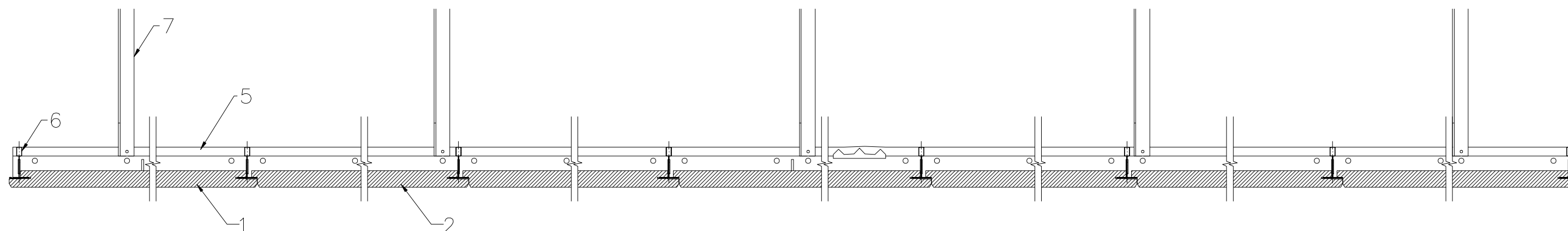


1. Tile ROCKFON with D2/D2 edge
2. Tile ROCKFON with D1/D2 edge
3. Tile ROCKFON with D2/C edge
4. Tile ROCKFON with C/C edge
5. Main runner T24
6. Cross tee T24 1800mm
7. Rigid angle hanger

A-A



B-B



All screws and other fastenings shown are indicative and illustrative only.
Specific fasteners should be chosen dependent on substrates and materials being used.

Information:
Ceiling height – D-edge island

Date:

Drawing Type:

Drawing No.:

Drawn by:

Scale:

1:5

Contact Information:

We kindly draw your attention to the fact that the above drawings should be considered as guidelines and therefore are without responsibility on the part of Rockfon Limited.

Rockfon
ACTIVATE YOUR CEILING

Tel. +44 (0) 208 222 7457