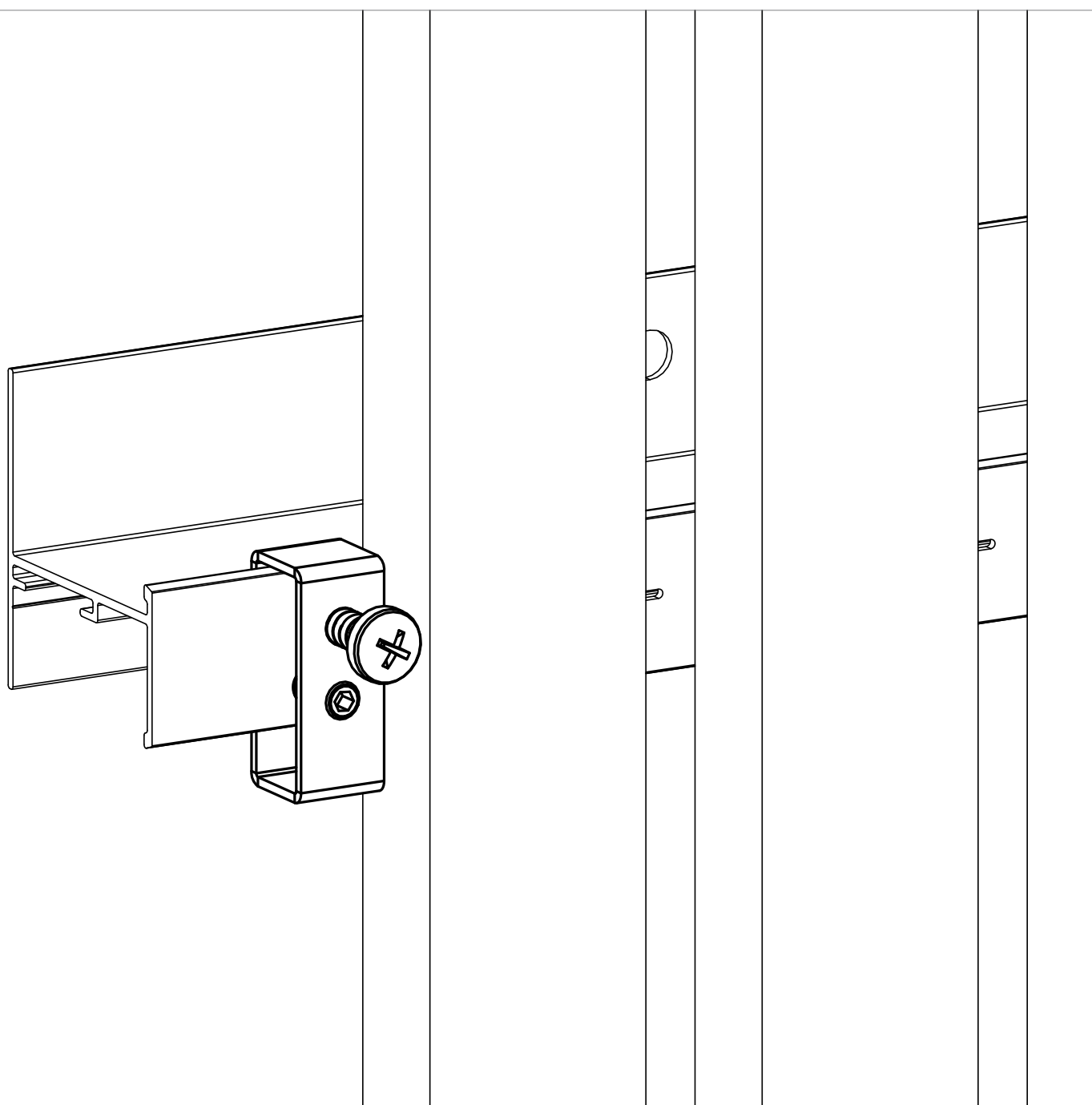


UNIVERSAL SUSPENSION BRACKET

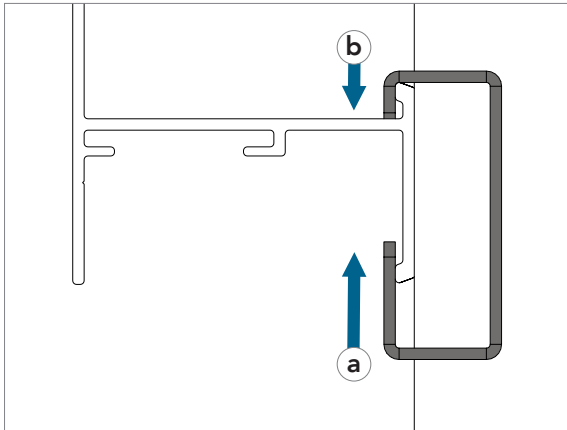
## **Rockfon**<sup>®</sup> **Lamella**<sup>™</sup>

How to mount the universal suspension bracket.



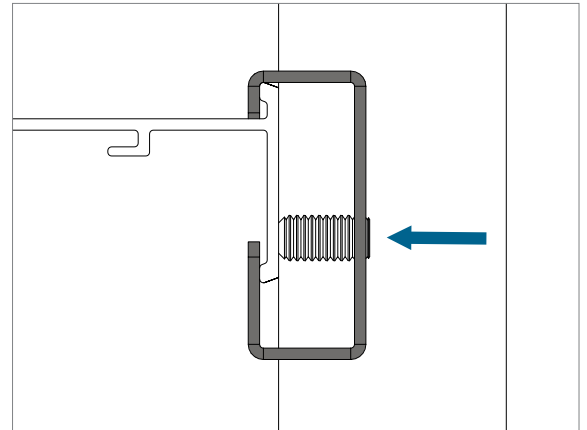
## Installation

**1** Slide in Universal Bracket.



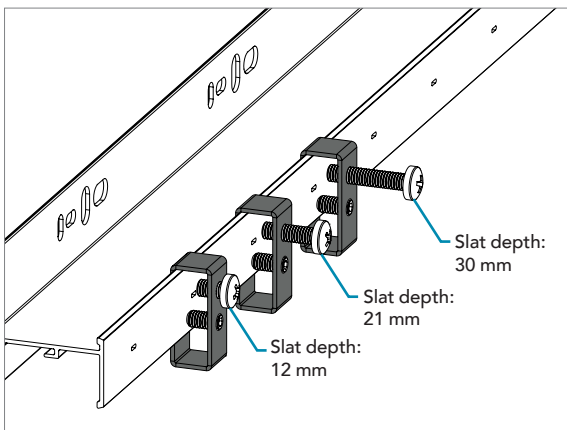
a) First insert the bottom part of the Universal Bracket onto the Middle profile and push it up.  
b) Then insert the upper part of the Universal Bracket onto the Middle profile and push it down.

**2** Fasten Set Screw.



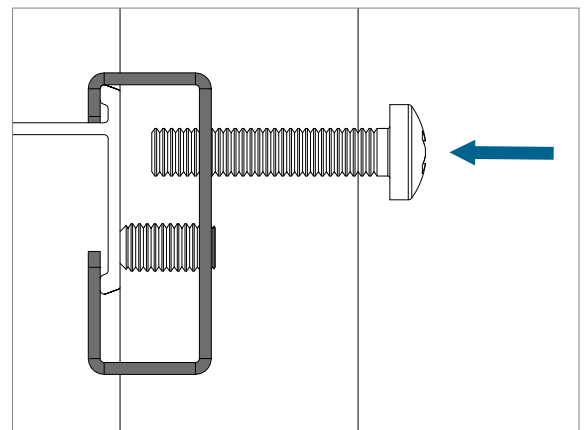
Fasten the set screw to secure the Universal Bracket onto the Middle profile.

**3** Select screw that matches Lamella Slat depth.



Make sure to select the screw that matches the highest slat depth variant applied in the design.

**4** Insert screw.



Insert the suspension screw in the Universal Bracket.

# Sounds Beautiful

