

INSTALLATION GUIDE

Rockfon[®] Canva[™] Wall panel



Statement design
Flawless acoustics

- Beautiful design and brilliant acoustics combined in a single versatile design element
- Arrives fully assembled; just mount to the wall
- Robust frame and easy to clean materials
- No material waste at installation

Sounds Beautiful

Description

Rockfon Canva Wall panels are modular and easy to install. They arrive fully assembled, and are the safe, flexible, durable and modern solution that can be custom-designed to fit any space or location.

The product includes a 40 mm stone wool absorber with a 61 mm powder coated matte aluminum frame. The front is covered with a printed, detachable and replaceable stretch textile canvas available in a multitude of colour and graphic options.

Restrictions

We recommend not to use Rockfon Canva Wall panel in high humidity areas like swimming pools or outside environments. Also, we recommend not to install Rockfon Canva Wall panel in areas subject to direct sunlight.



61 mm powder coated matt aluminum frame and rounded corners.



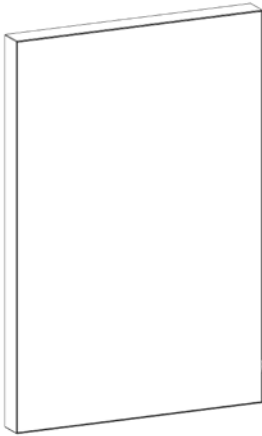
Printed, detachable and replaceable stretch textile canvas.



The handtag is always positioned in the lower right corner and can be tucked in if desired.

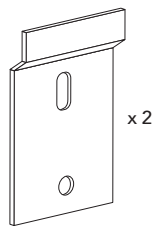
System components

Panel






Components

1. Wall bracket*



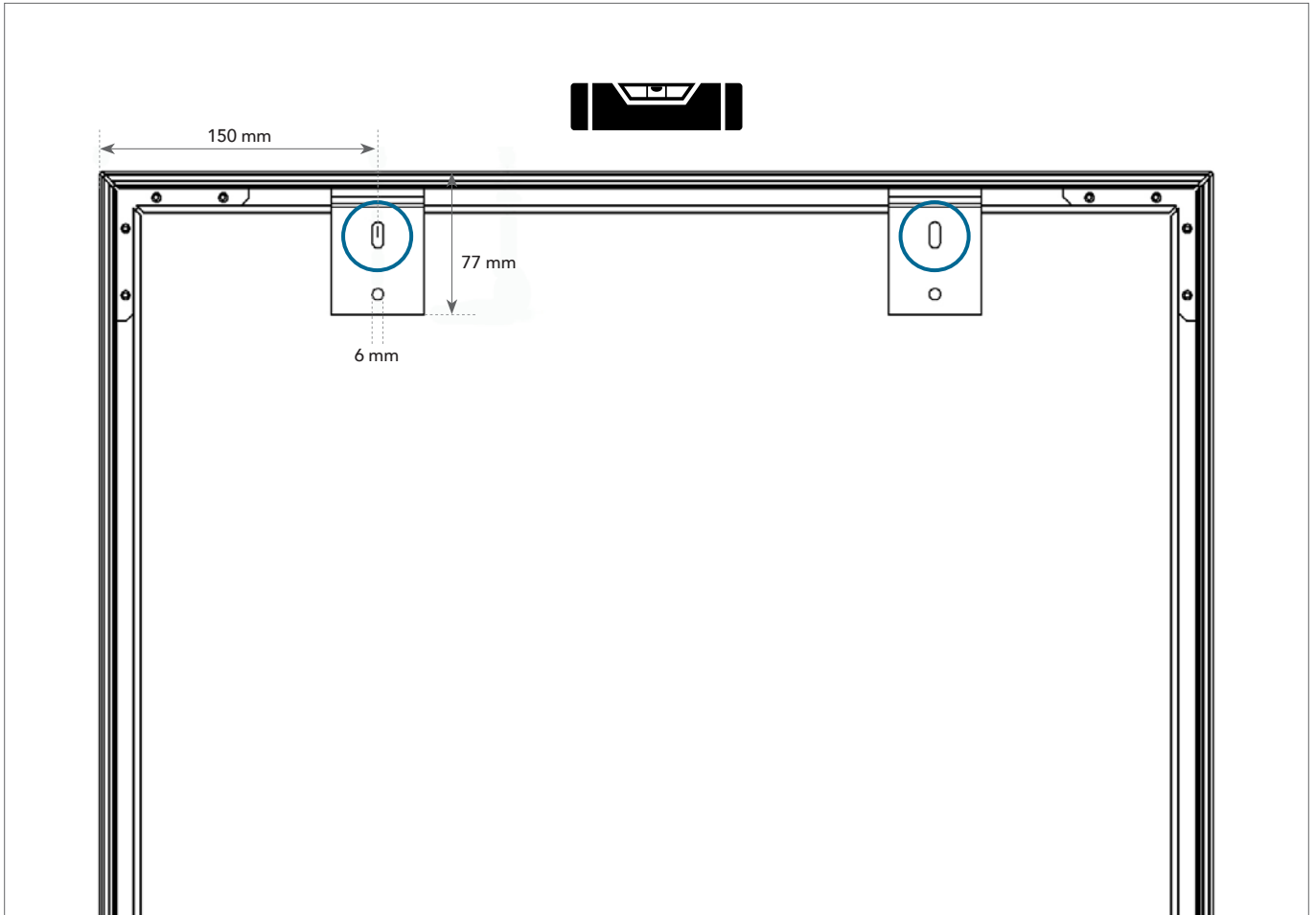
** If panel width is >2500 mm,
3 wall brackets are needed
and included in the box.*

Tool List

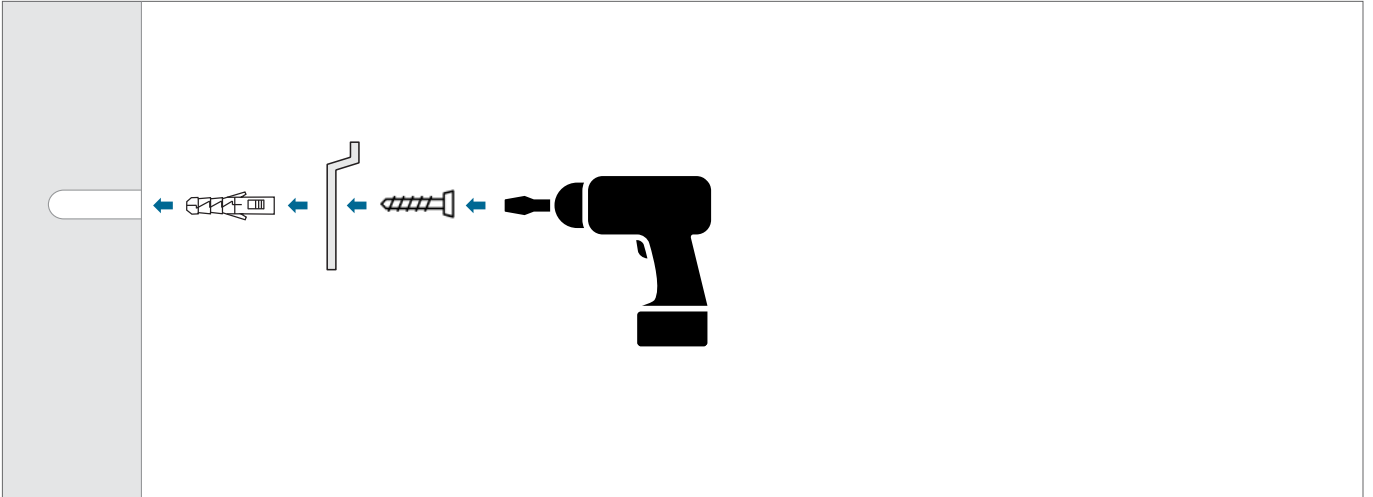
Tools	Drill machine	Screw machine	Level
			

Installation

- 1 Mark the drilling points of your planned installation.

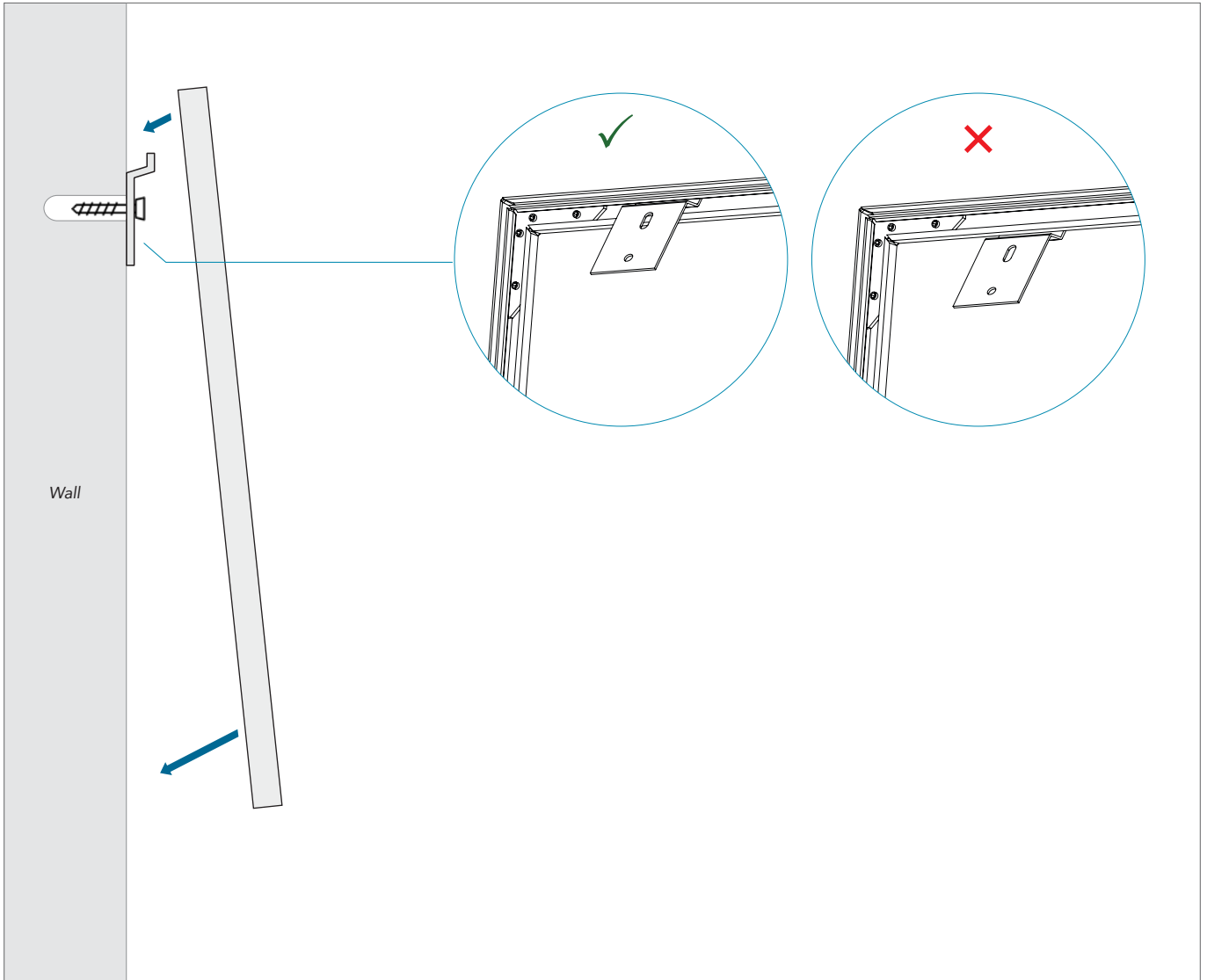


- 2 Fixate the wall brackets onto the designated wall surface.



Use mounting screws and methods appropriate for the wall material.

3 Mount the Rockfon Canva Wall panel.



Ensure the handtag is always positioned in the lower right corner.

Care and maintenance

To ensure optimal performance and appearance of your Rockfon Canva panels, regular cleaning of the surface is an important step. The acoustic detachable canvas is naturally resistant to moisture, which inhibits the growth of microorganisms without any additional treatments.

Cleaning

Dusting / Vacuuming:

Needs to be done on a regular basis to hinder the accumulation of dust and dirt on both frame and canvas fabric. Use a soft brush when dusting/vacuuming as it will treat the panels more gently.

Cleaning with soap and water:

Use liquid soap or a similar universal cleaning product in warm water. Wipe down with a clean cloth or a clean soft sponge. Squeeze the cloth or sponge out well in order to not over wet the acoustic panels.

Machine wash:

Remove the canvas fabric by pulling the Rockfon handtag in the bottom right corner until it comes loose from the frame. The canvas supports frequent machine wash up to 70°C. Make sure that the canvas is dry when mounted again.

Stain removal:

In case of stains on your acoustic panels, we recommend to react to them as quickly as possible. Try to soak up any excess liquid before it has time to soak in and dry out in the canvas fabric or the underlying acoustic base material. Proceed with the above mentioned guidelines for cleaning with water and soap for finalizing stain removal. If cleaning with water and soap does not remove the stain completely, then remove the canvas and machine wash it.

Disinfection

Ethanol / Alcohol:

Ethanol / alcohol-based disinfectants can be used without damaging the canvas fabric nor the print. Concentration should be between 70-85%. Always follow the specific manufacturer's instructions.

Antibacterial spray / wipes:

Antibacterial wipes or spray and wipe can be used to disinfect the acoustic panels without damaging the canvas fabric nor the print. Always follow the specific manufacturer's instructions.

Steam cleaning:

Steam cleaning can be used to disinfect your Rockfon Canva panels without the use of chemicals. Always follow instructions and safety guidelines.

Additional features

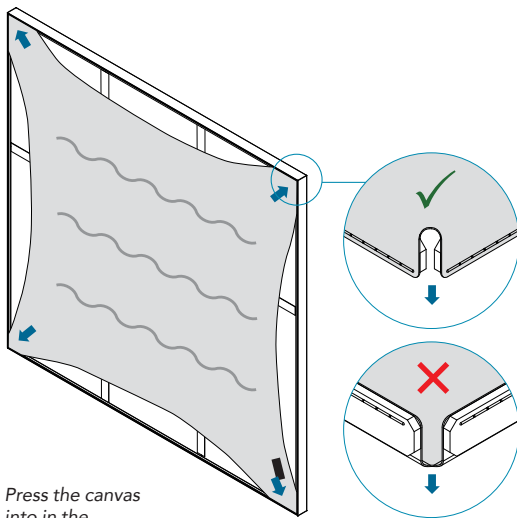
Detach and replace canvas

Remove the canvas fabric by pulling the Rockfon handtag in the bottom right corner until it comes loose from the frame.

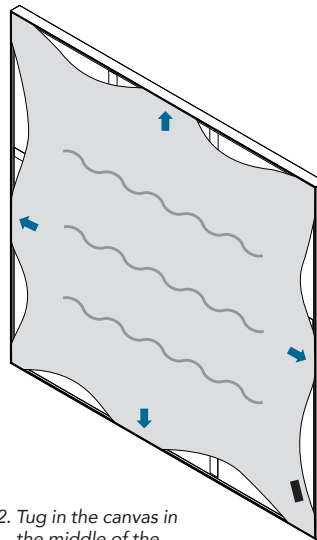
Ordering a new canvas

Update the message, mood and energy in the room by refreshing your Canva surface. Contact your Rockfon partner to order a new canvas.

Remount the canvas

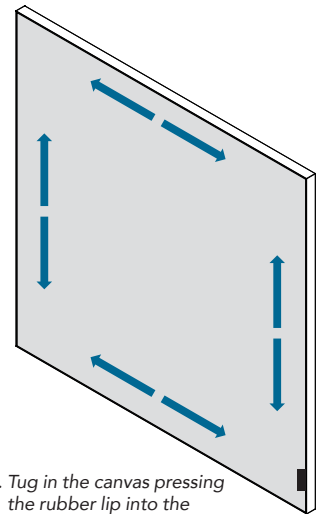


1. Press the canvas into in the groove in the frame corners.



2. Tug in the canvas in the middle of the frame groove to avoid accumulating fabric as you work your way around the frame.

Never stretch the rubber lip.



3. Tug in the canvas pressing the rubber lip into the groove up, down and side to side. Work section by section for an even distribution of tension over the canvas without creases or wrinkles.

Tip: Use a plastic card as a tool to secure the rubber lips competently into the groove, eliminating the last small creases.

Tools

Rockfon has developed specific tools that are available on cee.rockfon.international



Visit our online CAD Library or BIM portal to assist you in your project design.



Generate specification texts for our products on our website.



Explore our vast library of reference projects on our website.

Sounds Beautiful

