

# Rockfon<sup>®</sup> Canva<sup>™</sup> Floor screen



## Statement Design Flawless Acoustics

- Bring design flexibility and acoustic excellence to modern interiors
- Three different base-designs that allow for customisation of the product based on your design layout
- Arrives fully assembled, just secure the base to the frame

**Sounds Beautiful**

## Description

**Rockfon Canva Floor screen** is the flexible way to decorate interior environments that needs efficient sound management and flexible floor plan.

The product includes a 40 mm stone wool absorber with a 61 mm powder coated matte aluminum frame. The front is covered with a printed, detachable and replaceable stretch textile canvas available in a multitude of colour and graphic options.

The floor screen comes with 3 different options for the base, allowing you to have mobile or stationary acoustic floor screen elements.

### Restrictions

We recommend not to use Rockfon Canva Floor screen in high humidity areas like swimming pools or outside environments.

Also, we recommend not to install Rockfon Canva Floor screen in areas subject to direct sunlight.



Three different base-designs: flat, wheeled, or elevated. The wheeled base can be locked to ensure the stability of the floor screen.



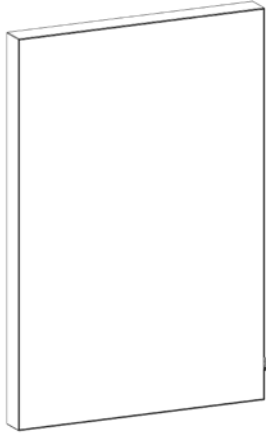
Printed, detachable and replaceable stretch textile canvas.



The handtag is always positioned in the lower right corner and can be tucked in if desired.

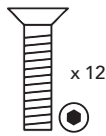
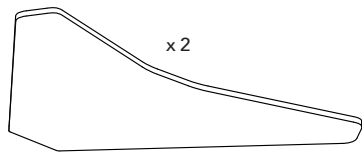
## System components

### Panel

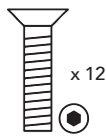
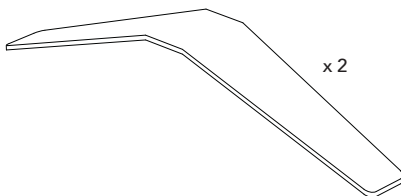


### Components

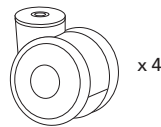
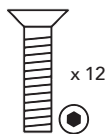
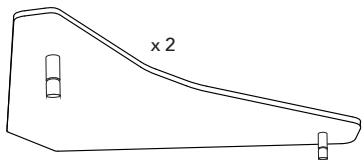
#### 1. Flat base kit



#### 2. Elevated base kit



#### 3. Wheeled base kit



### Tool List

Tools	Screw machine	Screw driver

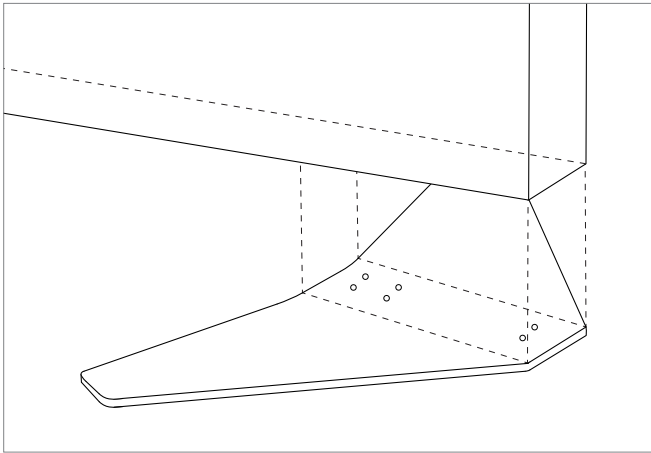
# Installation

There are 3 different kinds of installation,  
depending on the base design:

1	FLAT BASE .....	5
2	ELEVATED BASE .....	6
3	WHEELED BASE .....	7

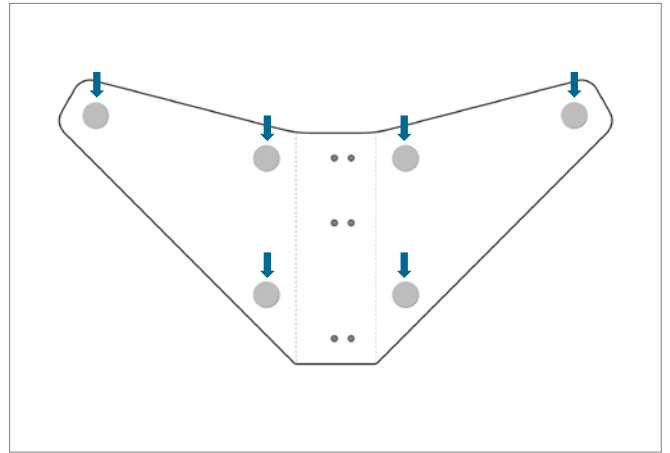
## 1. FLAT BASE

### 1 Positioning of the flat base.

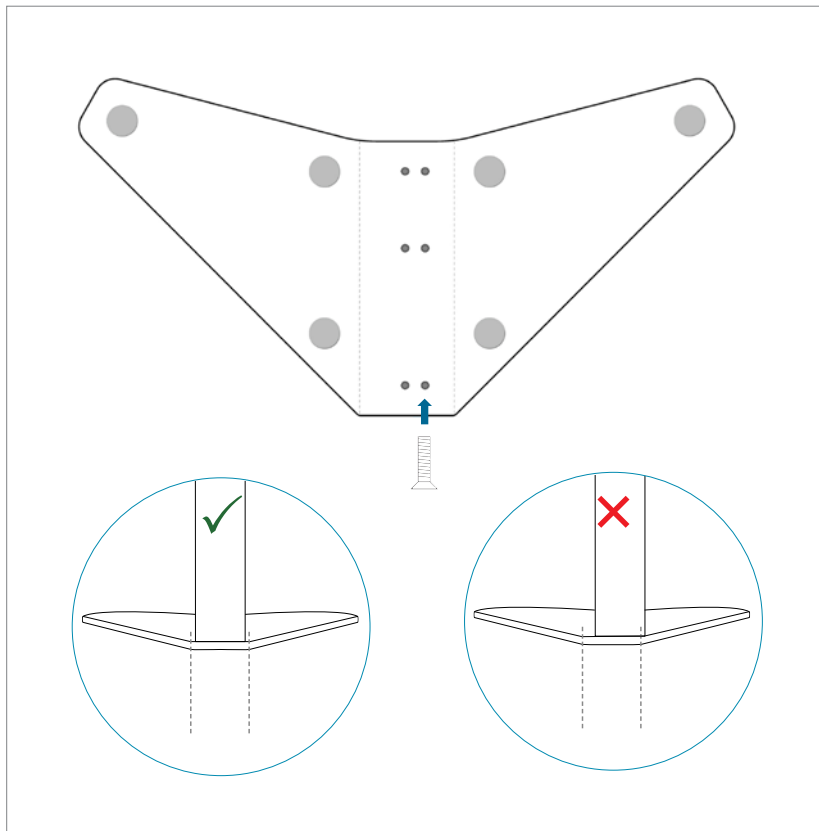


Position the flat base pointing inward. This enables the creation of 90° angle cubicle corners and placement of Rockfon Canva Floor Screens directly next to one another or against walls.

### 2 Placement of the pads.

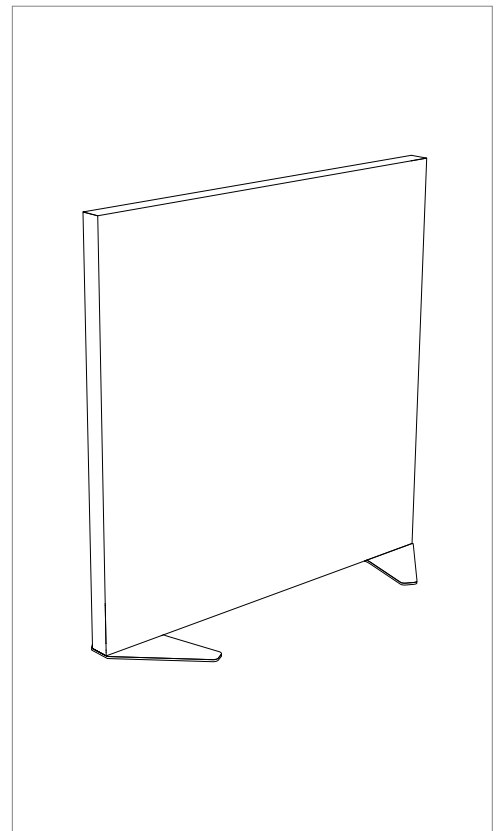


### 3 Mounting of the flat base.



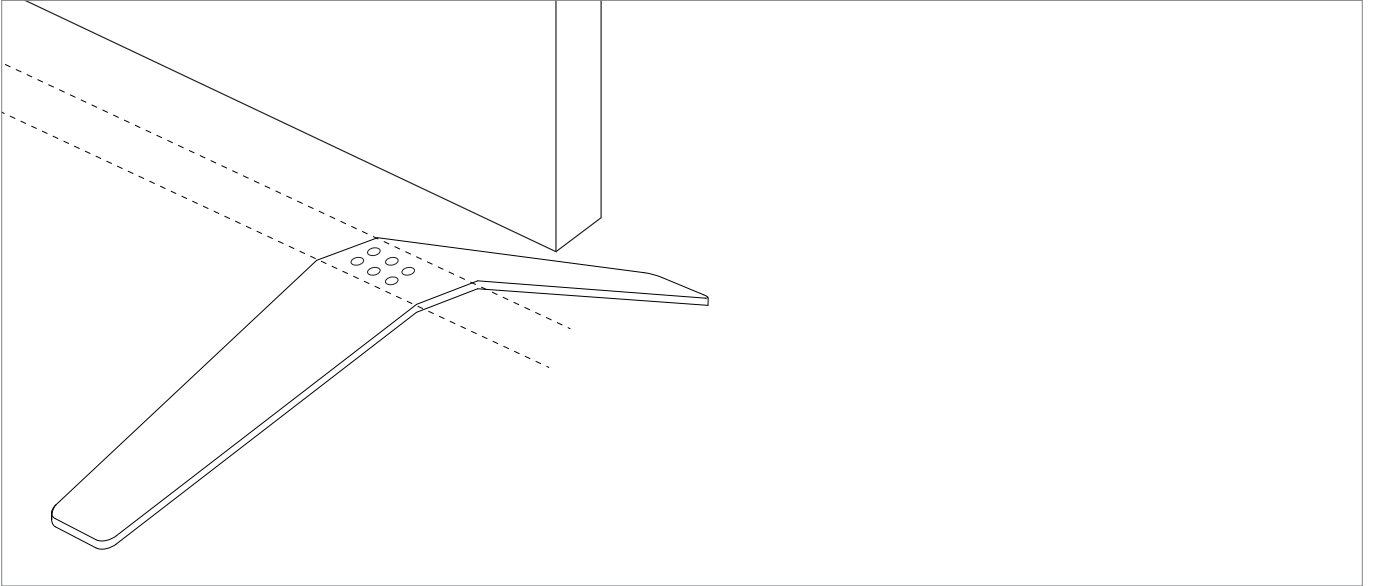
Make sure to mount the flat base in the correct way (base screw holes are asymmetrical). Use the M5 countersunk head screws with 3 mm hexagon socket. Use gently a screw machine at low speed and force and use **allen key to secure proper final fastening of the screws.**

### 4 End result.

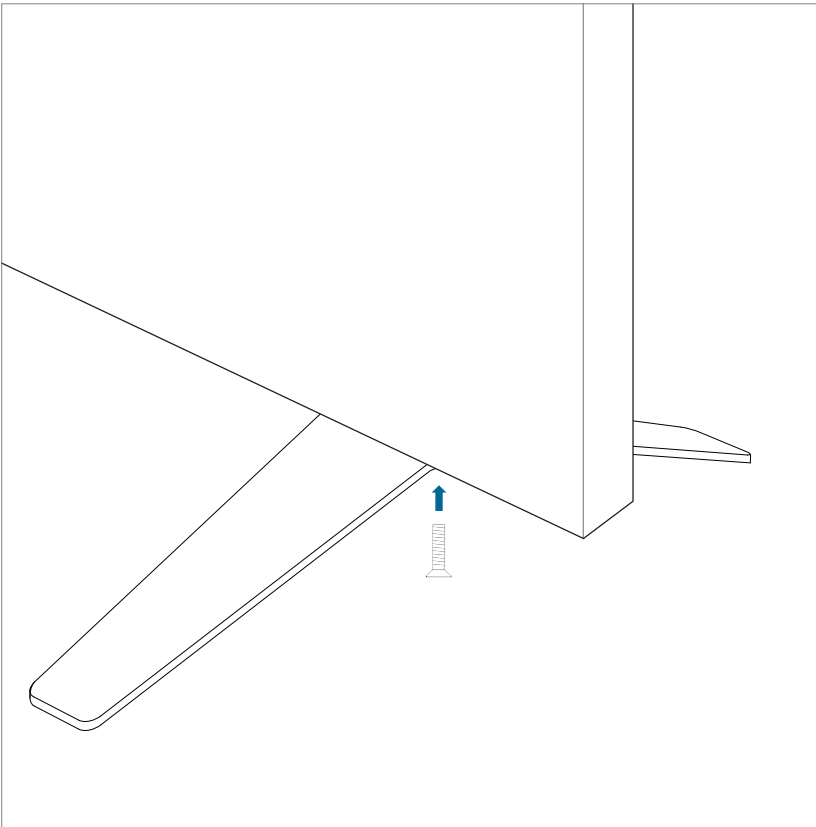


## 2. ELEVATED BASE

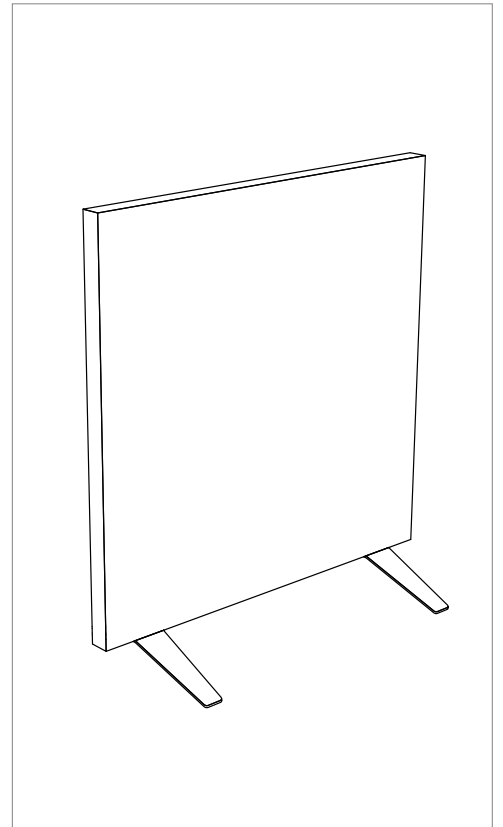
### 1 Positioning of the elevated base.



### 2 Mounting of the elevated base.



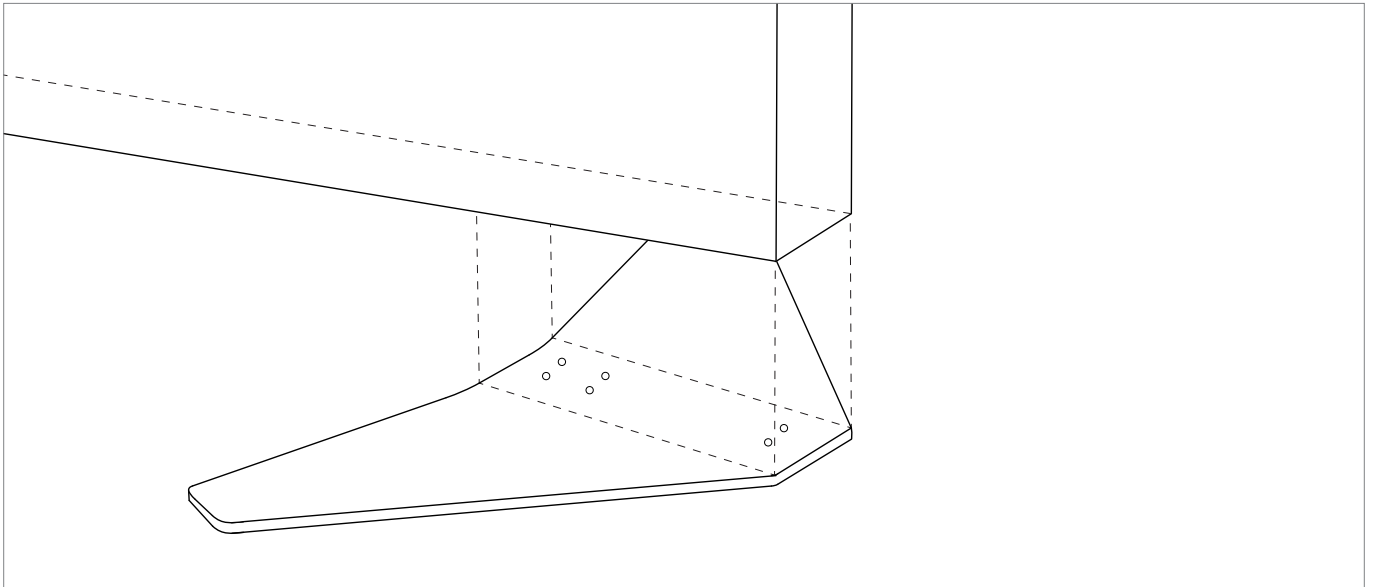
### 3 End result.



Use the M5 countersunk head screws with 3 mm hexagon socket.  
Use gently a screw machine at low speed and force and use **allen key** to secure proper final fastening of the screws.

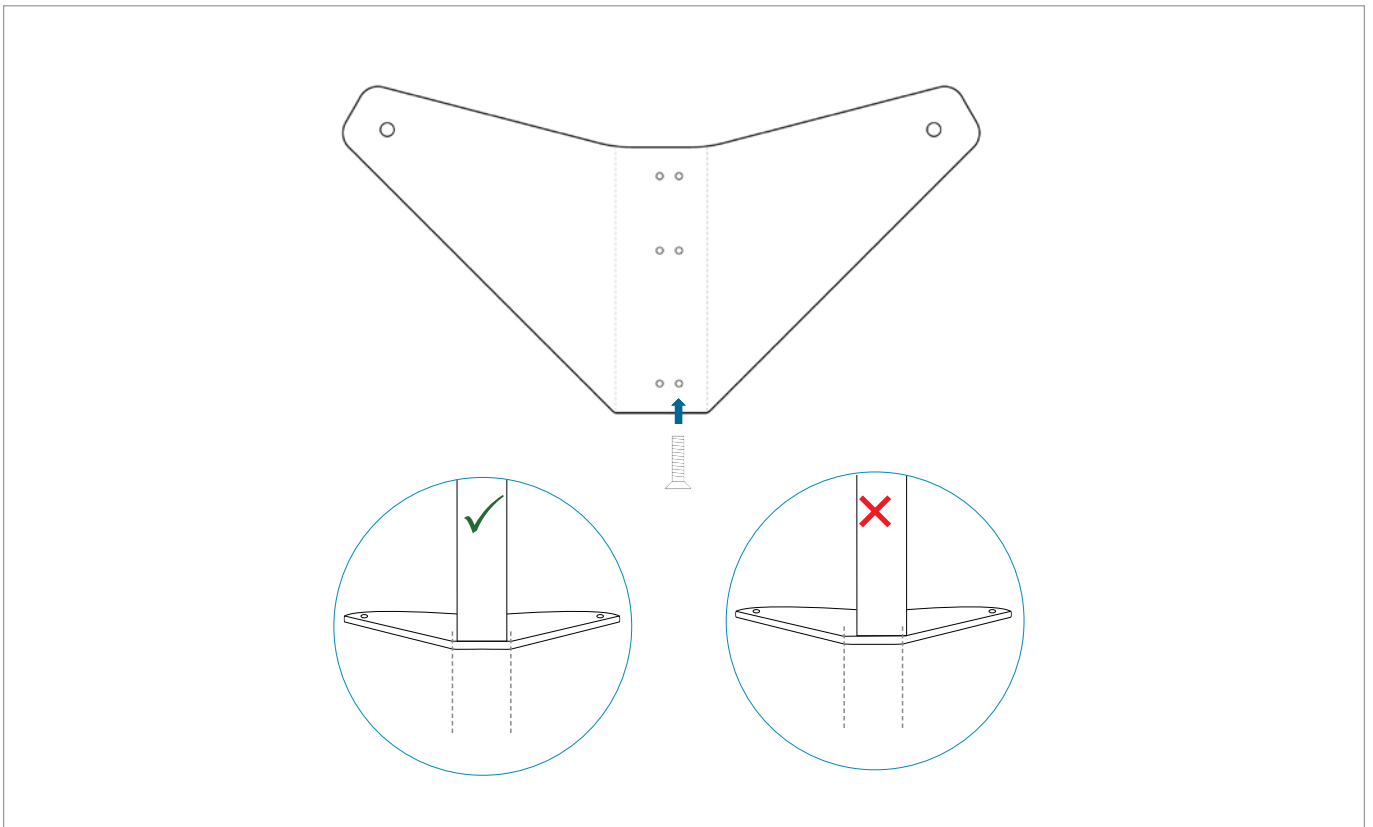
### 3. WHEELED BASE

#### 1 Positioning of the wheeled base.



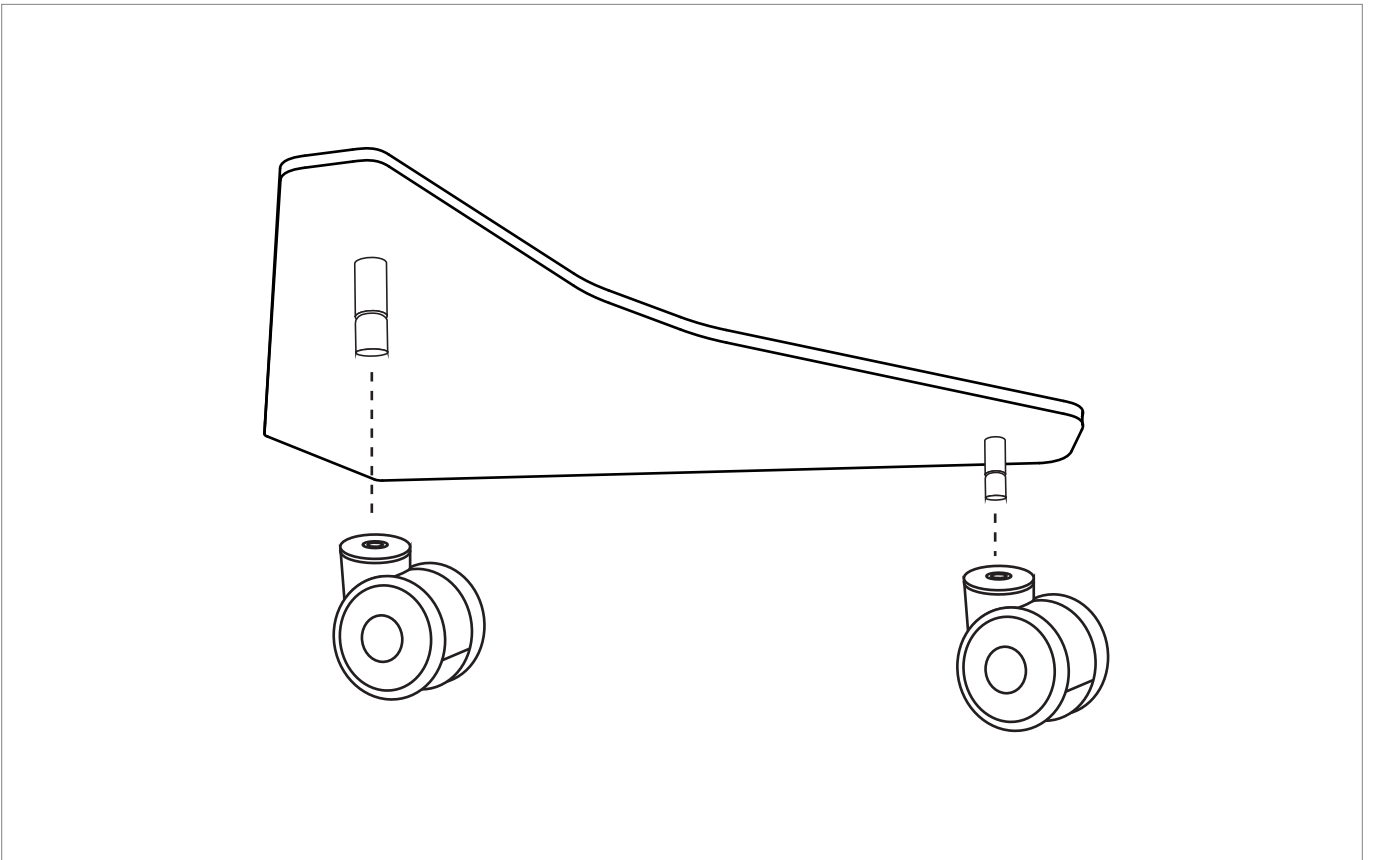
Positioning the wheeled base pointing inward enables the creation of 90° cubicle corners and placement of Rockfon Canva Floor Screens directly next to one another "or against walls".

#### 2 Mounting of the wheeled base.

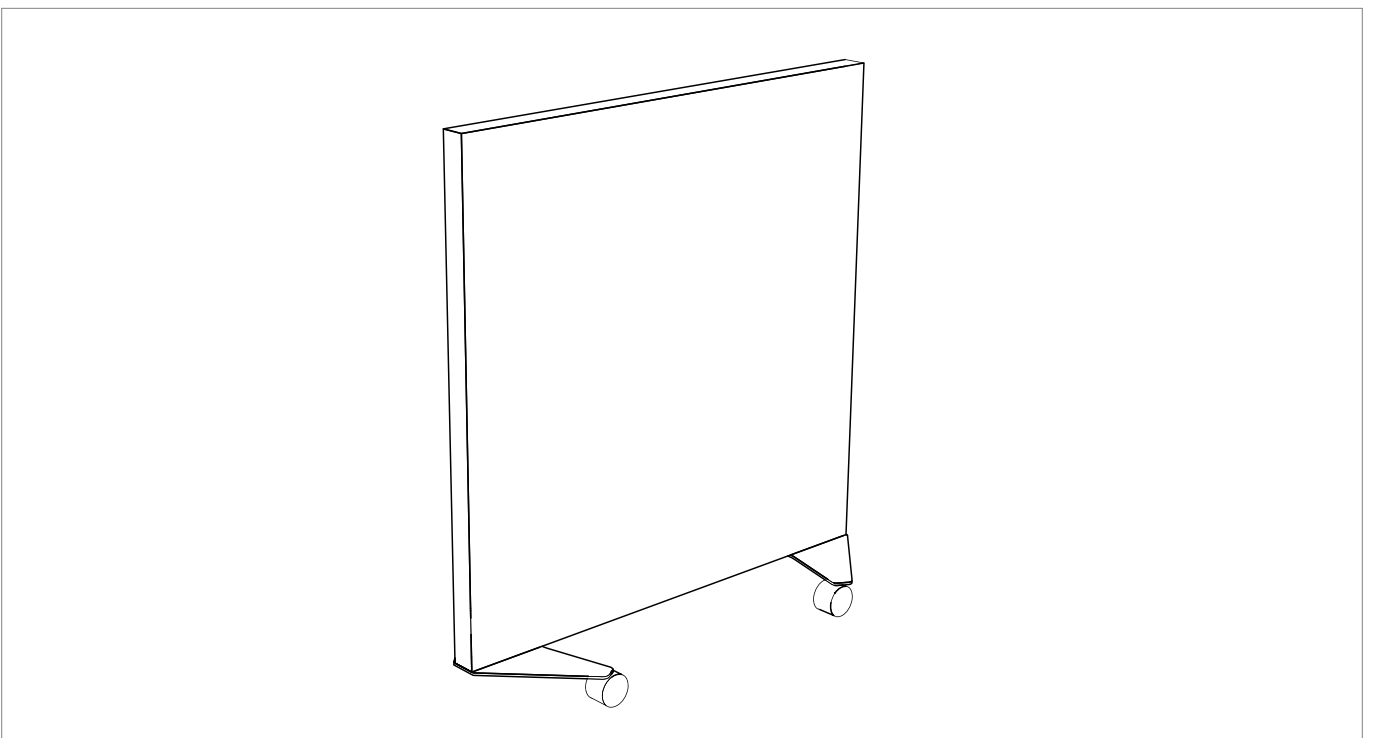


Make sure to mount the wheeled base in the correct way (base screw holes are asymmetrical). Use the M5 countersunk head screws with 3 mm hexagon socket. Use gently a screw machine at low speed and force and use **allen key to secure proper final fastening of the screws.**

**3** Click on the wheels.



**4** End result.





## Care and maintenance

To ensure optimal performance and appearance of your Rockfon Canva panels, regular cleaning of the surface is an important step. The acoustic detachable canvas is naturally resistant to moisture, which inhibits the growth of microorganisms without any additional treatments.

### Cleaning

#### Dusting / Vacuuming:

Needs to be done on a regular basis to hinder the accumulation of dust and dirt on both frame and canvas fabric. Use a soft brush when dusting/vacuuming as it will treat the panels more gently.

#### Cleaning with soap and water:

Use liquid soap or a similar universal cleaning product in warm water. Wipe down with a clean cloth or a clean soft sponge. Squeeze the cloth or sponge out well in order to not over wet the acoustic panels.

#### Machine wash:

Remove the canvas fabric by pulling the Rockfon handtag in the bottom right corner until it comes loose from the frame. The canvas supports frequent machine wash up to 70°C. Make sure that the canvas is dry when mounted again.

#### Stain removal:

In case of stains on your acoustic panels, we recommend to react to them as quickly as possible. Try to soak up any excess liquid before it has time to soak in and dry out in the canvas fabric or the underlying acoustic base material. Proceed with the above mentioned guidelines for cleaning with water and soap for finalizing stain removal. If cleaning with water and soap does not remove the stain completely, then remove the canvas and machine wash it.

### Disinfection

#### Ethanol / Alcohol:

Ethanol / alcohol-based disinfectants can be used without damaging the canvas fabric nor the print. Concentration should be between 70-85%. Always follow the specific manufacturer's instructions.

#### Antibacterial spray / wipes:

Antibacterial wipes or spray and wipe can be used to disinfect the acoustic panels without damaging the canvas fabric nor the print. Always follow the specific manufacturer's instructions.

#### Steam cleaning:

Steam cleaning can be used to disinfect your Rockfon Canva panels without the use of chemicals. Always follow instructions and safety guidelines.

## Additional features

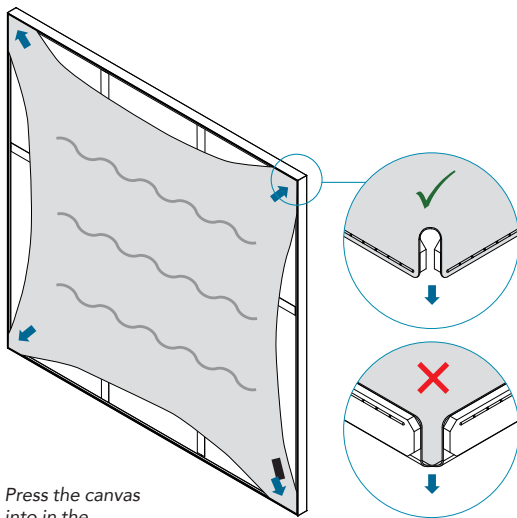
### Detach and replace canvas

Remove the canvas fabric by pulling the Rockfon handtag in the bottom right corner until it comes loose from the frame.

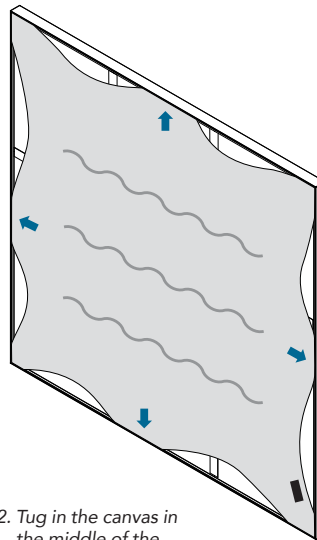
### Ordering a new canvas

Update the message, mood and energy in the room by refreshing your Canva surface. Contact your Rockfon partner to order a new canvas.

### Remount the canvas

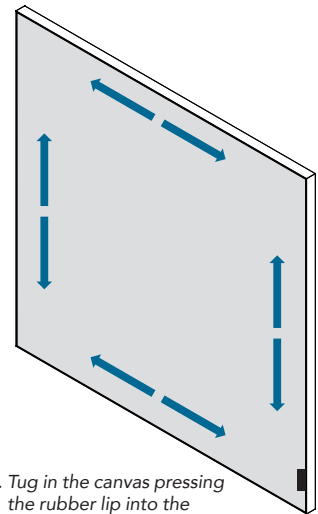


1. Press the canvas into in the groove in the frame corners.



2. Tug in the canvas in the middle of the frame groove to avoid accumulating fabric as you work your way around the frame.

Never stretch the rubber lip.



3. Tug in the canvas pressing the rubber lip into the groove up, down and side to side. Work section by section for an even distribution of tension over the canvas without creases or wrinkles.

**Tip:** Use a plastic card as a tool to secure the rubber lips competently into the groove, eliminating the last small creases.

## Tools

Rockfon has developed specific tools that are available on [cee.rockfon.international](http://cee.rockfon.international)



Visit our online CAD Library or BIM portal to assist you in your project design.



Generate specification texts for our products on our website.



Explore our vast library of reference projects on our website.

# Sounds Beautiful

