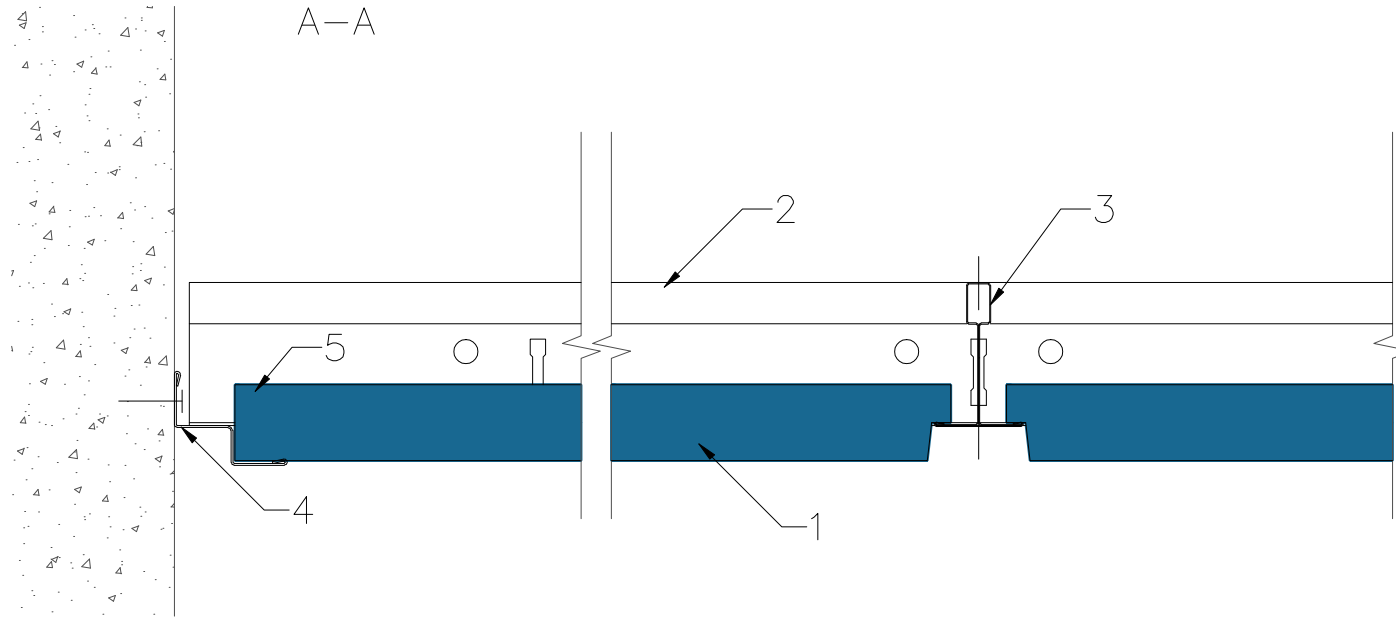


1. Tile ROCKFON, edge E24
2. Cross Tee T24 C38 1800 white
3. Cross Tee T24 C38 600 white
4. Shadow trim RFN1015
5. Edge cut straight



All screws and other fastenings shown are indicative and illustrative only.
Specific fasteners should be chosen dependent on substrates and materials being used.

Information: We kindly draw your attention to the fact that the above drawings should be considered as guidelines and therefore are without responsibility on the part of Rockfon.	Date: 18.02.2014		Drawing Type:	
	Drawing No.: 21.2.3.Rockfon XL T24 A/E		Drawn by:	Scale: 1:2
	Contact Information:			

