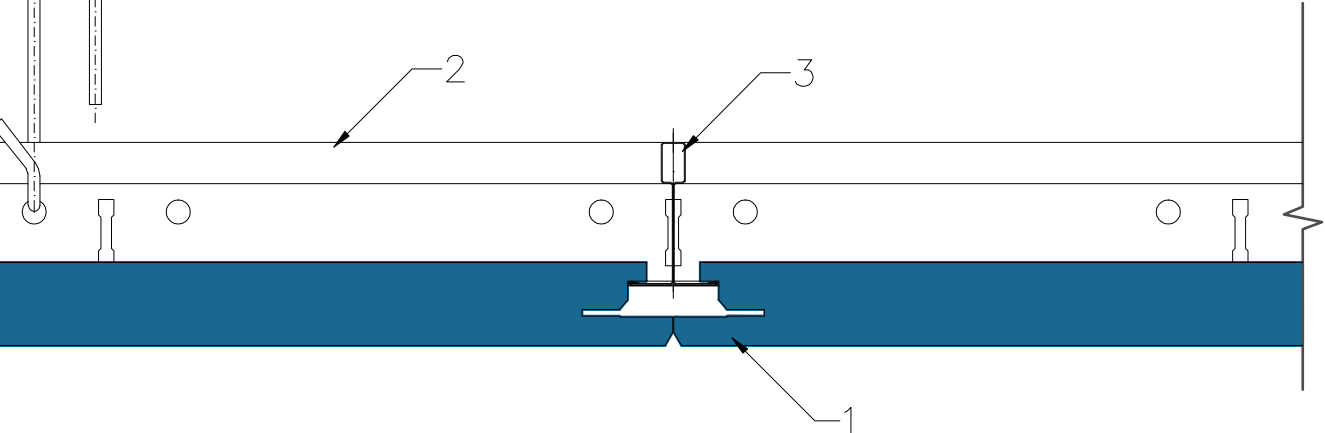


1. Tile ROCKFON, edge X
2. Mainrunner T24 C/H38 3600 white
3. Cross Tee T24 C38 1200 white
4. Adjustable hanger
5. Shadow trim RFN1015
6. Wedge



All screws and other fastenings shown are indicative and illustrative only.  
 Specific fasteners should be chosen dependent on substrates and materials being used.

Information:

We kindly draw your attention to the fact that the above drawings should be considered as guidelines and therefore are without responsibility on the part of Rockfon.

Date:  
06.03.2014

Drawing No.:  
22.1.6.Rockfon T24 X

Contact Information:

Drawing Type:

Drawn by:      Scale:  
1:2

