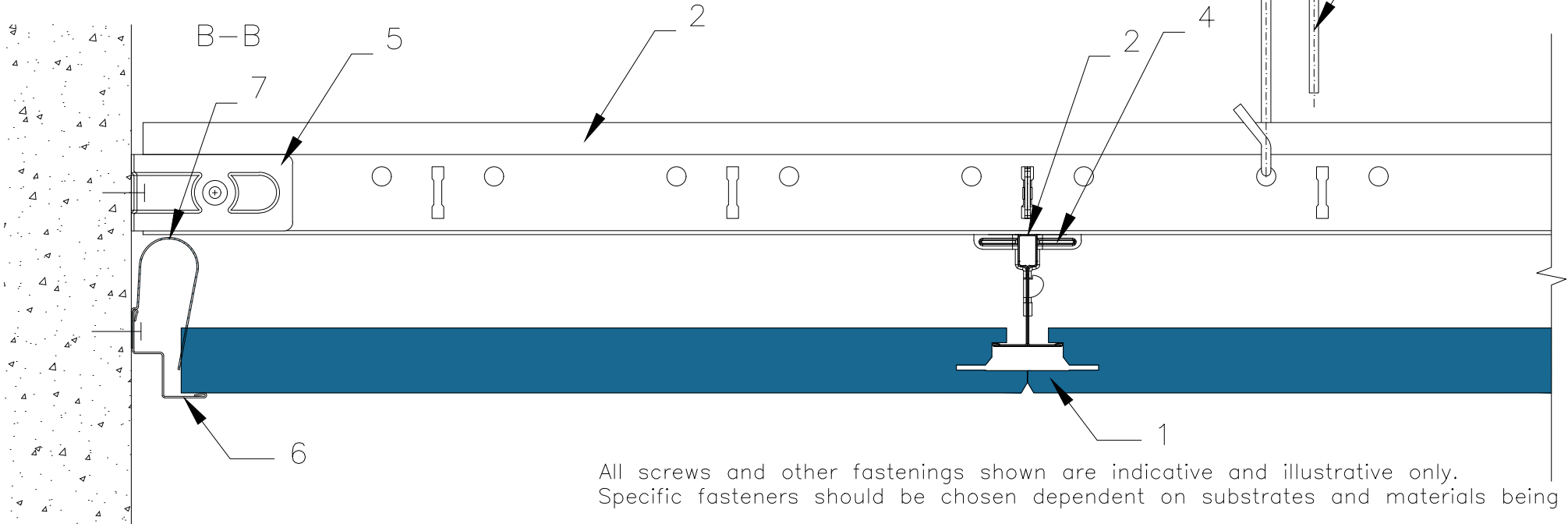


1. Tile ROCKFON, edge X1
2. Mainrunner T24 C/H38 3600 white
3. Adjustable hanger
4. DLC clip
5. Angle bracket for coff frame
6. Shadow trim RFN1015
7. Wall Spring Fixt



All screws and other fastenings shown are indicative and illustrative only. Specific fasteners should be chosen dependent on substrates and materials being used.

<b>Information:</b>    We kindly draw your attention to the fact that the above drawings should be considered as guidelines and therefore are without responsibility on the part of Rockfon.	<b>Date:</b> 27.01.2017	<b>Drawing Type:</b>	
	<b>Drawing No.:</b> 24.1.5.Rockfon T24 X DLC	<b>Drawn by:</b>	<b>Scale:</b> 1:2
	<b>Contact Information:</b>		

