

Rockfon[®] Metalscapes[™]

Wire Mesh Panels

Products

- Wire mesh panels constructed of stainless steel or carbon steel
- 8 stainless steel patterns
- 6 carbon steel options
- Available as 2' x 2' or 2' x 4' panels

Applications

- Create durable, airy spaces for interior areas
- Retail stores
- Hospitality
- Transportation facilities



Rockfon® Metalscapes™

Wire Mesh Panels

LEED® v4.1 Highlights

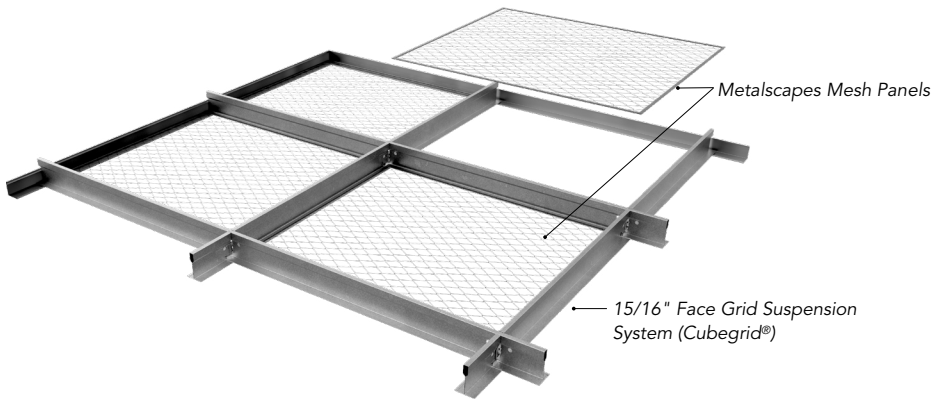
Materials and Resources (MR)

- Waste Management Planning ✓
- Interiors Life Cycle Impact Reduction ✓
- Environmental Product Declarations ✓
- Sourcing of Raw Materials ✓
- Material Ingredients -
- Waste Management ✓

Indoor Environmental Quality (EQ)

- Low-Emitting Materials ✓
- Interior Lighting -
- Acoustic Performance ✓

Recycled Content 85%



Metalscapes™ Carbon Steel Panels



Detail	Description	Product Number	Panel Size	Material	Open Area %	Wire Diameter	Lbs. per SFT	Fire Class	Recycled Content
	Aberdeen	60023.xx	2' x 2'	Carbon Steel	44%	.040" x .048"	0.56	A	85%
		60024.xx	2' x 4'						
	Erlanger	60025.xx	2' x 2'	Carbon Steel	62%	.08"	0.35	A	85%
		60026.xx	2' x 4'						
	Frankfort	60027.xx	2' x 2'	Carbon Steel	70%	.082"	0.38	A	85%
		60028.xx	2' x 4'						
	Scales	60029.xx	2' x 2'	Carbon Steel	70%	.365"	0.38	A	85%
		60030.xx	2' x 4'						
	Armor	60031.xx	2' x 2'	Carbon Steel	21%	.08"	1.00	A	85%
		60032.xx	2' x 4'						
	Lattice	60033.xx	2' x 2'	Carbon Steel	50%	0.051	0.56	A	85%
		60034.xx	2' x 4'						

Carbon Steel panels are factory painted in choice of Standard, Premium, RAL, or Custom Colors.

Rockfon recommends the use of the Cubegrid® 360 degree painted 15/16" Suspension System for best appearance.

Panels should not be installed in 9/16" face grid suspension.

Rockfon® Metalscapes™

Wire Mesh Panels

LEED® v4.1 Highlights

Materials and Resources (MR)

- Waste Management Planning ✓
- Interiors Life Cycle Impact Reduction ✓
- Environmental Product Declarations ✓
- Sourcing of Raw Materials ✓
- Material Ingredients -
- Waste Management ✓

Indoor Environmental Quality (EQ)

- Low-Emitting Materials ✓
- Interior Lighting -
- Acoustic Performance ✓

Recycled Content 85%



Metalscapes™ Stainless Steel Panels

Detail	Description	Product Number	Panel Size	Material	Open Area %	Wire Diameter	Lbs. per SFT	Fire Class	Recycled Content
	Appalachian	60015.xx	2' x 2'	Stainless Steel*	89%	0.120	1.21	A	85%
	Alps	60016.xx	2' x 2'	Stainless Steel*	52%	.062"	1.05	A	85%
	Everest	60017.xx	2' x 2'	Stainless Steel*	79%	0.162	1.20	A	85%
	Tyber	60022.xx	2' x 2'	Stainless Steel*	25%	.120"	1.22	A	85%
	Ural	60021.xx	2' x 2'	Stainless Steel*	66%	.162"	1.78	A	85%
	Atlas	60020.xx	2' x 2'	Stainless Steel*	51%	.80"	1.22	A	85%
	Rockies	60018.xx	2' x 2'	Stainless Steel	52%	.080" x .054"	1.38	A	85%
	Hood	60019.xx	2' x 2'	Stainless Steel*	57%	.080" x .047"	1.13	A	85%

For best appearance, install with Rockfon 730 Stainless Steel Grid Suspension System.

Stainless steel panels are not painted.

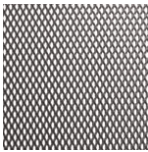
* Also available as painted carbon steel panels.

Rockfon® Metalscapes™

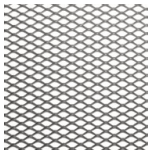
Wire Mesh Panels

Carbon Steel Panels

Aberdeen
44% Open Area



Erlanger
62% Open Area



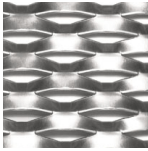
Frankfort
70% Open Area



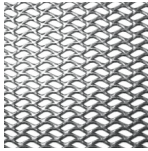
Scales
70% Open Area



Armor
21% Open Area



Lattice
50% Open Area

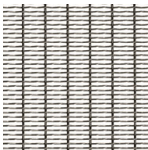


Stainless Steel Panels

Appalachian
89% Open Area



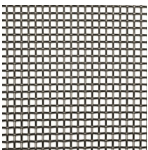
Alps
52% Open Area



Everest
79% Open Area



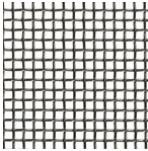
Tyber
25% Open Area



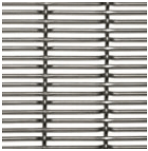
Ural
66% Open Area



Atlas
51% Open Area



Rockies
52% Open Area

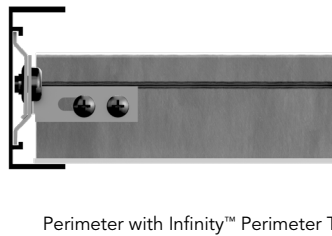
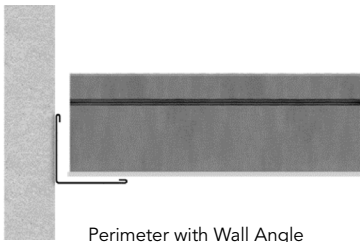
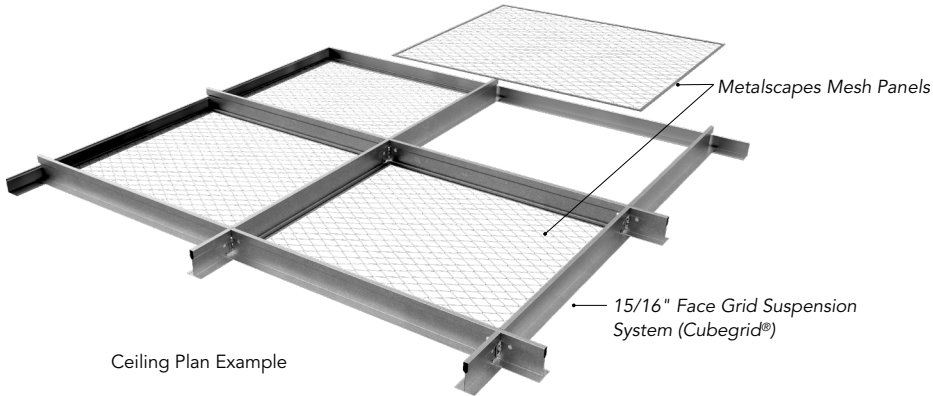


Hood
57% Open Area



Rockfon® Metalscapes™

Wire Mesh Panels



Physical Data	
Type	Lay-In Panel
Material	Painted Carbon Steel Wire or Stainless Steel Wire
Size	Carbon Steel panels 2' x 2' or 2' x 4'; Stainless Steel 2' x 2' only
Fire	Class A: Flame 0, Smoke 0 per ASTM E-84
Performance	Interior Applications
Suspension	15/16" face suspension, Cubegrid 360 degree painted 15/16" grid
Warranty	1 Year Limited
Sustainability	85% recycled content, 100% locally recyclable

For increased acoustical performance within the space, use Rockfon® Cinema Black™ panels as an acoustical backer.

Product 1200 for 2' x 2' panels, and product 1201 for 2' x 4' panels.

Metalscapes™ Wire Mesh Panels Color Chart

Standard Colors:



01
White



08
Black



44
Satin Silver



888
Winchester
Grey

Premium Colors:



Color
Chart



Custom
(Color Match)

Metalwood® Coordinating Painted Finishes*:



401
Maple*



402
Oak*



403
Cherry*



404
Pumpkin
Maple*



405
Karri*



406
Walnut*

* Coordinating solid color to match Metalwood Woodgrain Finishes.

Colors shown are reproduced as close as possible to actual product color within the limitations of printing technology. Color chips are available upon request and should be reviewed before making a final selection. Variations in color matches of system components to ceiling panels can result from slight differences in texture, room lighting, painting process and subjectivity of observers.



Rockfon® Metalscapes™ Properties

Material

Galvanized steel wire - factory painted, or stainless steel wire



Fire Performance

Surface burning characteristics:
UL723 (ASTM E84) Flame Spread Index: 0
Smoke Developed Index (UL Labeled): 0



Environment

85% recycled content



Warranty

1-Year Limited Product Warranty
See rockfon.com



Hygiene

Metal provides no sustenance
to microorganisms



Cleaning

Damp cloth

120921

Rockfon

4849 S. Austin Ave.
Chicago, IL 60638 USA