

Rockfon® Infinity™ Engineered

Features & Benefits

- Finish edge trim for interior suspended ceiling perimeters
- Manufactured and finished in straight or curved lengths to designer specifications with square cut or mitered ends
- Variety of height and finish options available
- Integrates with Chicago Metallic® Ceiling Suspension, Rockfon Stone Wool Ceiling Panels, Rockfon Metal Ceiling systems and industry standard T-Bar grid

Applications

- Ceiling projections
- Free-floating islands
- Light covers
- Ceiling height transitions



Project – Madison Area Technical College, Madison, WI, USA
Product – Rockfon® Infinity™ Engineered

Rockfon® Infinity™ Engineered

LEED® v4.1 Highlights

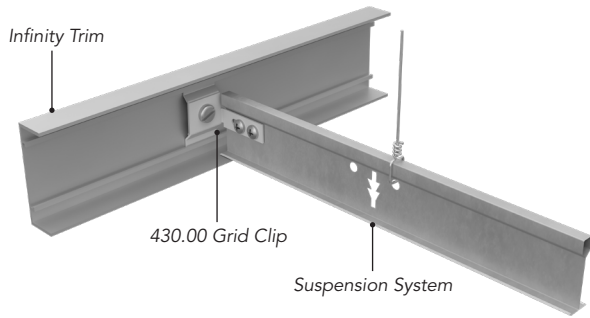
Materials and Resources (MR)

Waste Management Planning	✓
Interiors Life Cycle Impact Reduction	✓
Environmental Product Declarations	✓
Sourcing of Raw Materials	✓
Material Ingredients	–
Waste Management	✓

Indoor Environmental Quality (EQ)

Low-Emitting Materials	✓
Interior Lighting	–
Acoustic Performance	–

Recycled Content 85%



Family Number & Name	Profile	Dimensions		Material	Fire Class	Low VOC	Recycled Content
		Height	Flanges				
Straight Infinity INFC:STD 252565		2"	3/4"	Extruded Aluminum	A	Yes	85%
		4"	3/4"				
		6"	3/4"				
		8"	3/4"				
		10"	3/4"				
		12"	3/4"				
Curved Infinity* INFC:STD 252566		2"	3/4"	Extruded Aluminum	A	Yes	85%
		4"	3/4"				
		6"	3/4"				
		8"	3/4"				
		10"	3/4"				
		12"	3/4"				



Product Code Example:

INFC:STD:6":44:None

Family Number	Height	Color
INFC:STD	6"	44
Standard Curved Infinity		Satin Silver

* Minimum Radius on Curved Infinity is 18".

Engineered Product available as straight, curved or a combination of both.

Submittal drawings are required for all Engineered Infinity projects.

Unpainted galvanized grid clips, splices, and corner splices included on Engineered projects.

Infinity™ Color Chart

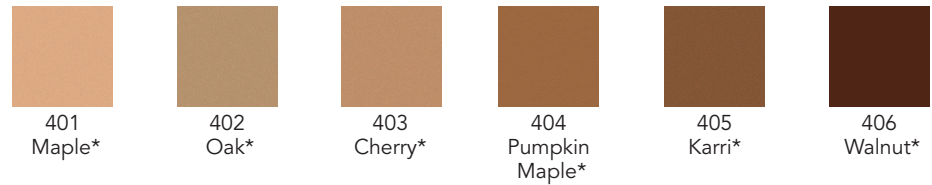
Standard Colors:



Premium Colors:



Metalwood® Coordinating Painted Finishes*:



Woodscenes® Painted Finishes†:



* Metalwood Woodgrain Finishes unavailable on Infinity products; use coordinating solid finish.

† Woodscenes Woodgrain Finishes are a decorative powder coat finish that replicate real wood; variations in color and pattern will occur.

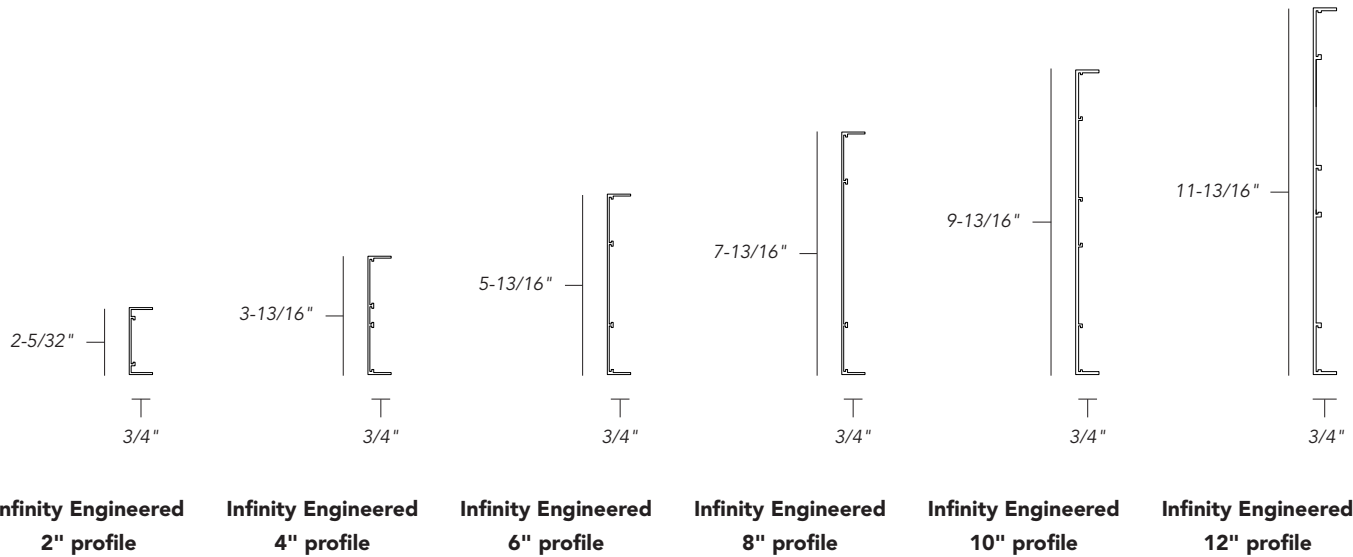
Note:

- Woodscenes Woodgrain Painted Finishes are applied parallel to the length of the trim.
- See rockfon.com for more information on color options.

Colors shown are reproduced as close as possible to actual product color within the limitations of printing technology. Color chips are available upon request and should be reviewed before making a final selection. Variations in color matches of system components to ceiling panels can result from slight differences in texture, room lighting, painting process and subjectivity of observers.

Rockfon® Infinity™ Engineered

Profile Sizes - Available Straight or Curved

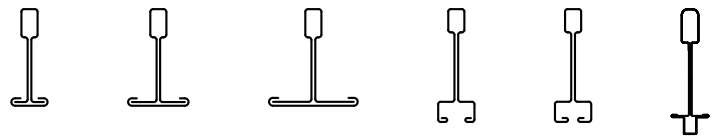


Compatibility

Infinity Engineered Straight Standard Profile and Infinity Engineered Curved Standard Profile are compatible with:

- Chicago Metallic® Ceiling Suspension systems
- Rockfon Metal Ceiling suspension systems
- Industry standard T-Bar grid systems

See datasheets of Chicago Metallic Ceiling Suspension systems and Rockfon Metal Ceiling systems for more information.



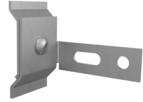
Chicago Metallic Grid Profiles

Rockfon® Infinity™ Engineered

Accessories



414.00 Straight Splice
Splices Perimeter Trim Sections
312033



430.00 Grid Clip
Suspension to Trim
312035



417.00 Inside Corner Splice
For Splicing at Inside Corners
249359



429.00 Outside Corner Splice
For Splicing at Outside Corners
249360



446.36.000 Paired Infinity
Bracket 2" for 3/4" Reveal
249545



446.46.00 Paired Infinity
Bracket 3" for 1-3/8" Reveal
249546



End Cap for Paired Infinity
(per order)
252595



Infinity to Concealed Panels
(per order)
448.9xxx/252596



448.940
Infinity to Planar Clip
252596

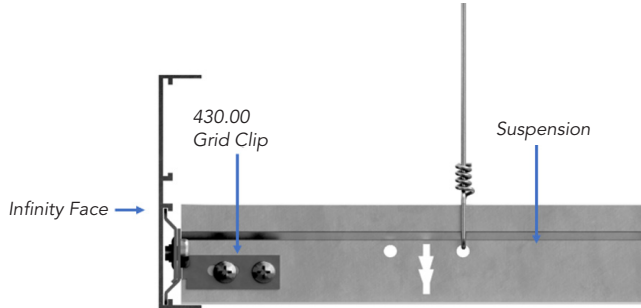


448.00
Infinity to Planostile Clip
249369

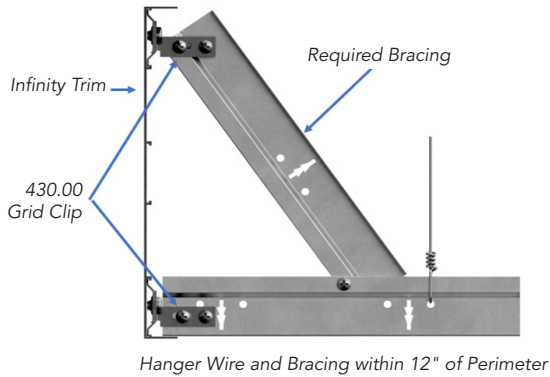
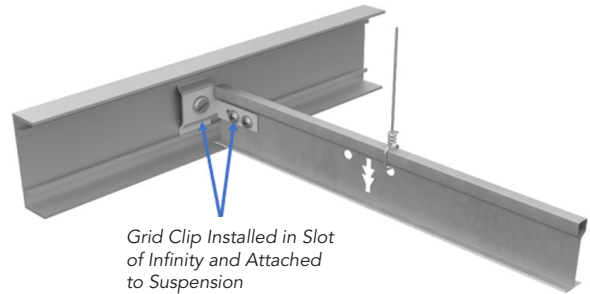
Grid Clip and Splice Plate Accessories Chart (accessories needed per Infinity Trim height - per 12' of Infinity Trim length)						
Accessory	Infinity Trim Height					
	2"	4"	6"	8"	10"	12"
Grid Clip						
430.00	6	6	6	6	6	6
Splice Plate - Square Cut Edge						
414.00	1	2	2	2	3	3
Corner Splice Plate						
417.00 - Inside	1	2	2	2	3	3
429.00 - Outside	1	2	2	2	3	3

Rockfon® Infinity™ Engineered

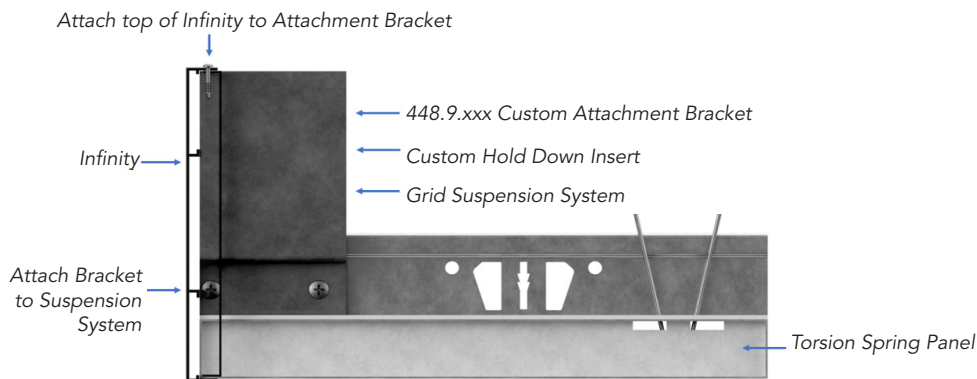
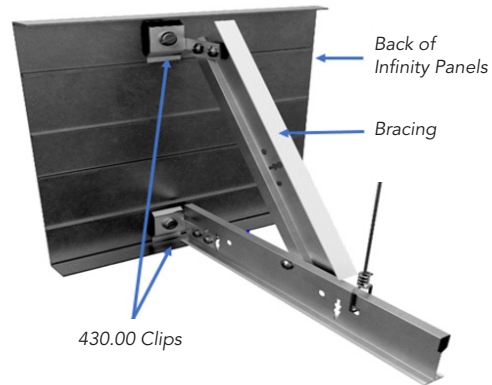
Installation Details



Standard Installation for 2" - 8" Infinity



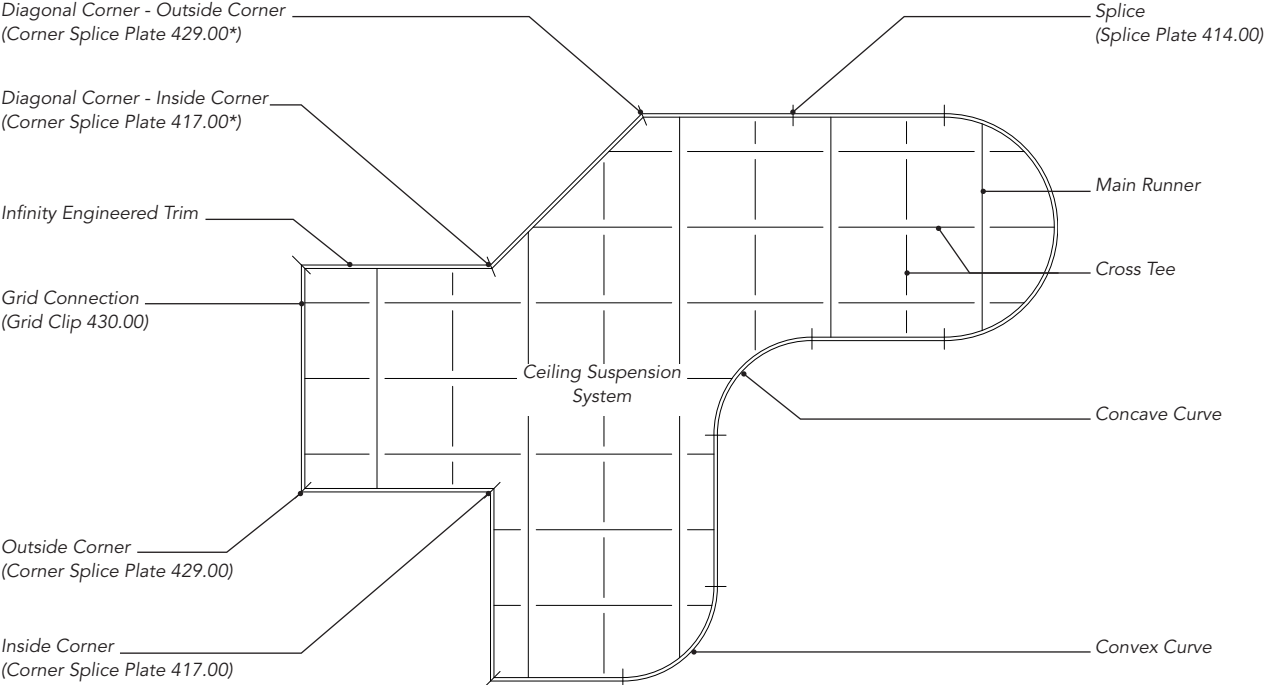
Installation for 10" and 12" Infinity



Concealed Panel Installation

Rockfon® Infinity™ Engineered

Reflective Ceiling Plan Example



* Field modify Corner Splice Plate to achieve desired angle greater than or less than 90°.



Rockfon® Infinity™ Engineered

Material

Extruded Aluminum



Fire Performance

Surface burning characteristics:
UL723 (ASTM E84) Flame Spread Index: 0
Smoke Developed Index (UL Labeled): 0



Environment

85% recycled content
100% locally recyclable



Warranty

1-Year Limited Product Warranty
See rockfon.com



Hygiene

Metal provides no sustenance
to microorganisms



Cleaning

Damp cloth

052622

Rockfon

4849 S. Austin Ave.
Chicago, IL 60638 USA