

Rockfon SpanAir™ Plank Hook-On Metal Panel Ceiling System

Primary Applications:

Create long-spanning, monolithic, and easily accessible, acoustically enhanceable ceilings for airports, passenger terminals, corridors, assembly halls, convocation centers and stadiums.

Features and Benefits:

- Planks are constructed of recycled aluminum
- Hook-On design utilizes simple grid-based suspension with J-bar on cross tees
- Hook-On planks for use in interior spaces
- Custom widths of 9" to 24", and in lengths of up to 120"
- Planks available in solid or perforated designs
- Hook-On design for downward accessibility without special tools
- Cutouts available to accommodate lighting, fire, audio and other services
- Planks contain no organic compounds that support mold or microbial growth
- Plank attributes may contribute to LEED® Certification project credits
- Perimeter gasket on two sides facilitates ease of plank removal, plank alignment and anti-vibration
- Enhanced acoustical performance with optional Acoutex™ or glass fiber backing
- 100% recycled content; recyclable at end of useful life
- Panels include end to end alignment feature

PRODUCTS

Material
<input type="checkbox"/> .040 recycled aluminum
Size
<input type="checkbox"/> width (9" to 24") _____
<input type="checkbox"/> length (48" to 120") _____
Surface
<input type="checkbox"/> Solid
<input type="checkbox"/> Standard perforation pattern
<input type="checkbox"/> D <input type="checkbox"/> E <input type="checkbox"/> R <input type="checkbox"/> V
<input type="checkbox"/> J <input type="checkbox"/> Q <input type="checkbox"/> AA
<input type="checkbox"/> Other

<input type="checkbox"/> Premium perforation pattern
<input type="checkbox"/> B <input type="checkbox"/> F <input type="checkbox"/> G <input type="checkbox"/> H <input type="checkbox"/> I <input type="checkbox"/> K <input type="checkbox"/> L <input type="checkbox"/> N
<input type="checkbox"/> O <input type="checkbox"/> P <input type="checkbox"/> W <input type="checkbox"/> Y <input type="checkbox"/> Z <input type="checkbox"/> AI <input type="checkbox"/> AJ <input type="checkbox"/> AK
Profile
<input type="checkbox"/> AMP aluminum (square edge)

Planks

Standard Painted Colors

- 01 White
- 08 Black
- 44 Satin Silver
- 888 Winchester Grey

Premium Painted Colors

- 701 Stone
- 702 Plaster
- 703 Gravel
- 704 Mastic
- 705 Zinc
- 706 Concrete
- 707 Tarmac
- 708 Anthracite
- 720 Stucco
- 721 Chalk
- 722 Linen
- 723 Hemp
- 724 Cork
- 725 Earth
- 726 Clay
- 727 Humus
- 740 Light
- 741 Sunrise

- 742 Fresh
- 743 Breeze
- 744 Aqua
- 745 Misty
- 746 Twilight
- 750 Chili
- 751 Curacao
- 752 Vitamin
- 760 Copper
- 761 Gold
- 762 Mercury
- 770 Garnet
- 771 Scarlet
- 772 Ermine
- 773 Emerald
- 795 Champagne Metallic
- 796 Beige Metallic
- 797 Iron Glimmer Metallic
- 798 Copper Metallic
- 401 Maple*
- 402 Oak*
- 403 Cherry*
- 404 Pumpkin Maple*
- 405 Karri*
- 406 Walnut*

MetalWood II Finishes

- 650R Maple
- 651R Cherry
- 652R Pumpkin Maple
- 653R Oak
- 654R Karri
- 655R Bamboo
- 656R Walnut

WoodScenes Painted Colors

- 800 Lazy Maple
- 801 Aged Teak
- 803 Burnished Cherry
- 804 Sleek Cherry
- 805 Weathered Oak
- 806 Barnwood Grey

* Coordinating solid color to match MetalWood® Woodgrain Finishes.

Accessories

- Acoutex™ acoustical backer
- Encapsulated acoustical pad in black only
- Wall channel
- Hold down insert for field cut panels

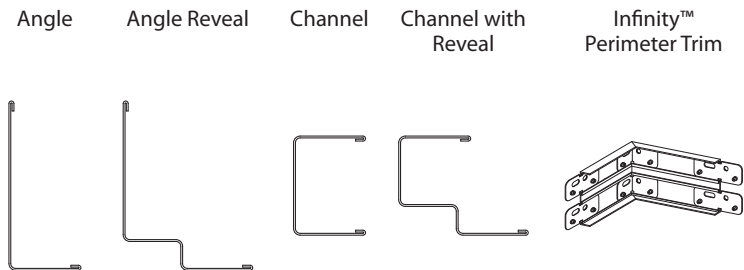
Rockfon SpanAir™ Plank Hook-On Metal Panel Ceiling System

PHYSICAL DATA

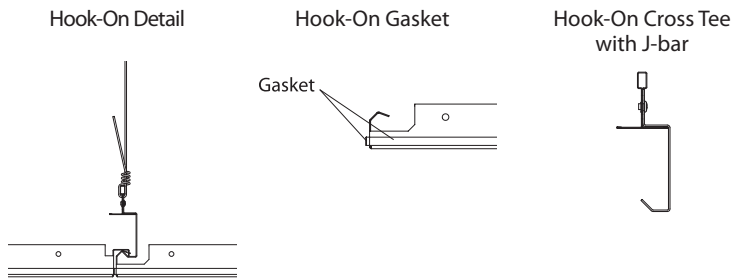
- Type:** Hook-On
- Material:** Painted or anodized aluminum
- Surface:** Solid and perforated
- Size:** Custom; width range—9" to 24", length range 48" to 120" (One inch increments)
- Edge detail:** Square with gasket on two sides
- Texture:** Smooth
- Fire:** Class A: flame 0, smoke 0 per ASTM E-84
- Sound:** NRC 0.70—perforated with Acoutex™ backer
NRC 0.90—perforated with acoustical bag
- Performance:** Interior environments*
- Suspension:** HD drywall main runner with factory-attached J bar to cross tees
- Classification:** Type = XX, pattern C, G ASTM E-1264
- Warranty:** 1-year limited
- Sustainability:** 100% recycled content (40% post-industrial). 100% locally recyclable at end of useful life

*Consult with engineer to evaluate suitability for intended application.

SECTIONS

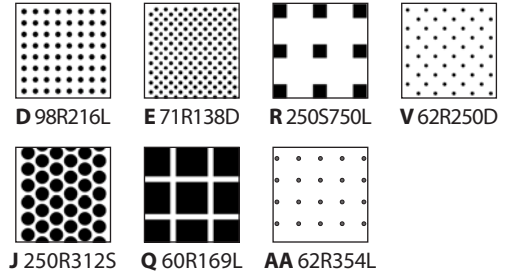


DETAILS

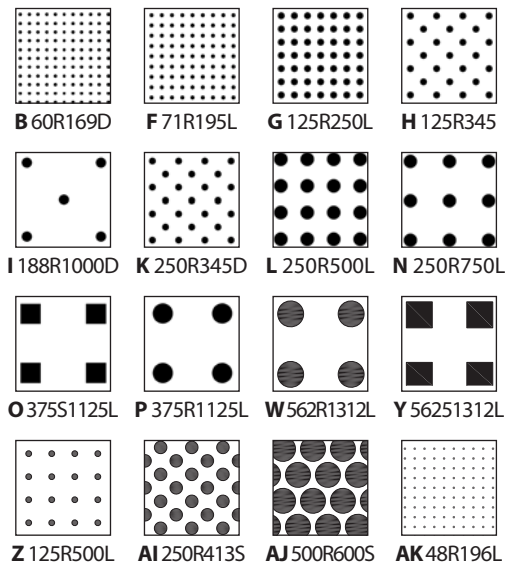


PERFORATION PATTERNS

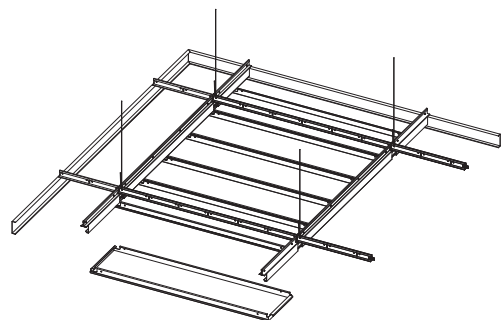
Standard



Premium



Ceiling Plan Example



ROCKFON, LLC 4849 SOUTH AUSTIN AVE., CHICAGO, IL 60638 / USA and Canada: 800-323-7164 / Fax: 800-222-3744 / rockfon.com