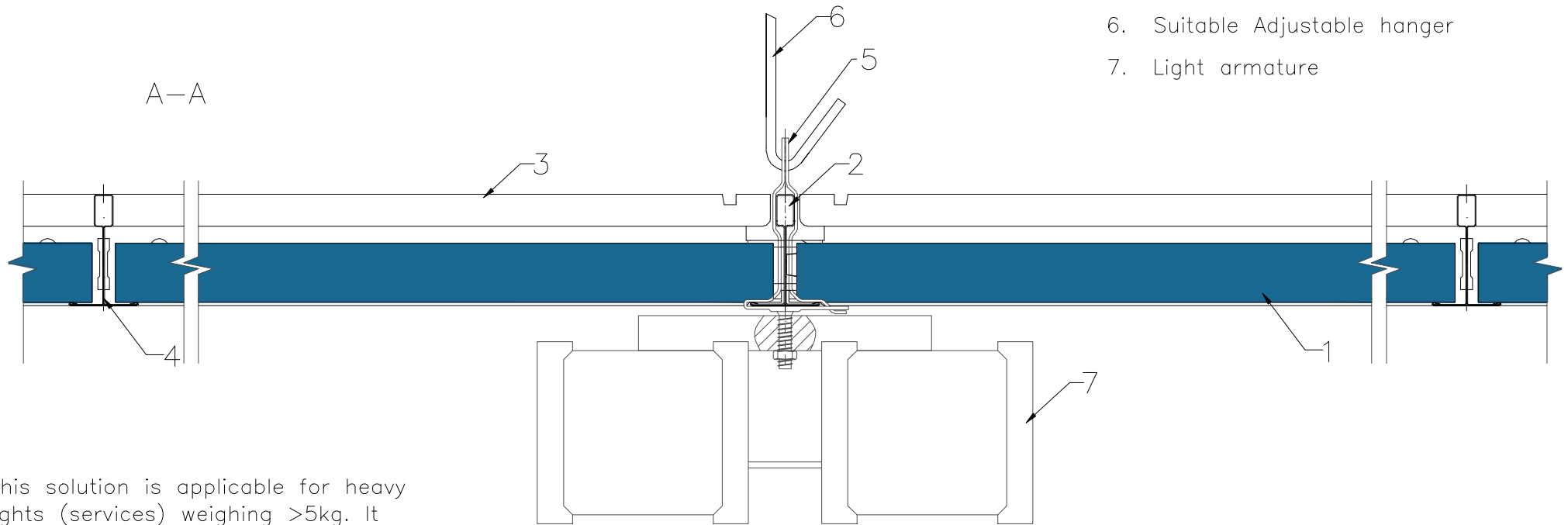


A-A



1. Tile ROCKFON, edge A
2. Mainrunner T24 C/H38 3600 white
3. Cross Tee T24 C38 1200 white
4. Cross Tee T24 C38 600 white
5. ERICO iDS clip or similar
6. Suitable Adjustable hanger
7. Light armature

This solution is applicable for heavy lights (services) weighing >5kg. It allows the transfer of the load directly to the soffit via grid system using ERICO iDS clips. The maximum load on the clip should not exceed 25kg.

All screws and other fastenings shown are indicative and illustrative only. Specific fasteners should be chosen dependent on substrates and materials being used.

Information: Light installation – surface mounted fixed to grid system	Date: 07.04.2014		Drawing Type:	
	Drawing No.: 4.1.2.Lighting–ventilation–etc.		Drawn by:	Scale: 1:2
	Contact Information:			

We kindly draw your attention to the fact that the above drawings should be considered as guidelines and therefore are without responsibility on the part of Rockfon.

**Rockfon**<sup>®</sup>