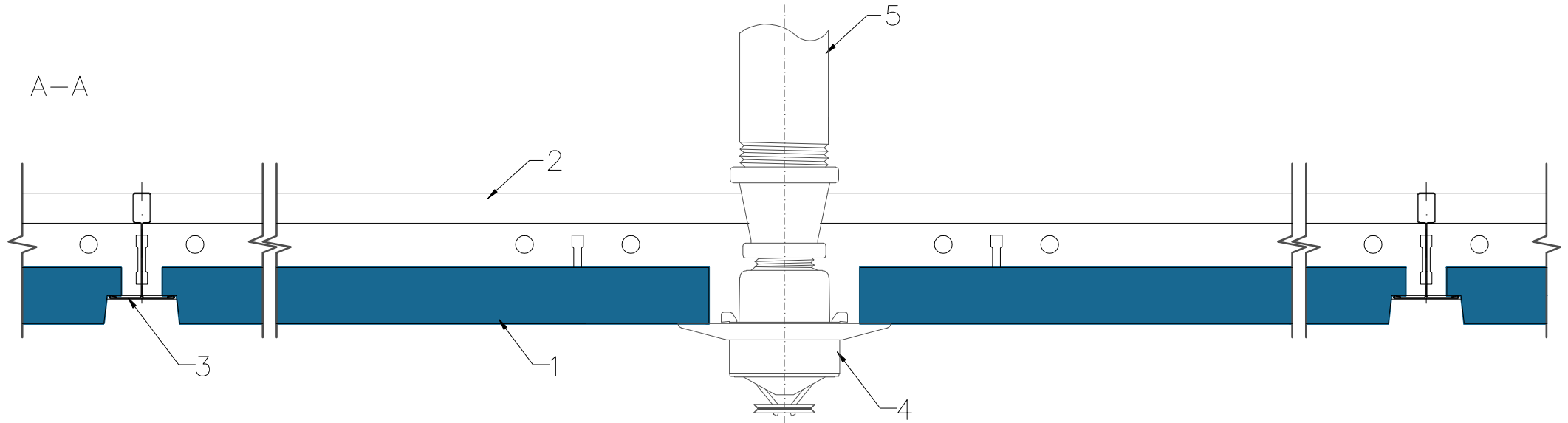


1. Tile ROCKFON, edge E
2. Mainrunner T24 C/H38 3600 white
3. Cross Tee T24 C38 1200 white
4. Sprinkler
5. Supply pipe



Cut hole in tile and attach  
sprinkler head to supply pipe.

All screws and other fastenings shown are indicative and illustrative only.  
Specific fasteners should be chosen dependent on substrates and materials being used.

Information: Sprinkler integration	Date: 10.04.2014		Drawing Type:	
	Drawing No.: 4.3.1.Lighting-ventilation-etc.		Drawn by:	Scale: 1:2
	Contact Information:			

We kindly draw your attention to the fact that the above drawings should be considered as guidelines and therefore are without responsibility on the part of Rockfon.

**Rockfon**<sup>®</sup>